

PRODUCT INFORMATION PACKET



Model No: SD114

Catalog No: SD114

7.5 HP Severe Duty Motor, 3 phase, 1200 RPM, 208-230/460 V, 254T Frame, TEFC
Other Severe Duty Motors



Regal and Century are trademarks of Regal Beloit Corporation or one of its affiliated companies.
©2019 Regal Beloit Corporation, All Rights Reserved. MC017097E

REGAL



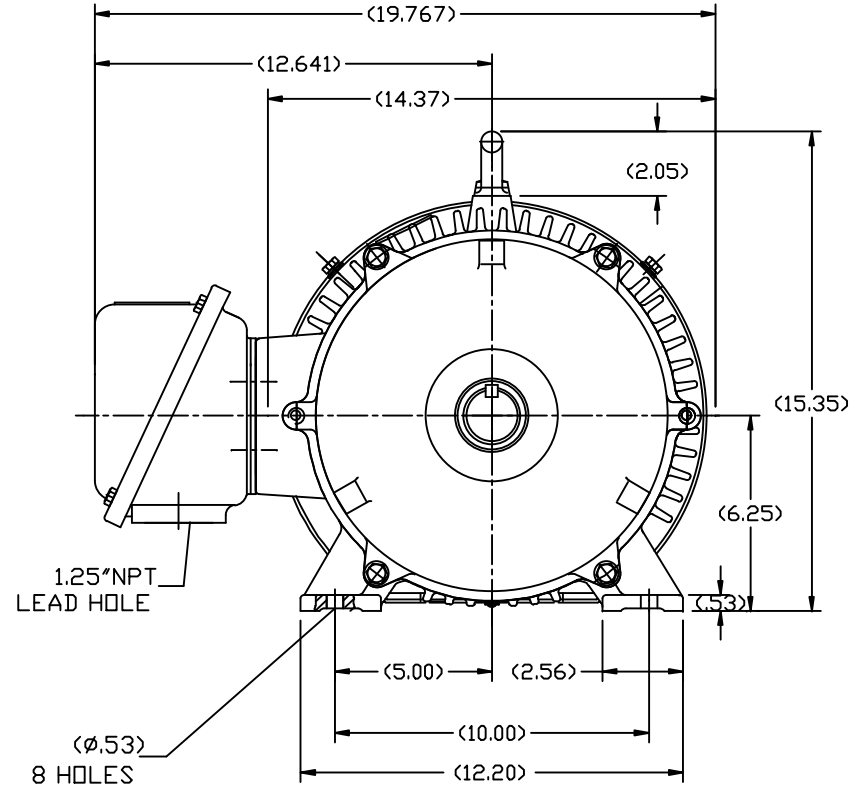
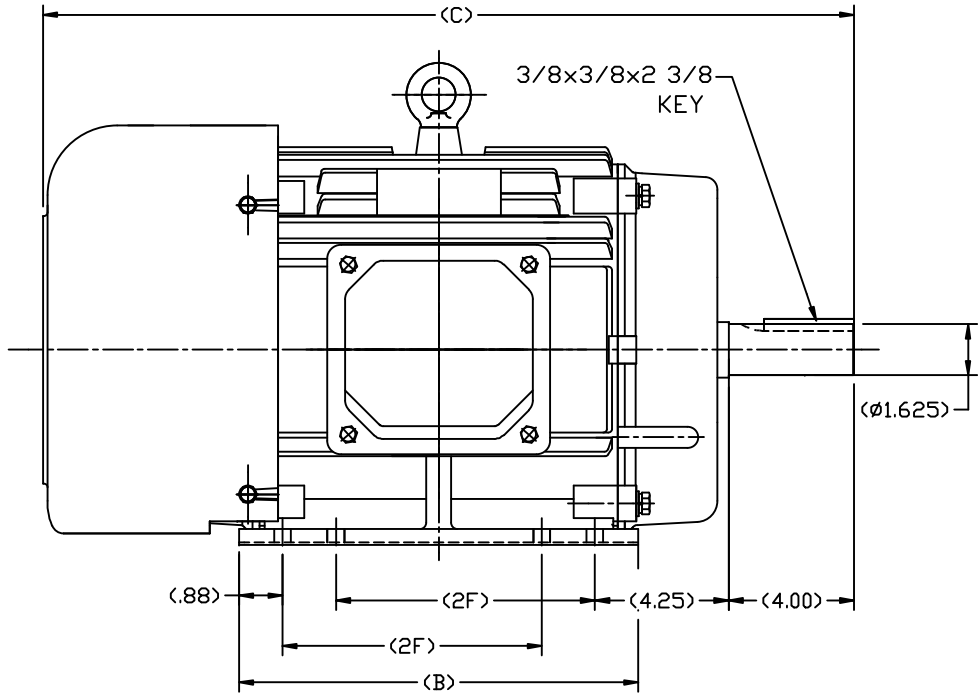
Nameplate Specifications

Output HP	7.5 Hp	Output KW	5.6 kW
Frequency	60 Hz	Voltage	208-230/460 V
Current	10.5 A	Speed	1182 rpm
Service Factor	1.15	Phase	3
Duty	Continuous	Insulation Class	F
Frame	254T	Enclosure	Totally Enclosed Fan Cooled
Thermal Protection	None	Ambient Temperature	40 °C
UL	Recognized	CSA	Y
CE	Y		

Technical Specifications

Electrical Type	POLYPHASE	Starting Method	Across The Line
Poles	6	Rotation	Reversible
Mounting	Rigid Base	Drive End Bearing	Ball
Opp Drive End Bearing	Ball	Frame Material	Cast Iron
Shaft Type	Keyed	Overall Length	26.66 in
Frame Length	11.41 in	Shaft Diameter	1.625 in
Shaft Extension	4 in		

This is an uncontrolled document once printed or downloaded and is subject to change without notice. Date Created:30/10/2019



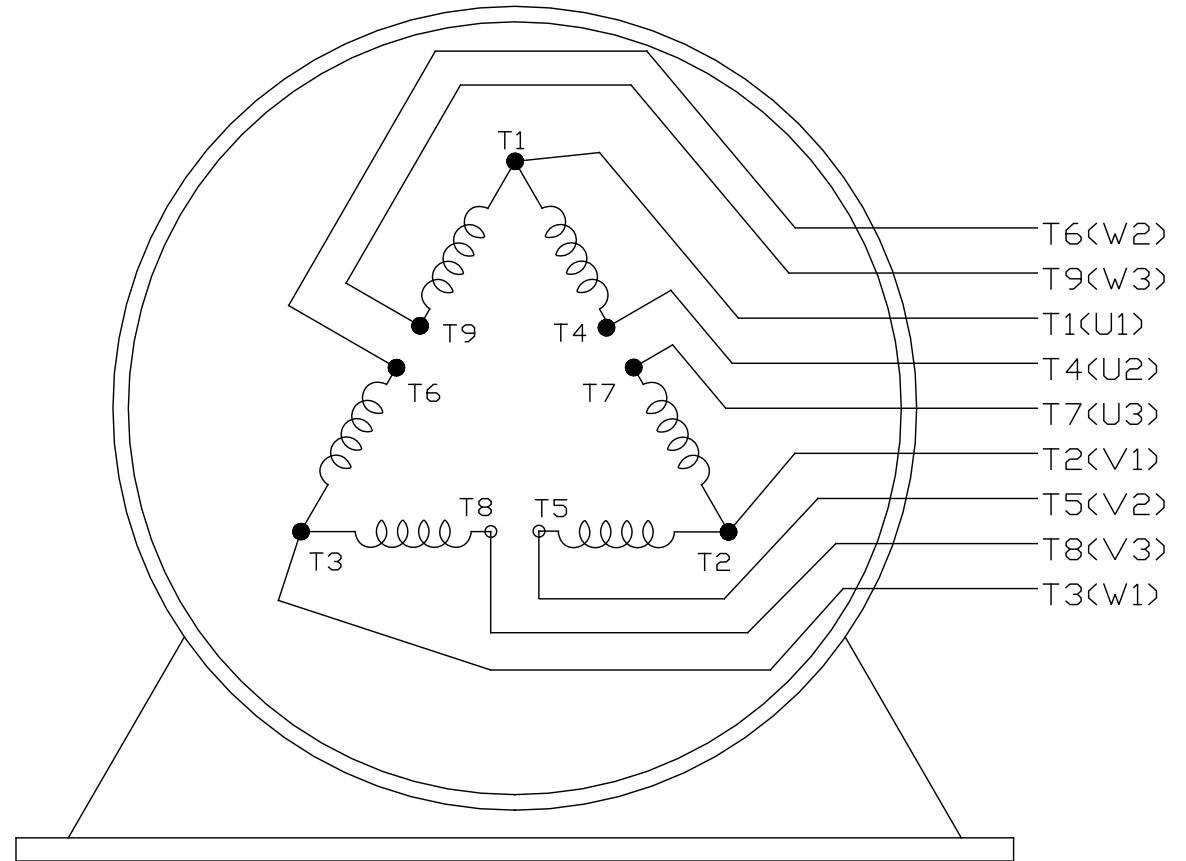
254	26.66	12.80	8.25
256	27.84	13.98	10.00
FRAME	C	B	2F

		TOLERANCES UNLESS SPECIFIED		REGAL REGAL-BELOIT CORPORATION	DRAWN				
		DEC.	INCHES		ZDU	7.17.2012			
		.X	±.1	TITLE 254/256T FR. TEFC-SEVERE DUTY	CHK				
		.XX	±.03		APPD				
		.XXX	±.005		SCALE				
		.XXXX	±.0005		REF				
NO.	REVISION	BY & DATE	CHK	MAT'L.	FMF				
			ANG	FINISH	PREV				
THIS DRAWING IN DESIGN AND DETAIL IS OUR PROPERTY AND MUST NOT BE USED EXCEPT IN CONNECTION WITH OUR WORK. ALL RIGHTS OF DESIGN AND INVENTION ARE RESERVED. THIS IS AN ELECTRONICALLY GENERATED DOCUMENT - DO NOT SCALE THIS PRINT				RFP	CAD FILE	SS620605	SIZE	DRAWING NO.	REV.
			DIST		B	SS620605			

LOW VOLTAGE



HIGH VOLTAGE



VIEW OF TERMINAL END

				TOLERANCES UNLESS SPECIFIED		REGAL REGAL-BELOIT CORPORATION		DRAWN PGK 06-04-1997		
NO.	REVISION	BY & DATE	CHK	ANG	±	FINISH	SIZE	DRAWING NO.	PAGE OF	REV.
E	CORRECTED IEC MARKINGS ECD-0111208	WGJ 01-23-2017	EMH	DEC.	INCHES					CHK ML 06-05-1997
D	RE-DRAWN WITH REGAL LOGO ECD-0110493	WGJ 09-30-2016	EMH	.X	±.1					APPD GK 06-15-1997
8	ADDED IEC DESIGNATIONS MU95020	TJW 4/30/2010	MJS	.XX	±.02	TITLE				SCALE
7	REVISD HIGH VOLTAGE L2 WAS L3 CN52600-354	MRB 09-21-1998		.XXX	±.005	CONNECTION DIAGRAM DELTA CON. - 3Ø - 9 LEADS				REF
6	REDRAWN ON CADD	PGK 06-05-1997		.XXXX	±.0005	MAT'L.				FMF
					±7'30"					PREV
THIS DRAWING IN DESIGN AND DETAIL IS OUR PROPERTY AND MUST NOT BE USED EXCEPT IN CONNECTION WITH OUR WORK ALL RIGHTS OF DESIGN AND INVENTION ARE RESERVED THIS IS AN ELECTRONICALLY GENERATED DOCUMENT - DO NOT SCALE THIS PRINT						RFP	CAD FILE EE7308K	A	EE7308K	E
						DIST				