

# PRODUCT INFORMATION PACKET



Model No: RS1050A

Catalog No: RS1050A

1/2 HP Fan and Blower HVAC/R Motor, 1 phase, 1800 RPM, 115/230 V, 48 Frame, OPEN  
Self Cooled Motors



Regal and Century are trademarks of Regal Beloit Corporation or one of its affiliated companies.

©2019 Regal Beloit Corporation, All Rights Reserved. MC017097E





**Nameplate Specifications**

Output HP	<b>1/2 Hp</b>	Output KW	<b>0.37 kW</b>
Frequency	<b>60 Hz</b>	Voltage	<b>115/230 V</b>
Current	<b>8.6/4.3 A</b>	Speed	<b>1725 rpm</b>
Service Factor	<b>1</b>	Phase	<b>1</b>
Duty	<b>Continuous</b>	Insulation Class	<b>B</b>
Frame	<b>48</b>	Enclosure	<b>Open Enclosed</b>
Thermal Protection	<b>Automatic</b>	Ambient Temperature	<b>40 °C</b>
UL	<b>No</b>	CSA	<b>Y</b>
CE	<b>N</b>		

**Technical Specifications**

Electrical Type	<b>Capacitor Start Induction Run</b>	Starting Method	<b>Across The Line</b>
Poles	<b>4</b>	Rotation	<b>Reversible</b>
Mounting	<b>Resilient Base</b>	Drive End Bearing	<b>Sleeve</b>
Opp Drive End Bearing	<b>Sleeve</b>	Frame Material	<b>Rolled Steel</b>
Shaft Type	<b>Flat</b>	Overall Length	<b>8.90 in</b>
Frame Length	<b>5.44 in</b>	Shaft Diameter	<b>0.500 in</b>
Shaft Extension	<b>1.62 in</b>		

This is an uncontrolled document once printed or downloaded and is subject to change without notice. Date Created:30/10/2019

THRU-BOLT & BUSH COVER SCREW HEADS WERE SHOWN AS ROUND HEADS  
 PD 18364  
 12-13-85  
 5/14/86  
 3/25/80  
 5/11/86  
 6/21/82  
 7  
 CHANGED DECAL AND MANUAL THERMO BUTTON NOTES:  
 92 GROSZLI  
 B. BISER 6-2-92  
 6/21/92  
 8  
 FOZ ADDED GROUND LEAD  
 0044046  
 3/20/01  
 K. GORDON  
 9

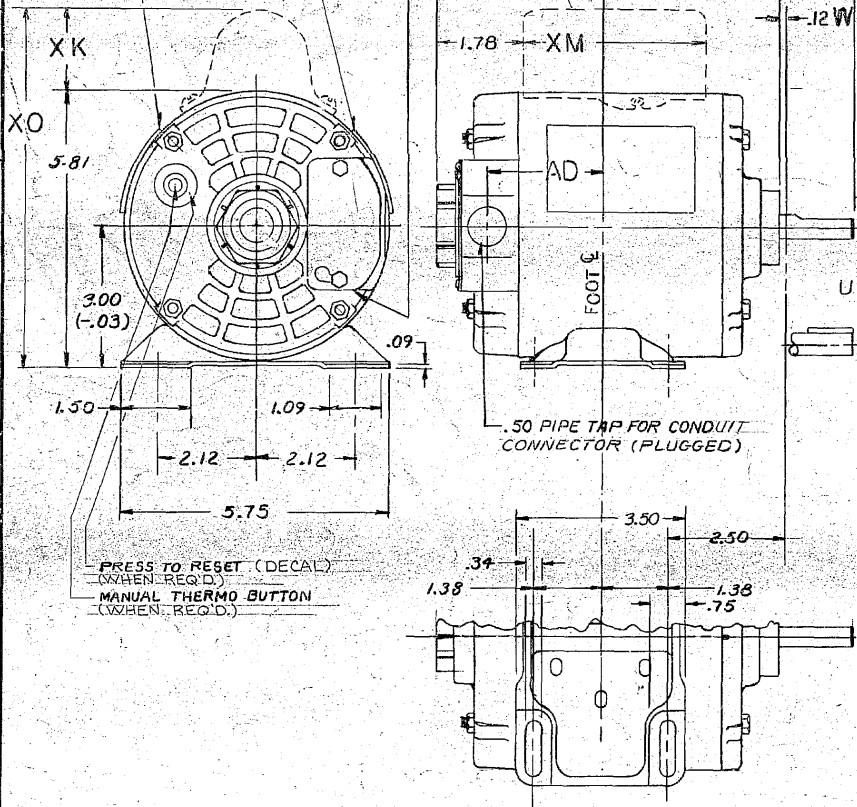


FIG. 1 RIGID MOUNTING

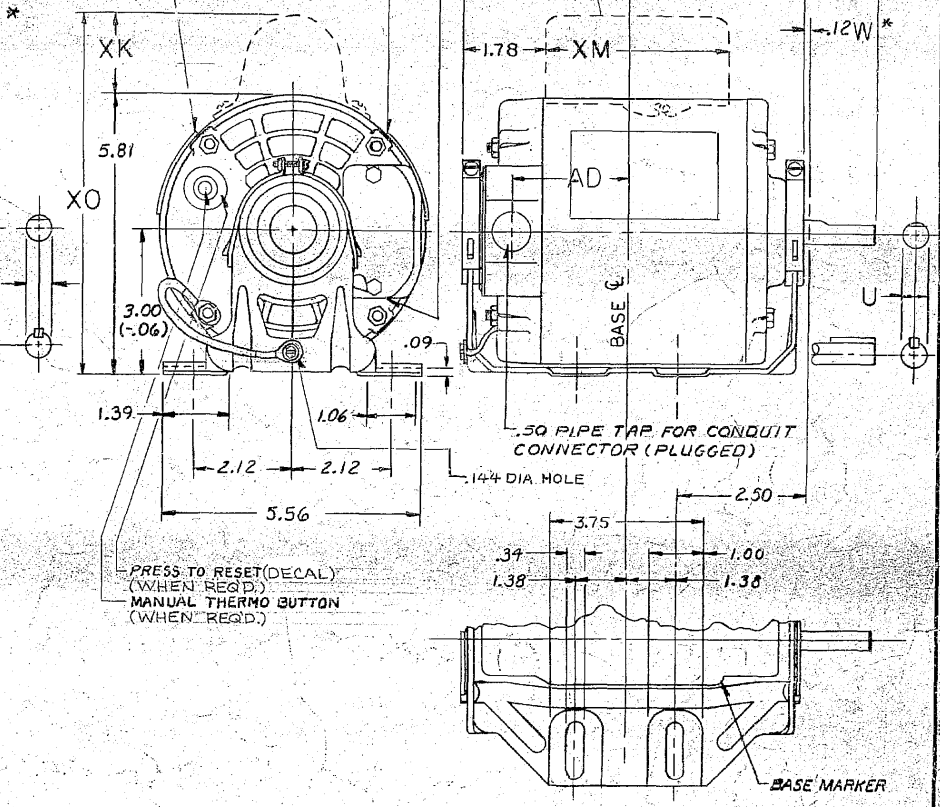


FIG. 2 RESILIENT MOUNTING

FRAME NO.	SHAFT DIA. U	FLAT OR KEYWAY WIDTH	KEYWAY DEPTH	KEYWAY LENGTH	C	L	N	N-W	AD	XO	CAR HSG. DIMS	
											XK	XM
48	.50	FLAT	.05	1.12	8.90	3.53	1.62	1.50	2.47			
A48	.50	FLAT	.05	1.12	9.15	3.78	1.62	1.50	2.72	7.43	1.62	3.94
B48	.50	FLAT	.05	1.12	9.40	4.03	1.62	1.50	2.97	7.81	2.00	3.94
D48	.50	FLAT	.05	1.12	9.90	4.53	1.62	1.50	3.47	7.81	2.00	3.94
F48	.50	FLAT	.05	1.12	10.40	5.03	1.62	1.50	3.97	7.81	2.00	3.94
K48	.62	.19	.09	1.38	9.28	3.53	2.00	1.88	2.47			
AK48	.62	.19	.09	1.38	9.53	3.78	2.00	1.88	2.72	7.43	1.62	3.94
BK48	.62	.19	.09	1.38	9.78	4.03	2.00	1.88	2.97	7.81	2.00	3.94
DK48	.62	.19	.09	1.38	10.28	4.53	2.00	1.88	3.47	7.81	2.00	3.94
FK48	.62	.19	.09	1.38	10.78	5.03	2.00	1.88	3.97			

\* DIM "W" MAY VARY FROM THAT SHOWN, DUE TO VARIANCE IN CASTINGS & ASSEMBLY OPERATIONS.

▲ USUABLE SHAFT EXTENSION

⓪ THESE OVERALL HEIGHT DIM'S & CAPACITOR SIZES ARE THOSE NORMALLY USED ON MOST RATINGS. WHERE INTERFERENCE APPEARS LIKELY REFER TO LIMA WORKS FOR EXACT CAPACITOR HSG. NO. FOR THE PARTICULAR STYLE INVOLVED.

DIMENSIONS IN INCHES-SCALE		499-TOLERANCES-WHERE NONE ARE GIVEN-	
DEPTH	<i>et al</i>	10-17-84	3-PLACE DECIMALS - UNLESS OTHERWISE SPECIFIED
SUP. DIMS			3-PLACE DECIMALS - UNLESS OTHERWISE SPECIFIED
ENG. BY	<i>W. G. G.</i>	11-20-84	MFG. TOLERANCES PER LAMB
MFG.	<i>W. G. G.</i>	11-21-84	
REF. DWG.	<i>3696608</i>		
Westinghouse		DWG. NO.	
ELECTRIC CORPORATION		3923003	
LIMA, OHIO, USA			
LIMA MOTOR DIVISIONS			