

PRODUCT INFORMATION PACKET



Model No: PD1050AV1
Catalog No: PD1050AV1
1/2 HP Poultry Fan Motor, 1 phase, 1800 RPM, 115/208-230 V, 56 Frame, TEAO
Poultry Fan Motors



Regal and Century are trademarks of Regal Beloit Corporation or one of its affiliated companies.
©2019 Regal Beloit Corporation, All Rights Reserved. MC017097E





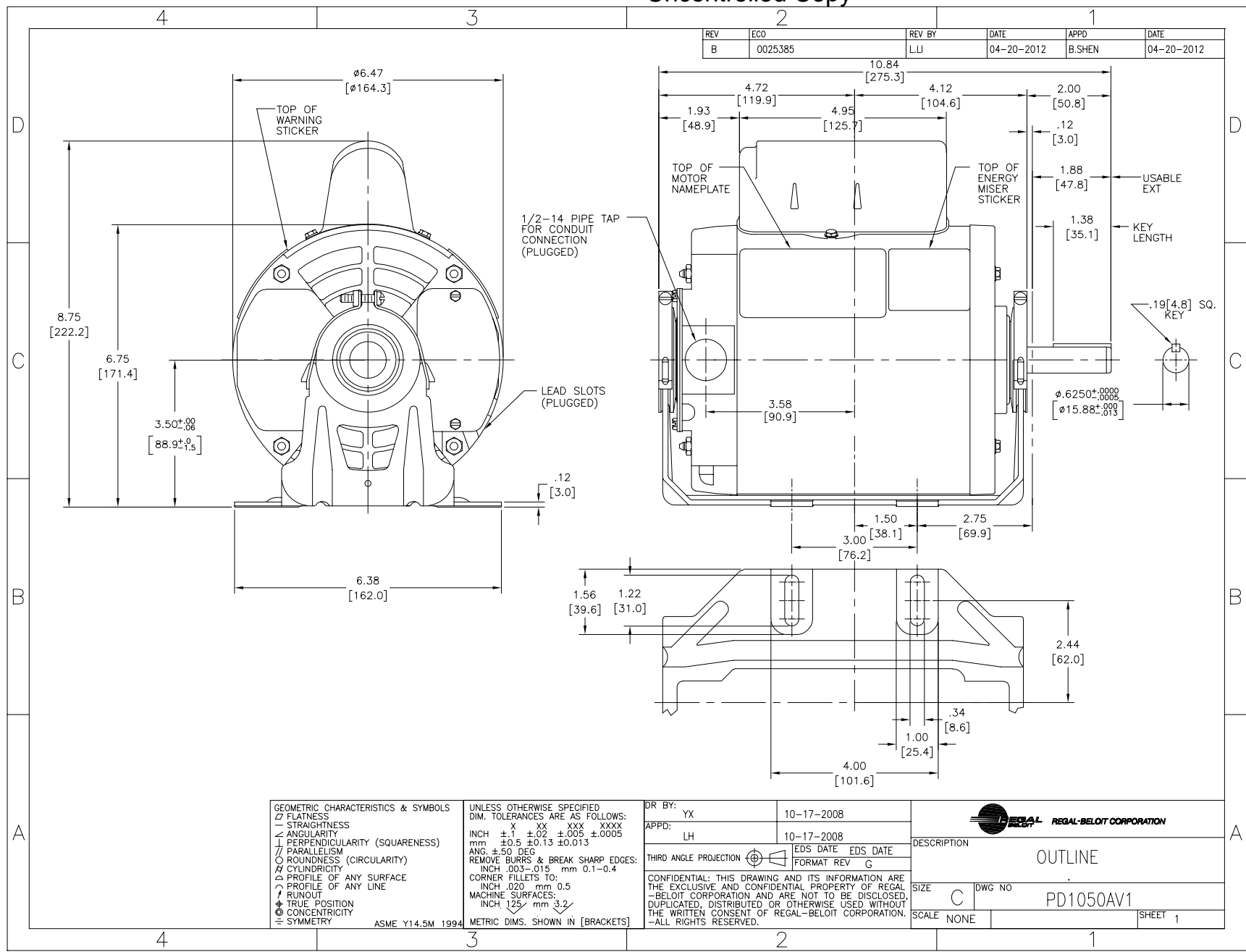
Nameplate Specifications

Output HP	1/2 Hp	Output KW	0.37 kW
Frequency	60 Hz	Voltage	115/208-230 V
Current	4.8/2.4 A	Speed	1725/1425 rpm
Service Factor	1.3	Phase	1
Duty	Continuous	Insulation Class	B
Frame	56	Enclosure	Totally Enclosed Air Over
Thermal Protection	Automatic	Ambient Temperature	40 °C
UL	No	CSA	Y
CE	N		

Technical Specifications

Electrical Type	Induction Start, Capacitor Run	Starting Method	Across The Line
Poles	4	Rotation	Reversible
Mounting	Resilient Base	Drive End Bearing	Ball
Opp Drive End Bearing	Ball	Frame Material	Rolled Steel
Shaft Type	Keyed	Overall Length	10.84 in
Frame Length	5.69 in	Shaft Diameter	0.625 in
Shaft Extension	2.00 in		

This is an uncontrolled document once printed or downloaded and is subject to change without notice. Date Created:30/10/2019



GEOMETRIC CHARACTERISTICS & SYMBOLS	
□	FLATNESS
-	STRAIGHTNESS
∠	ANGULARITY
⊥	PERPENDICULARITY (SQUARENESS)
∥	PARALLELISM
○	ROUNDNESS (CIRCULARITY)
⊘	CYLINDRICITY
⌒	PROFILE OF ANY SURFACE
⌒	PROFILE OF ANY LINE
⊕	RUNOUT
⊕	TRUE POSITION
⊙	CONCENTRICITY
⊖	SYMMETRY

UNLESS OTHERWISE SPECIFIED DIM. TOLERANCES ARE AS FOLLOWS:

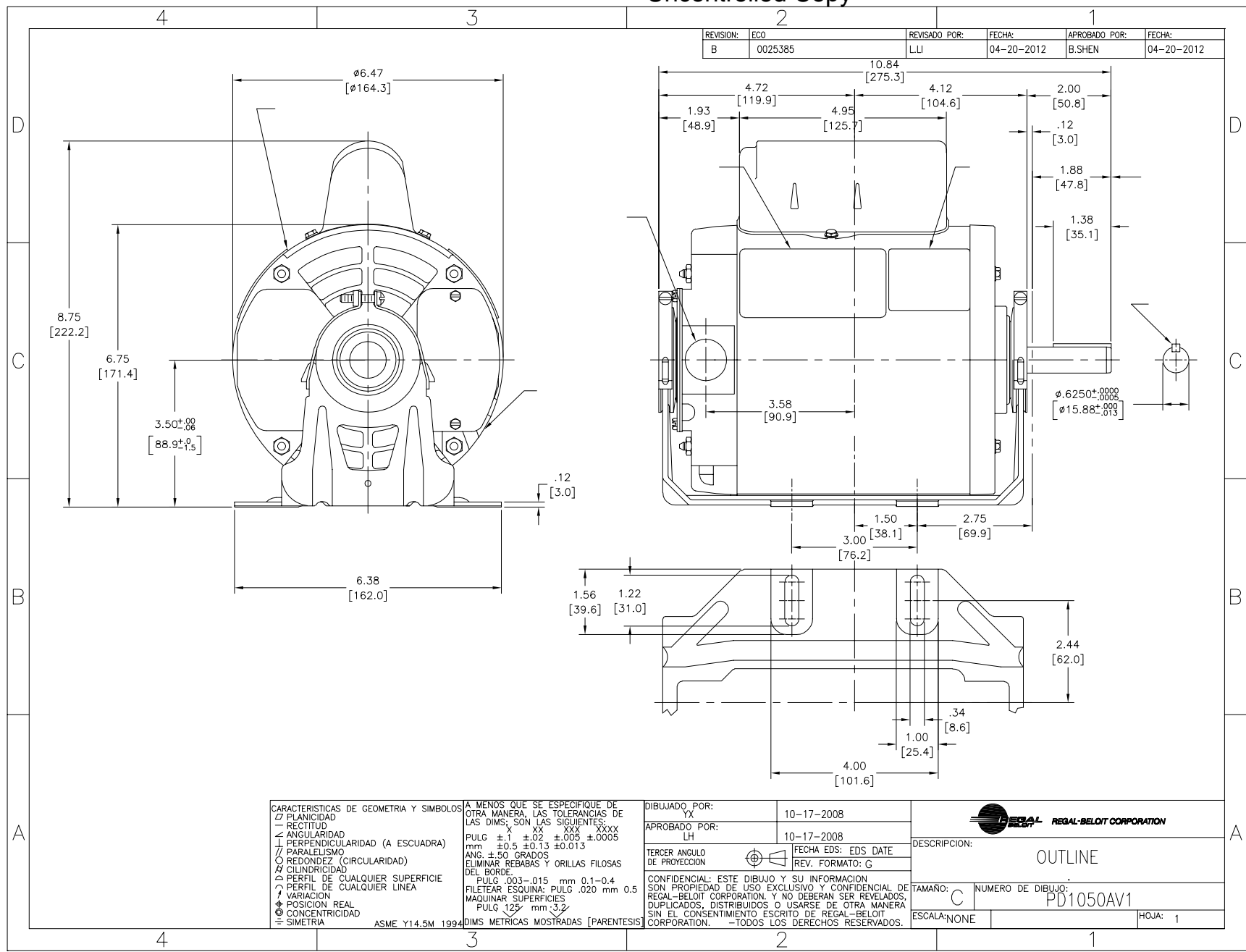
INCH	±.1	±.02	±.005	±.0005
mm	±0.5	±0.13	±0.013	

ANG. ±.50 DEG
REMOVE BURRS & BREAK SHARP EDGES:
INCH .003-.015 mm 0.1-.04
CORNER FILLETS TO:
INCH .020 mm 0.5
MACHINE SURFACES:
INCH 125 mm 3.2

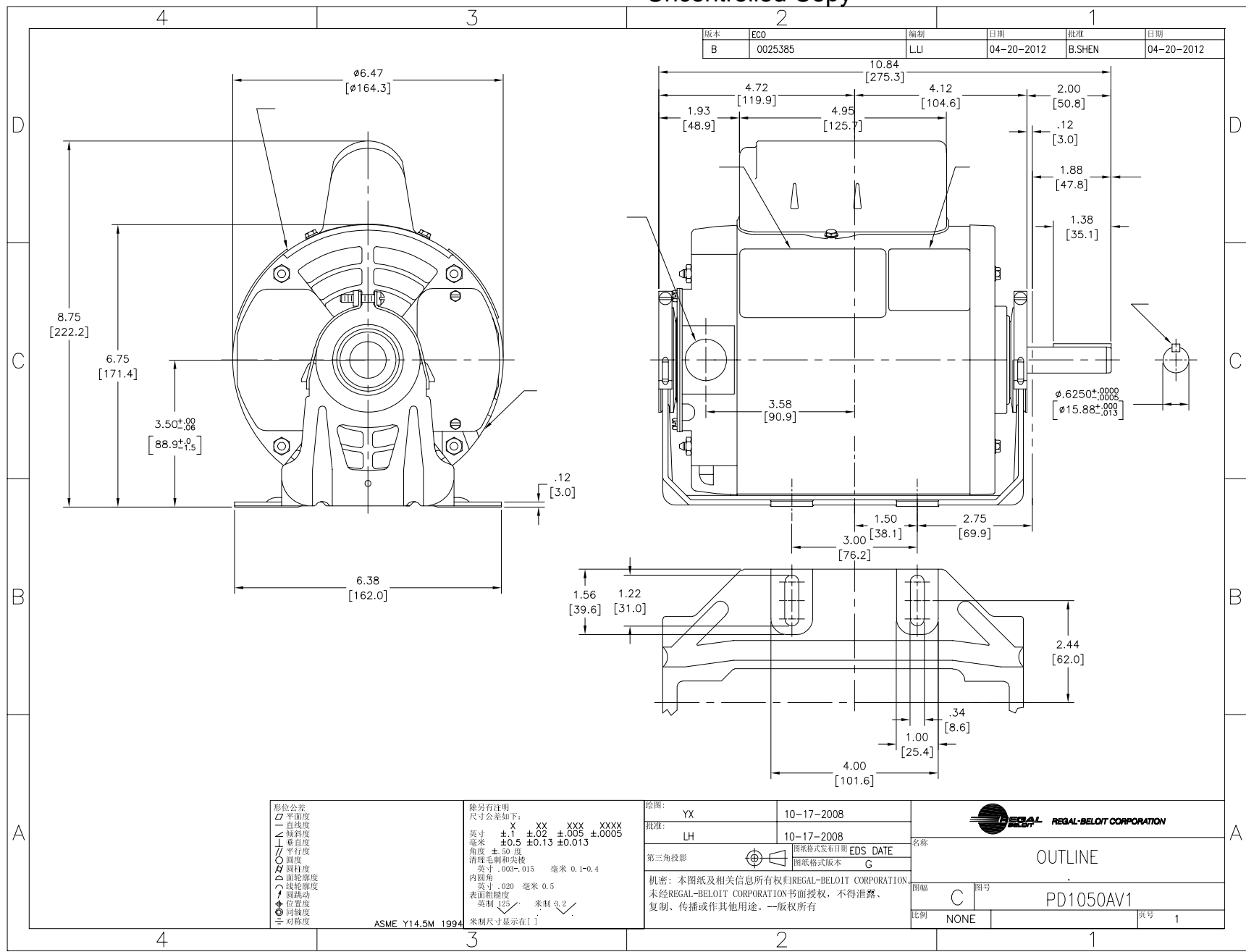
METRIC DIMS. SHOWN IN [BRACKETS]

DR BY:	YX	10-17-2008
APPD:	LH	10-17-2008
THIRD ANGLE PROJECTION		EDS DATE EDS DATE FORMAT REV C
CONFIDENTIAL: THIS DRAWING AND ITS INFORMATION ARE THE EXCLUSIVE AND CONFIDENTIAL PROPERTY OF REGAL-BELOIT CORPORATION AND ARE NOT TO BE DISCLOSED, DUPLICATED, DISTRIBUTED OR OTHERWISE USED WITHOUT THE WRITTEN CONSENT OF REGAL-BELOIT CORPORATION. -ALL RIGHTS RESERVED.		

		REGAL-BELOIT CORPORATION
DESCRIPTION		
OUTLINE		
SIZE	DWG NO	
C	PD1050AV1	
SCALE	NONE	SHEET 1

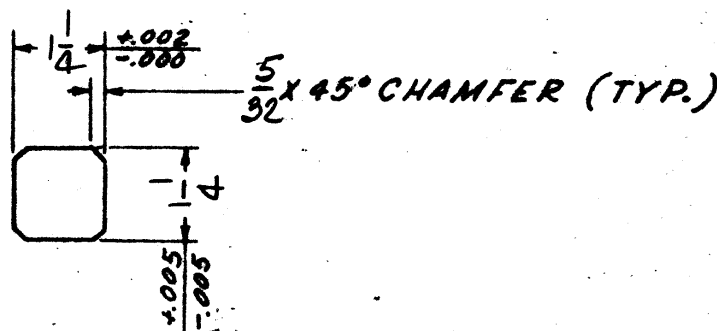
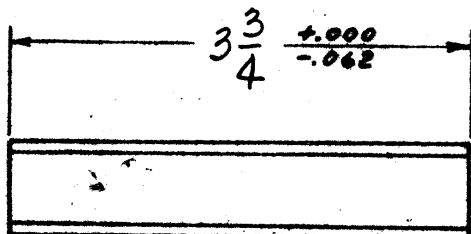


CARACTERISTICAS DE GEOMETRIA Y SIMBOLOS ▽ PLANICIDAD — RECTITUD ∠ ANGULARIDAD ⊥ PERPENDICULARIDAD (A ESQUADRA) // PARALELISMO ○ REDONDEZ (CIRCULARIDAD) ⌀ CILINDRICIDAD ⌒ PERFIL DE CUALQUIER SUPERFICIE ~ PERFIL DE CUALQUIER LINEA † VARIACION ⊕ POSICION REAL ⊙ CONCENRICIDAD ≡ SIMETRIA	A MENOS QUE SE ESPECIFIQUE DE OTRA MANERA, LAS TOLERANCIAS DE LAS DIMS. SON LAS SIGUIENTES: PULG ±.1 ±.02 ±.005 ±.0005 mm ±0.5 ±0.13 ±0.013 ANG. ±50 GRADOS ELIMINAR REBABAS Y ORILLAS FILOSAS DEL BORDE. PULG .003-.015 mm 0.1-0.4 FILETEAR ESQUINA: PULG .020 mm 0.5 MAQUINAR SUPERFICIES PULG 125 mm 3.2 DIMS METRICAS MOSTRADAS [PARENTESIS]	DIBUJADO POR: YX 10-17-2008	REGAL-BELOIT CORPORATION OUTLINE
		APROBADO POR: LH 10-17-2008	
		TERCER ANGULO DE PROYECCION (Symbol)	FECHA EDS: EDS DATE REV. FORMATO: C
		CONFIDENCIAL: ESTE DIBUJO Y SU INFORMACION SON PROPIEDAD DE USO EXCLUSIVO Y CONFIDENCIAL DE REGAL-BELOIT CORPORATION. Y NO DEBERAN SER REVELADOS, DUPLICADOS, DISTRIBUIDOS O USARSE DE OTRA MANERA SIN EL CONSENTIMIENTO ESCRITO DE REGAL-BELOIT CORPORATION. -TODOS LOS DERECHOS RESERVADOS.	
		TAMAÑO: C	NUMERO DE DIBUJO: PD1050AV1
		ESCALA: NONE	HOJA: 1



REVISIONS							SUPERSEDED BY		LIMITS UNLESS NOTED
BY	NO. CHGS.	DESCRIPTION	E.C. NO.	BY	DATE	CHKD.	SUPERSEDES		

LIMITS UNLESS NOTED	
FRACTIONAL DIMENSIONS	
BETWEEN FINISHED SURFACES	± .018
BETWEEN UNFINISHED SURFACES	± .040
BETWEEN FINISHED AND UNFINISHED SURFACES	± .040
BREAK ALL SHARP EDGES	.018 MAX.
ANGLES	± 1/2°



MAT'L = KEYSTOCK

SCANNED
"A-SIZE DRAWING"

SCALE <i>NONE</i>	DATE	GEAR PRODUCTS OPERATIONS HEWITT ROBINS	KEY-SPECIAL CHAMFERED	DWG. SIZE	785619785	REV.
DRAWN BY <i>S</i>	9-5-69					