

PRODUCT INFORMATION PACKET



Model No: P232M2

Catalog No: P232M2

2 HP Close-Coupled Pump Motor, 1 phase, 1800 RPM, 230/115 V, 182JP Frame, ODP
JP Motors



Regal and Century are trademarks of Regal Beloit Corporation or one of its affiliated companies.

©2019 Regal Beloit Corporation, All Rights Reserved. MC017097E

The REGAL logo consists of the word 'REGAL' in a bold, white, sans-serif font, set against a dark grey, trapezoidal background. This logo is positioned on a vertical blue gradient bar that runs down the right side of the page.

REGAL



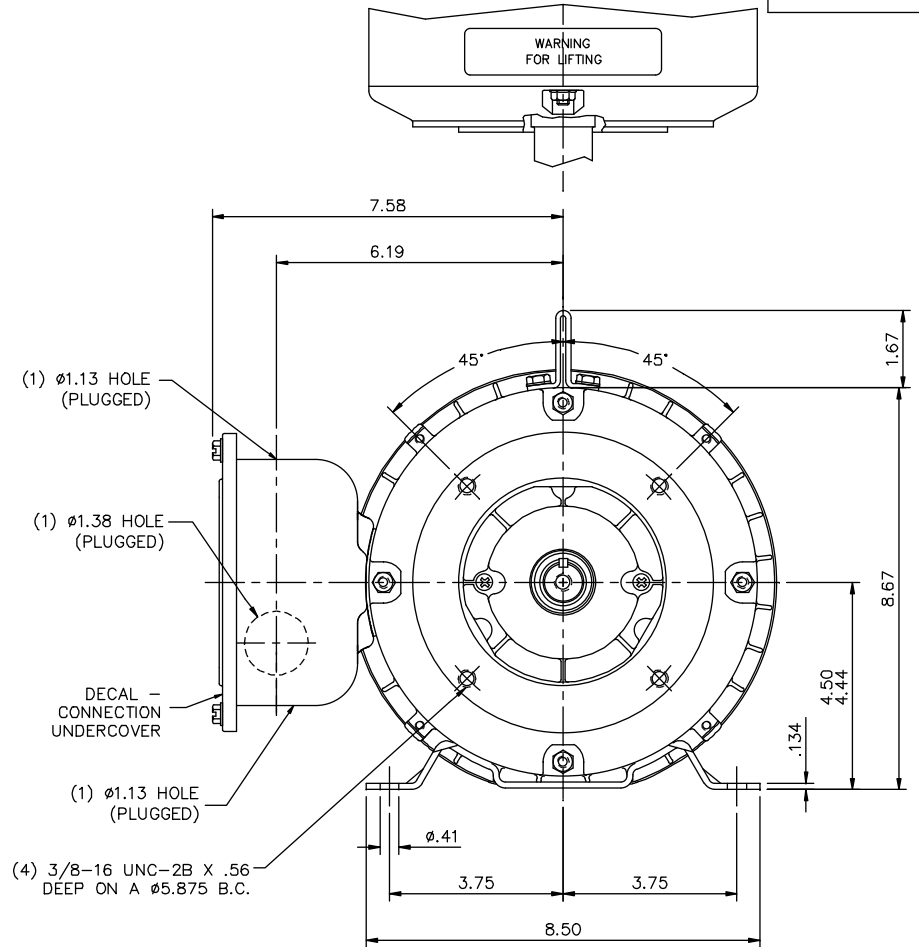
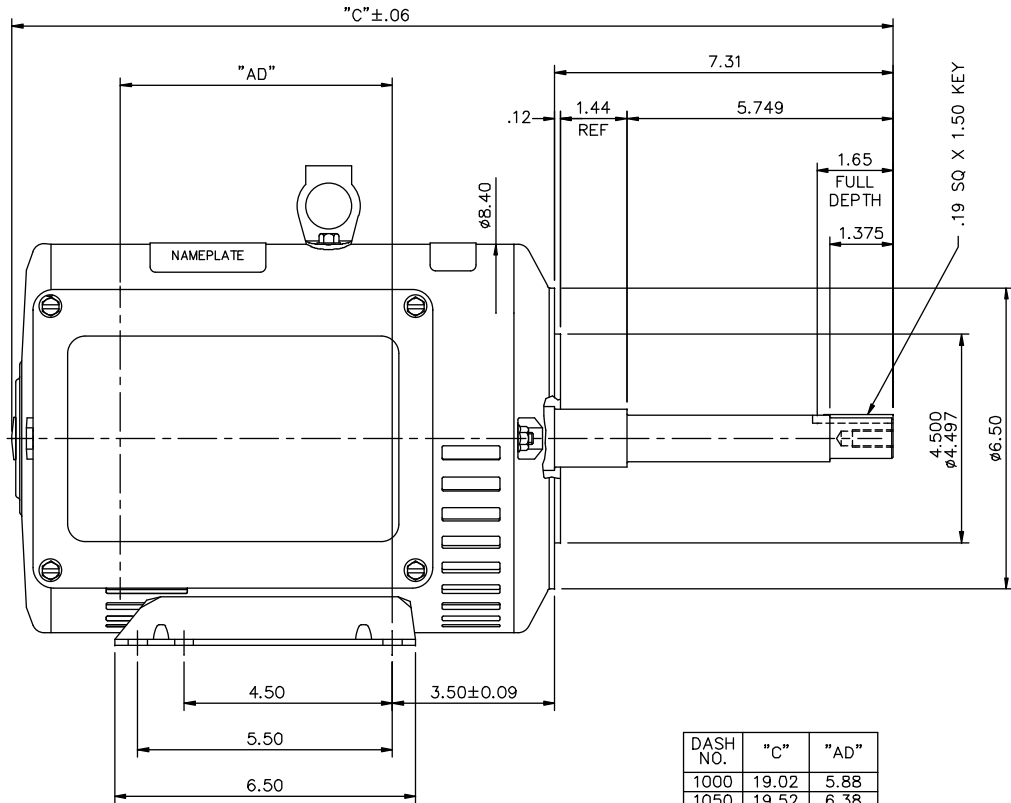
Nameplate Specifications

Output HP	2 Hp	Output KW	1.5 kW
Frequency	60 Hz	Voltage	230/115 V
Current	11.5/23 A	Speed	1750 rpm
Service Factor	1.15	Phase	1
Duty	Continuous	Insulation Class	F
Frame	182JP	Enclosure	Open Drip Proof
Thermal Protection	No	Ambient Temperature	40 °C
UL	Recognized	CSA	Y
CE	Y		

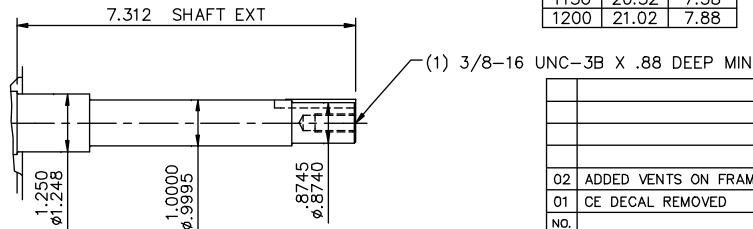
Technical Specifications

Electrical Type	Capacitor Start	Starting Method	Across The Line
Poles	4	Rotation	Counterclockwise
Mounting	Rigid base	Drive End Bearing	Ball
Opp Drive End Bearing	Ball	Frame Material	Rolled Steel
Shaft Type	Keyed	Overall Length	19.02 in
Frame Length	10.00 in	Shaft Diameter	1.25 in
Shaft Extension	7.31 in		

This is an uncontrolled document once printed or downloaded and is subject to change without notice. Date Created:30/10/2019



DASH NO.	"C"	"AD"
1000	19.02	5.88
1050	19.52	6.38
1100	20.02	6.88
1150	20.52	7.38
1200	21.02	7.88



GASKETS THROUGHOUT
 MAXIMUM FACE RUNOUT TO BE .004 T.I.R.
 MAXIMUM PILOT ECCENTRICITY TO BE .004 T.I.R.
 PERMISSIBLE SHAFT RUNOUT TO BE .008 T.I.R.

NO.	REVISION	BY & DATE	CHK	ANG	FINISH	TOLERANCES UNLESS SPECIFIED		DRAWN GR 07/23/12		
						DEC.	INCHES			
						.X	±.1	CHK VS 07/23/12		
						.XX	±.03	APPD		
02	ADDED VENTS ON FRAME	UD 05/16/13	SR	.XXX	±.005	TITLE OUTLINE - 180JP FRAME		SCALE 3=B		
01	CE DECAL REMOVED	UD 05/13/13	SR	.XXXX	±.0005	TITLE DRIP PROOF- RIGID "C" - JP PUMP MOUNT		REF 035722		
								FMF		
								PREV		
THIS DRAWING IN DESIGN AND DETAIL IS OUR PROPERTY AND MUST NOT BE USED EXCEPT IN CONNECTION WITH OUR WORK ALL RIGHTS OF DESIGN AND INVENTION ARE RESERVED THIS IS AN ELECTRONICALLY GENERATED DOCUMENT - DO NOT SCALE THIS PRINT						RFP	CAD FILE 035891CY	SIZE B	DRAWING NO. 035891CY	REV. 02
						DIST				