

PRODUCT INFORMATION PACKET



Model No: P230M2

Catalog No: P230M2

3 HP Close-Coupled Pump Motor, 1 phase, 1800 RPM, 230/115 V, 184JM Frame, ODP
JM Motors



Regal and Century are trademarks of Regal Beloit Corporation or one of its affiliated companies.

©2019 Regal Beloit Corporation, All Rights Reserved. MC017097E

REGAL



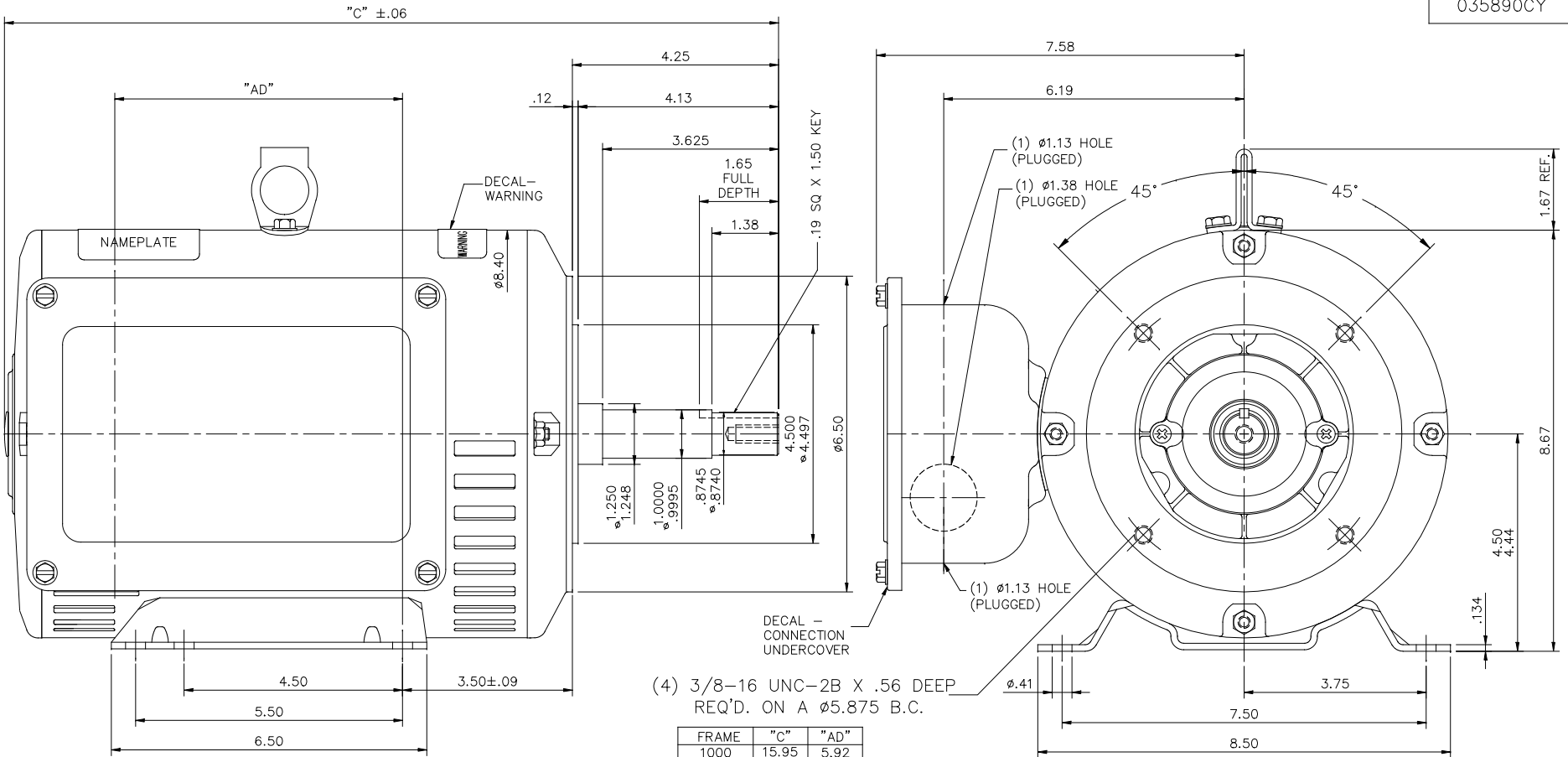
Nameplate Specifications

Output HP	3 Hp	Output KW	2.2 kW
Frequency	60 Hz	Voltage	230/115 V
Current	16.8/33.5 A	Speed	1747 rpm
Service Factor	1.15	Phase	1
Duty	Continuous	Insulation Class	F
Frame	184JM	Enclosure	Open Drip Proof
Thermal Protection	No	Ambient Temperature	40 °C
UL	Recognized	CSA	Y
CE	Y		

Technical Specifications

Electrical Type	Capacitor Start	Starting Method	Across The Line
Poles	4	Rotation	Counterclockwise
Mounting	Rigid base	Drive End Bearing	Ball
Opp Drive End Bearing	Ball	Frame Material	Rolled Steel
Shaft Type	Keyed	Overall Length	15.95 in
Frame Length	10.00 in	Shaft Diameter	1.25 in
Shaft Extension	4.25 in		

This is an uncontrolled document once printed or downloaded and is subject to change without notice. Date Created:30/10/2019



FRAME	"C"	"AD"
1000	15.95	5.92
1050	16.45	6.42
1100	16.95	6.92
1150	17.45	7.42
1200	17.95	7.92
1250	18.45	8.42

(4) 3/8-16 UNC-2B X .56 DEEP
REQ'D. ON A Ø5.875 B.C.

GASKETS THROUGHOUT

TOLERANCES UNLESS SPECIFIED		REGAL™ Regal Beloit America, Inc.		DRAWN	GR 07/20/12
DEC.	INCHES	CHK	VS	APPD	SCALE
.X	±.1				1=2
.XX	±.03				REF 035655CY
.XXX	±.005				FMF P228
.XXXX	±.0005				PREV
NO.	REVISION	BY & DATE	CHK ANG ±1/2°	FINISH	RFP
2	UPDATED DE END FRAME VIEW	MVG 11/23/17	SR .XXX ±.005	TITLE	CAD FILE 035890CY
1	KEY LENGTH UPDATED	GR 12/04/12	VS .XXXX ±.0005	OUTLINE- 180T FRAME DRIP PROOF- RIGID	SIZE B
THIS DRAWING IN DESIGN AND DETAIL IS OUR PROPERTY AND MUST NOT BE USED EXCEPT IN CONNECTION WITH OUR WORK ALL RIGHTS OF DESIGN AND INVENTION ARE RESERVED THIS IS AN ELECTRONICALLY GENERATED DOCUMENT - DO NOT SCALE THIS PRINT				DRAWING NO.	REV.
				035890CY	2