

PRODUCT INFORMATION PACKET



Model No: P228M2

Catalog No: P228M2

2.0 HP Close-Coupled Pump Motor, 1 phase, 1800 RPM, 115/230 V, 182JM Frame, ODP
JM Motors



Regal and Century are trademarks of Regal Beloit Corporation or one of its affiliated companies.

©2019 Regal Beloit Corporation, All Rights Reserved. MC017097E

REGAL



Nameplate Specifications

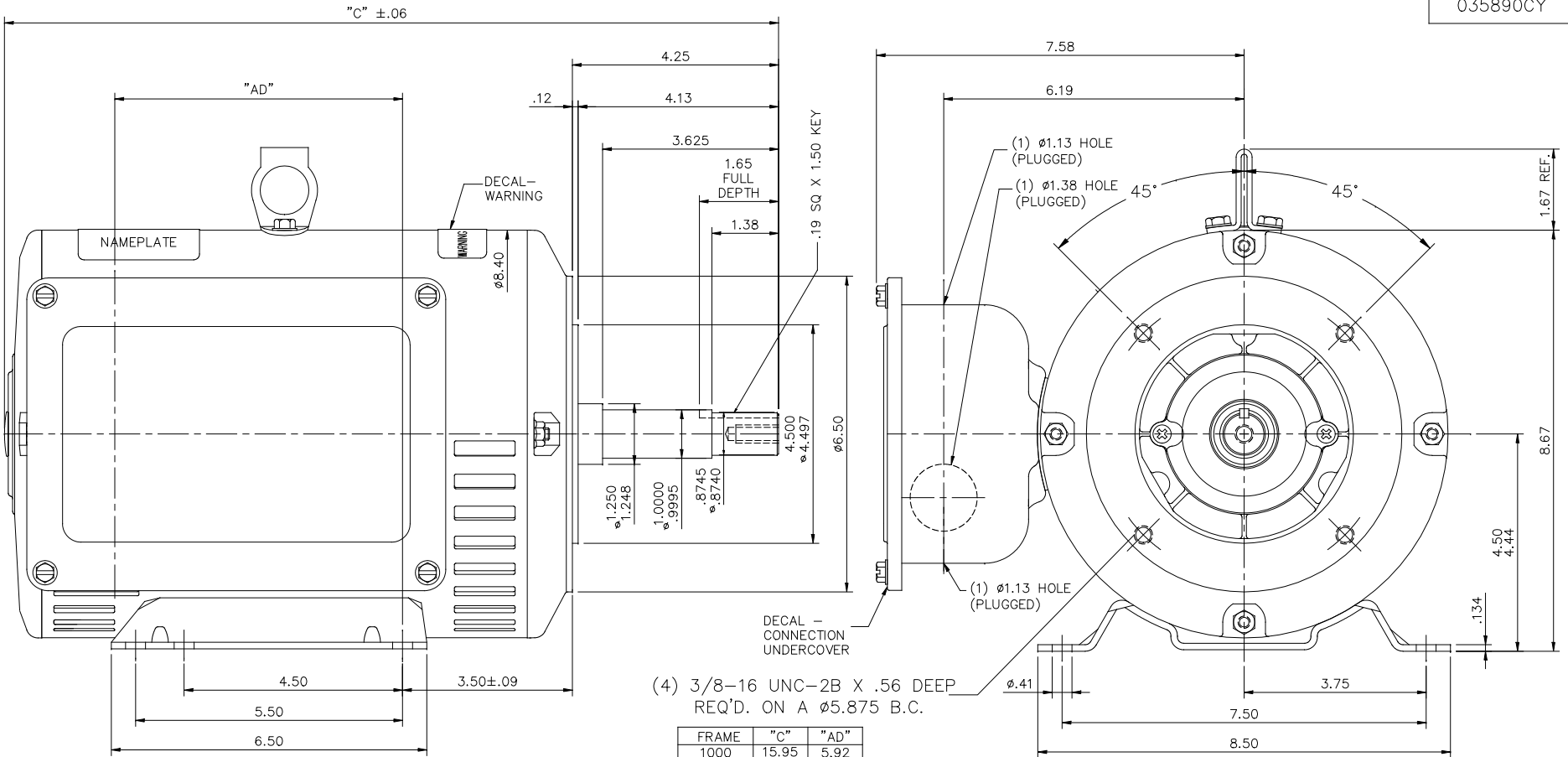
Output HP	2.0 Hp	Output KW	1.5 kW
Frequency	60 Hz	Voltage	115/230 V
Current	23/11.5 A	Speed	1750 rpm
Service Factor	1.15	Phase	1
Duty	Continuous	Insulation Class	F
Frame	182JM	Enclosure	Open Drip Proof
Thermal Protection	No	Ambient Temperature	40 °C
UL	Recognized	CSA	Y
CE	Y		

Technical Specifications

Electrical Type	Capacitor Start	Starting Method	Across The Line
Poles	4	Rotation	Counterclockwise
Mounting	Rigid base	Drive End Bearing	Ball
Opp Drive End Bearing	Ball	Frame Material	Rolled Steel
Shaft Type	Keyed	Overall Length	14.95 in
Frame Length	9.00 in	Shaft Diameter	1.25 in
Shaft Extension	4.25 in		

This is an uncontrolled document once printed or downloaded and is subject to change without notice. Date Created:30/10/2019

035890CY



FRAME	"C"	"AD"
1000	15.95	5.92
1050	16.45	6.42
1100	16.95	6.92
1150	17.45	7.42
1200	17.95	7.92
1250	18.45	8.42

(4) 3/8-16 UNC-2B X .56 DEEP
REQ'D. ON A Ø5.875 B.C.

GASKETS THROUGHOUT

		TOLERANCES UNLESS SPECIFIED		REGAL™ Regal Beloit America, Inc.		DRAWN GR 07/20/12	
		DEC.	INCHES	CHK	VS		
		.X	±.1			APPD	
		.XX	±.03	TITLE		SCALE 1=2	
2	UPDATED DE END FRAME VIEW	MVG	11/23/17	SR	.XXX ±.005	REF 035655CY	
1	KEY LENGTH UPDATED	GR	12/04/12	VS	.XXX ±.0005	FMF P228	
NO.	REVISION	BY & DATE	CHK	ANG	±1/2"	FINISH	PREV
THIS DRAWING IN DESIGN AND DETAIL IS OUR PROPERTY AND MUST NOT BE USED EXCEPT IN CONNECTION WITH OUR WORK ALL RIGHTS OF DESIGN AND INVENTION ARE RESERVED THIS IS AN ELECTRONICALLY GENERATED DOCUMENT - DO NOT SCALE THIS PRINT				RFP	CAD FILE	035890CY	SIZE B
				DIST	DRAWING NO. 035890CY		REV. 2