

PRODUCT INFORMATION PACKET



Model No: OS2024L

Catalog No: OS2024L

1/4 HP Fan and Blower HVAC/R Motor, 1 phase, 1800 RPM, 115 V, 48 Frame, OPEN
Self Cooled Motors



Regal and Century are trademarks of Regal Beloit Corporation or one of its affiliated companies.

©2019 Regal Beloit Corporation, All Rights Reserved. MC017097E

REGAL



Nameplate Specifications

Output HP	1/4 Hp	Output KW	0.19 kW
Frequency	60 Hz	Voltage	115 V
Current	4.6 A	Speed	1725 rpm
Service Factor	1.35	Phase	1
Duty	Continuous	Insulation Class	B
Frame	48	Enclosure	Open Enclosed
Thermal Protection	None	Ambient Temperature	40 °C
UL	No	CSA	Y
CE	N		

Technical Specifications

Electrical Type	Split Phase	Starting Method	Across The Line
Poles	4	Rotation	Reversible
Mounting	Rigid Base	Drive End Bearing	Sleeve
Opp Drive End Bearing	Sleeve	Frame Material	Rolled Steel
Shaft Type	Flat	Overall Length	8.90 in
Frame Length	4.69 in	Shaft Diameter	0.500 in
Shaft Extension	1.62 in		

This is an uncontrolled document once printed or downloaded and is subject to change without notice. Date Created:30/10/2019

THRU-BOLT & BUSH COVER SCREW HEADS WERE SHOWN AS ROUND HEADS
 PD 18364
 12-13-85
 5/14/86
 3/25/80
 5/11/86
 7
 ADDED XO, XK & XM DIMS TO F48 TAB. CN 39734
 3/6/80 4-25-80
 5/11/86
 7
 CHANGED DECAL AND MANUAL THERMO BUTTON NOTES:
 92 GROSZLI
 B. BISER 6-2-92
 6/2/92
 8
 FOZ ADDED GROUND LEAD
 0044046
 3/20/01
 K. GORDON
 9

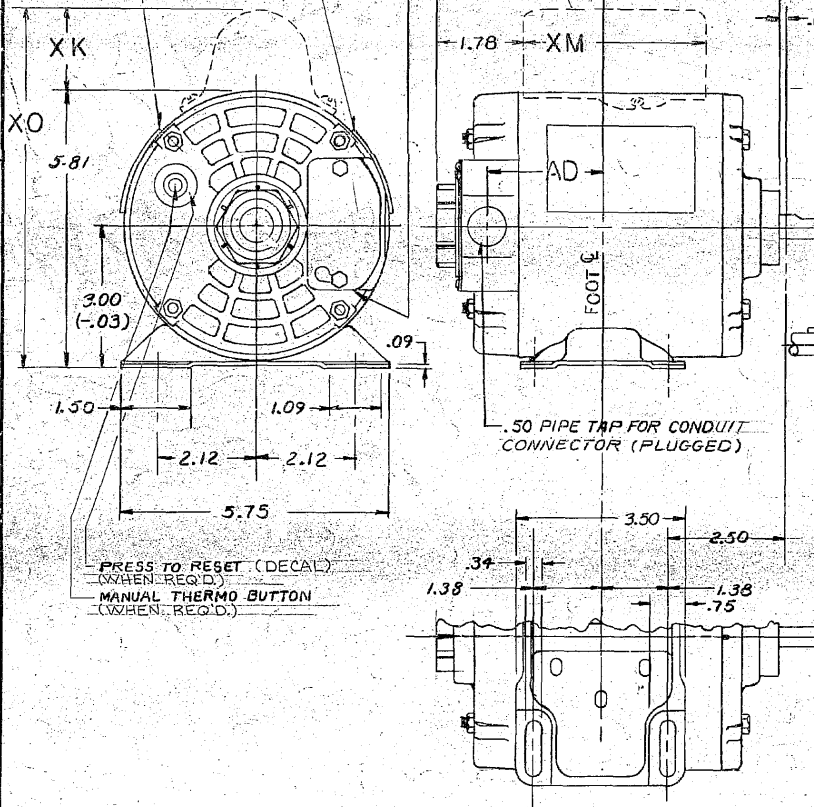


FIG. 1 RIGID MOUNTING

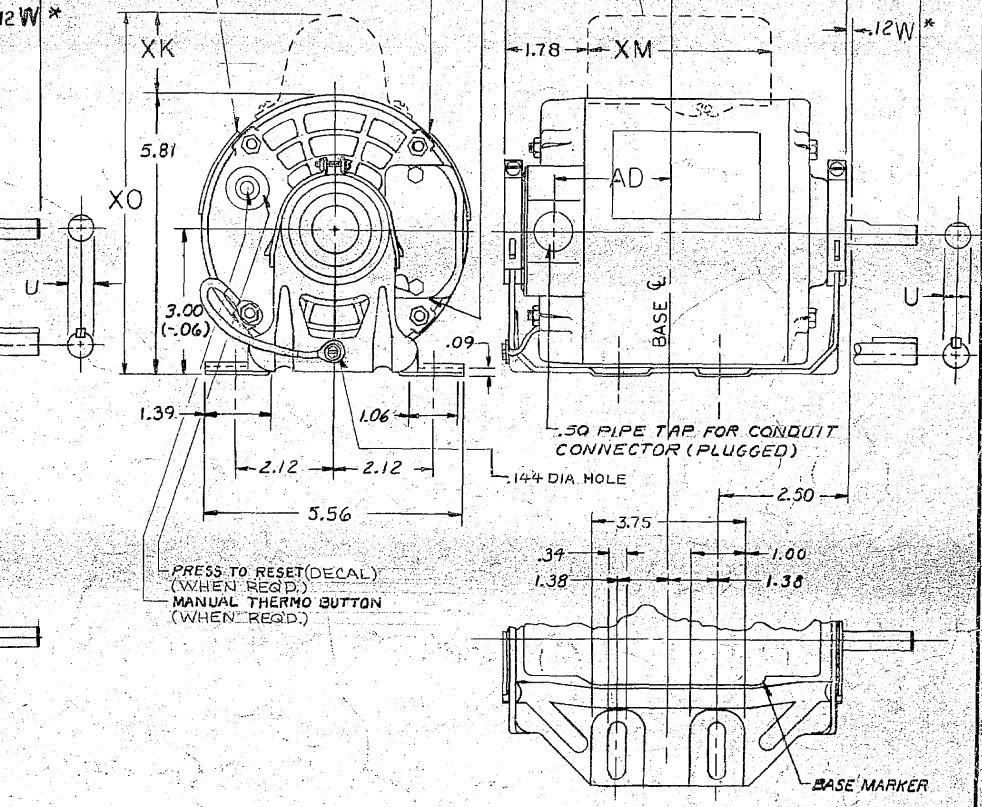


FIG. 2 RESILIENT MOUNTING

FRAME NO.	SHAFT DIA. U	FLAT OR KEYWAY WIDTH	FLAT OR KEYWAY DEPTH	KEYWAY LENGTH	C	L	N	N-W	AD	XO	CAR HSG. DIMS	
											XK	XM
48	.50	FLAT	.05	1.12	8.90	3.53	1.62	1.50	2.47			
A48	.50	FLAT	.05	1.12	9.15	3.78	1.62	1.50	2.72	7.43	1.62	3.94
B48	.50	FLAT	.05	1.12	9.40	4.03	1.62	1.50	2.97	7.81	2.00	3.94
D48	.50	FLAT	.05	1.12	9.90	4.53	1.62	1.50	3.47	7.81	2.00	3.94
F48	.50	FLAT	.05	1.12	10.40	5.03	1.62	1.50	3.97	7.93	1.62	3.94
K48	.62	.19	.09	1.38	9.28	3.53	2.00	1.88	2.47			
AK48	.62	.19	.09	1.38	9.53	3.78	2.00	1.88	2.72	7.43	1.62	3.94
BK48	.62	.19	.09	1.38	9.78	4.03	2.00	1.88	2.97	7.81	2.00	3.94
DK48	.62	.19	.09	1.38	10.28	4.53	2.00	1.88	3.47	7.81	2.00	3.94
FK48	.62	.19	.09	1.38	10.78	5.03	2.00	1.88	3.97			

* DIM "W" MAY VARY FROM THAT SHOWN, DUE TO VARIANCE IN CASTINGS & ASSEMBLY OPERATIONS.

▲ USUABLE SHAFT EXTENSION

⓪ THESE OVERALL HEIGHT DIM'S & CAPACITOR SIZES ARE THOSE NORMALLY USED ON MOST RATINGS. WHERE INTERFERENCE APPEARS LIKELY REFER TO LIMA WORKS FOR EXACT CAPACITOR HSG. NO. FOR THE PARTICULAR STYLE INVOLVED.

DIMENSIONS IN INCHES-SCALE		499-TOLERANCES-WHERE NONE ARE GIVEN-	
DEPTH	<i>et al</i>	10-17-84	3-PLACE DECIMALS - IN 1-THIRDS - 1/4
SUP. DIMS			3-PLACE DECIMALS - IN 1/16" STOCK - SEE 10-NO. 499
ENG. BY	<i>W. G. G.</i>	11-20-84	MFG. TOLERANCES PER LIMA
MFG.	<i>W. G. G.</i>	11-21-84	
REF. DWG.	3696608		
Westinghouse		DWG. NO.	
ELECTRIC CORPORATION		3923003	
LIMA, OHIO, USA			
LIMA MOTOR DIVISIONS			