

# PRODUCT INFORMATION PACKET



Model No: OL2032  
Catalog No: OL2032

1/3 HP Definite Purpose HVAC HVAC/R Motor, 1 phase, 3600 RPM, 115/230 V, 48N Frame, OPEN  
Oil Burner Motors



Regal and Century are trademarks of Regal Beloit Corporation or one of its affiliated companies.  
©2019 Regal Beloit Corporation, All Rights Reserved. MC017097E





**Nameplate Specifications**

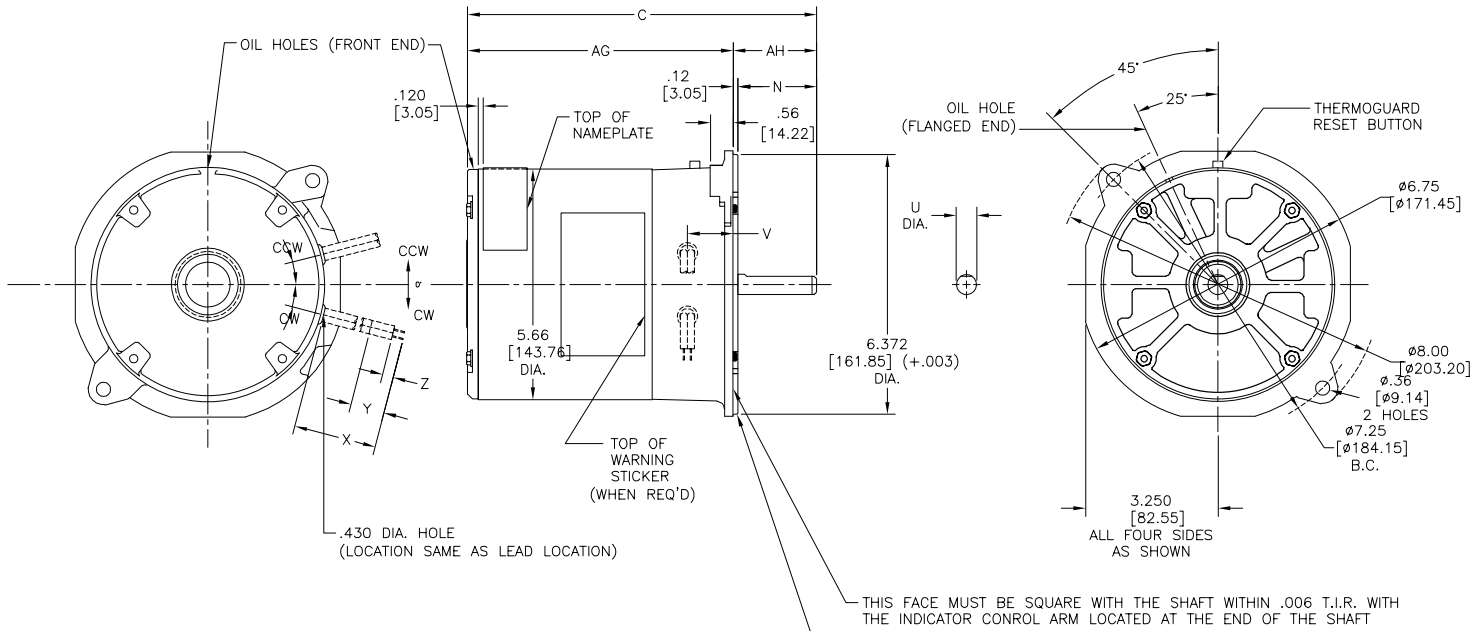
Output HP	<b>1/3 Hp</b>	Output KW	<b>0.25 kW</b>
Frequency	<b>60 Hz</b>	Voltage	<b>115/230 V</b>
Current	<b>4.2/2.1 A</b>	Speed	<b>3450 rpm</b>
Service Factor	<b>1</b>	Phase	<b>1</b>
Duty	<b>Continuous</b>	Insulation Class	<b>B</b>
Frame	<b>48N</b>	Enclosure	<b>Open Enclosed</b>
Thermal Protection	<b>Manual</b>	Ambient Temperature	<b>40 °C</b>
UL	<b>No</b>	CSA	<b>Y</b>
CE	<b>N</b>		

**Technical Specifications**

Electrical Type	<b>Split Phase</b>	Starting Method	<b>Across The Line</b>
Poles	<b>2</b>	Rotation	<b>Reversible</b>
Mounting	<b>N</b>	Drive End Bearing	<b>Sleeve</b>
Opp Drive End Bearing	<b>Sleeve</b>	Frame Material	<b>Rolled Steel</b>
Shaft Type	<b>Flat</b>	Overall Length	<b>8.72 in</b>
Frame Length	<b>4.69 in</b>	Shaft Diameter	<b>0.500 in</b>
Shaft Extension	<b>1.974 in</b>		

This is an uncontrolled document once printed or downloaded and is subject to change without notice. Date Created:30/10/2019

REV	ECO	REV BY	DATE	APPD	DATE
J	0026434	O. CARVAJAL	05-29-2012	M. AVILA	05-29-2012



THIS FACE MUST BE SQUARE WITH THE SHAFT WITHIN .006 T.I.R. WITH THE INDICATOR CONTROL ARM LOCATED AT THE END OF THE SHAFT

THIS DIAMETER MUST BE CONCENTRIC WITH THE SHAFT WITHIN .006 T.I.R. WITH THE INDICATOR CONTROL ARM LOCATED AT THE END OF THE SHAFT.

DIMENSIONS IN INCHES CORRESPONDING TO LETTERS GIVEN IN OUTLINE VIEWS

FRAME NO.	SHAFT DIA. U	FLAT OR KEYWAY			C	N	AG	AH
		WIDTH	DEPTH	LENGTH				
A48N	.500	FLAT	.05	1.50	8.66	1.82	6.72	1.94
B48N	.500	FLAT	.05	1.50	8.91	1.82	6.97	1.94
C48N	.500	FLAT	.05	1.50	9.16	1.82	7.22	1.94

1	1.12	12.25	6.75	.75	145°		
FIG. NO.	V	X (+1.00)	Y	Z	CCW	CW	LEAD LOCATION

LEAD TABULATION & LOCATION

GEOMETRIC CHARACTERISTICS & SYMBOLS

- FLATNESS
- STRAIGHTNESS
- ∠ ANGULARITY
- ⊥ PERPENDICULARITY (SQUARENESS)
- ∥ PARALLELISM
- ROUNDNESS (CIRCULARITY)
- ⊘ CYLINDRICITY
- ⌒ PROFILE OF ANY SURFACE
- ⌒ PROFILE OF ANY LINE
- ↑ RUNOUT
- ⊕ TRUE POSITION
- ⊙ CONCENTRICITY
- ⊖ SYMMETRY

ASME Y14.5M 1994

UNLESS OTHERWISE SPECIFIED DIM. TOLERANCES ARE AS FOLLOWS:

X XX XXX XXXX  
 INCH ±.1 ±.02 ±.005 ±.0005  
 mm ±0.5 ±0.13 ±0.013

ANG. ±.50 DEG

REMOVE BURRS & BREAK SHARP EDGES:  
 INCH .003-.015 mm 0.1-.04

CORNER FILLETS TO:  
 INCH .020 mm 0.5

MACHINE SURFACES:  
 INCH 125 mm 3.2

METRIC DIMS. SHOWN IN [BRACKETS]

DR BY: HA 06-27-1977

APPD:

THIRD ANGLE PROJECTION

EDS DATE 11-11-2011  
 FORMAT REV H

CONFIDENTIAL: THIS DRAWING AND ITS INFORMATION ARE THE EXCLUSIVE AND CONFIDENTIAL PROPERTY OF REGAL-BELOIT CORPORATION AND ARE NOT TO BE DISCLOSED, DUPLICATED, DISTRIBUTED OR OTHERWISE USED WITHOUT THE WRITTEN CONSENT OF REGAL-BELOIT CORPORATION. -ALL RIGHTS RESERVED.

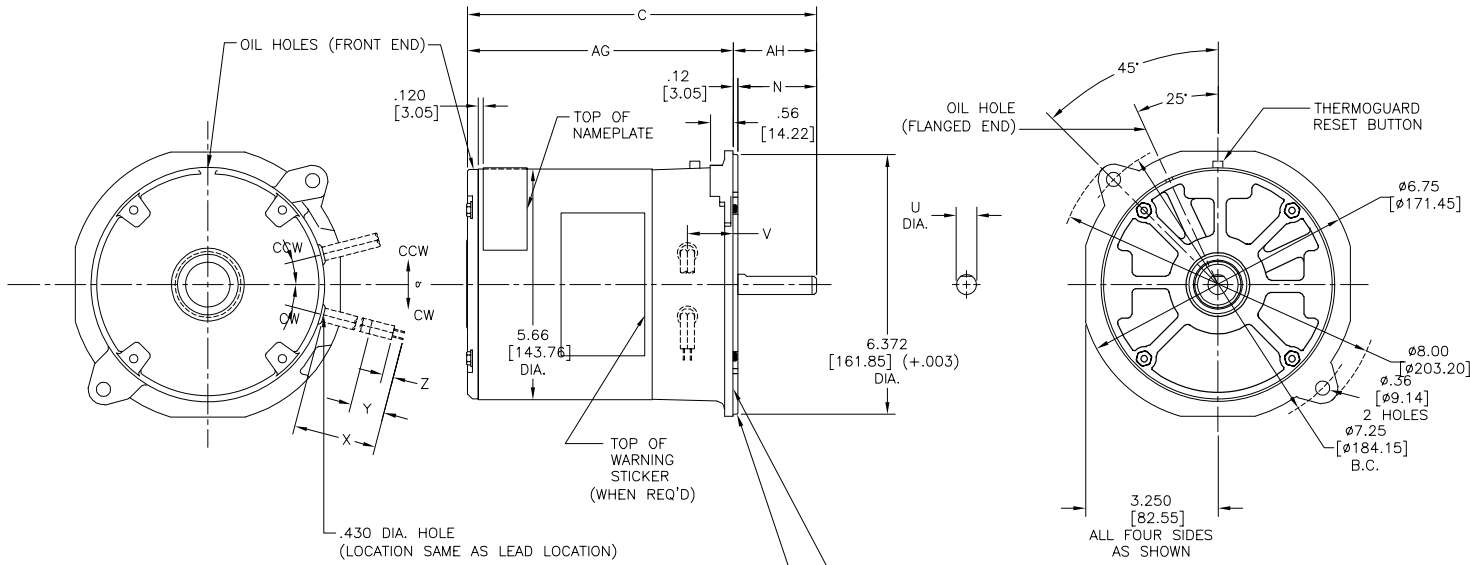
**REGAL-BELOIT CORPORATION**

DESCRIPTION: MODEL-RFHP-48FR OUTLINE

SIZE: C DWG NO: 3937C14

SCALE: NONE SHEET: 1

REVISION:	ECO	REVISADO POR:	FECHA:	APROBADO POR:	FECHA:
J	0026434	O. CARVAJAL	05-29-2012	M. AVILA	05-29-2012



THIS FACE MUST BE SQUARE WITH THE SHAFT WITHIN .006 T.I.R. WITH THE INDICATOR CONTROL ARM LOCATED AT THE END OF THE SHAFT

THIS DIAMETER MUST BE CONCENTRIC WITH THE SHAFT WITHIN .006 T.I.R. WITH THE INDICATOR CONTROL ARM LOCATED AT THE END OF THE SHAFT.

DIMENSIONS IN INCHES CORRESPONDING TO LETTERS GIVEN IN OUTLINE VIEWS

FRAME NO.	SHAFT DIA. U	FLAT OR KEYWAY			C	N	AG	AH
		WIDTH	DEPTH	LENGTH				
A48N	.500	FLAT	.05	1.50	8.66	1.82	6.72	1.94
B48N	.500	FLAT	.05	1.50	8.91	1.82	6.97	1.94
C48N	.500	FLAT	.05	1.50	9.16	1.82	7.22	1.94

1	1.12	12.25	6.75	.75	145°		
FIG. NO.	V	X (+1.00)	Y	Z	CCW	CW	LEAD LOCATION

LEAD TABULATION & LOCATION

CARACTERISTICAS DE GEOMETRIA Y SIMBOLOS

- PLANICIDAD
- RECTITUD
- ANGULARIDAD
- PERPENDICULARIDAD (A ESQUADRA)
- PARALELISMO
- REDONDEZ (CIRCULARIDAD)
- CILINDRICIDAD
- PERFIL DE CUALQUIER SUPERFICIE
- VARIACION
- POSICION REAL
- CONCENTRICIDAD
- SIMETRIA

ASME Y14.5M 1994

A MENOS QUE SE ESPECIFIQUE DE OTRA MANERA, LAS TOLERANCIAS DE LAS DIMS. SON LAS SIGUIENTES:

PULG ±.1 ±.02 ±.005 ±.0005

mm ±0.5 ±0.13 ±0.013

ANG. ±.50 GRADOS

ELIMINAR REBABAS Y ORILLAS FILOSAS DEL BORDE.

PULG .003-.015 mm 0.1-0.4

FILETEAR ESQUINA: PULG .020 mm 0.5

MAQUINAR SUPERFICIES

PULG .125 mm .32

DIMS METRICAS MOSTRADAS [PARENTESIS]

DIBUJADO POR: HA 06-27-1977

APROBADO POR:

TERCER ANGULO DE PROYECCION

FECHA EDS: 11-11-2011

REV. FORMATO: H

CONFIDENCIAL: ESTE DIBUJO Y SU INFORMACION SON PROPIEDAD DE USO EXCLUSIVO Y CONFIDENCIAL DE REGAL-BELOIT CORPORATION. Y NO DEBERAN SER REVELADOS, DUPLICADOS, DISTRIBUIDOS O USARSE DE OTRA MANERA SIN EL CONSENTIMIENTO ESCRITO DE REGAL-BELOIT CORPORATION. -TODOS LOS DERECHOS RESERVADOS.

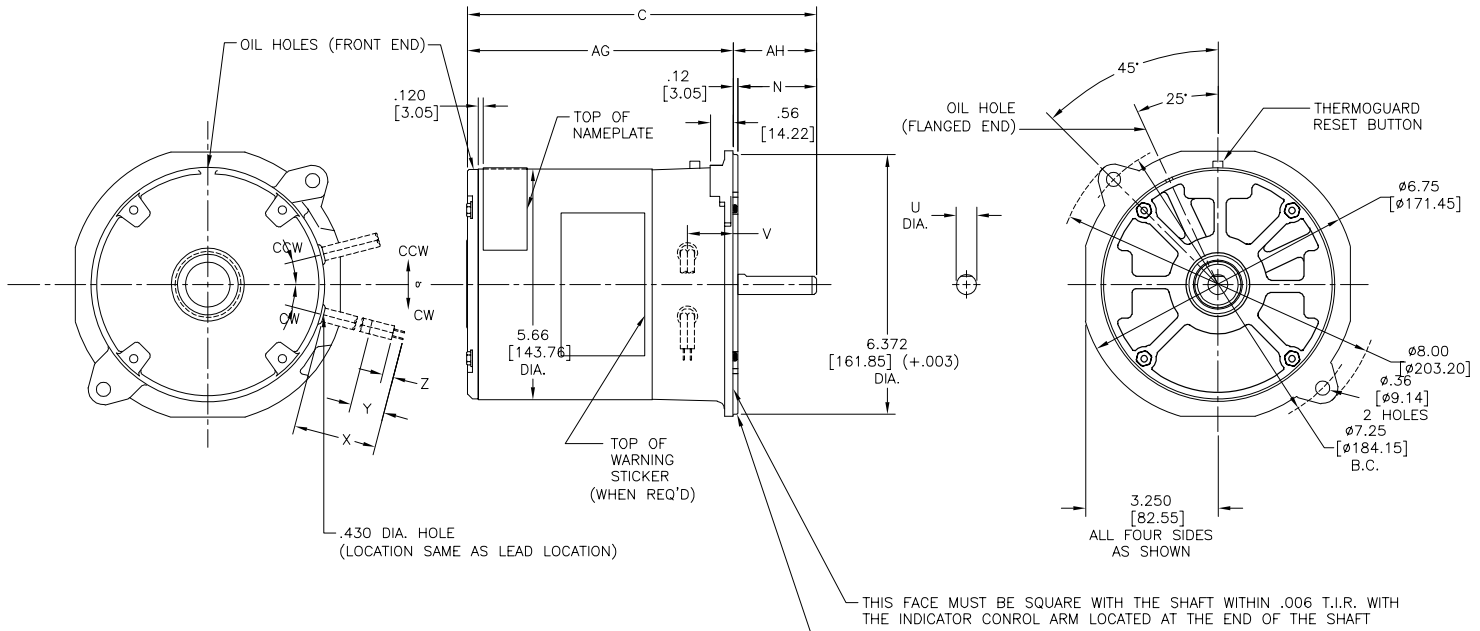
**REGAL** REGAL-BELOIT CORPORATION

DESCRIPCION: MODEL-RFHP-48FR OUTLINE

TAMAÑO: C NUMERO DE DIBUJO: 3937C14

ESCALA: NONE HOJA: 1

版本	ECO	编制	日期	批准	日期
J	0026434	O. CARVAJAL	05-29-2012	M. AVILA	05-29-2012



THIS FACE MUST BE SQUARE WITH THE SHAFT WITHIN .006 T.I.R. WITH THE INDICATOR CONTROL ARM LOCATED AT THE END OF THE SHAFT

THIS DIAMETER MUST BE CONCENTRIC WITH THE SHAFT WITHIN .006 T.I.R. WITH THE INDICATOR CONTROL ARM LOCATED AT THE END OF THE SHAFT.

DIMENSIONS IN INCHES CORRESPONDING TO LETTERS GIVEN IN OUTLINE VIEWS

FRAME NO.	SHAFT DIA. U	FLAT OR KEYWAY			C	N	AG	AH
		WIDTH	DEPTH	LENGTH				
A48N	.500	FLAT	.05	1.50	8.66	1.82	6.72	1.94
B48N	.500	FLAT	.05	1.50	8.91	1.82	6.97	1.94
C48N	.500	FLAT	.05	1.50	9.16	1.82	7.22	1.94

1	1.12	12.25	6.75	.75	145°
FIG. NO.	V	X (+1.00)	Y	Z	CCW CW LEAD LOCATION

LEAD TABULATION & LOCATION

形位公差 □ 平面度 〱 直线度 ∠ 倾斜度 ⊥ 垂直度 // 平行度 ○ 圆度 Ⓟ 圆跳度 ⊖ 圆轮廓度 ⊖ 线轮廓度 ⊖ 圆跳动 ⊖ 位置度 ⊖ 同轴度 ⊖ 对称度	除另有注明 尺寸公差如下: 英寸 X XX XXX XXXX 毫米 ±.1 ±.02 ±.005 ±.0005 英寸 .003-.015 毫米 0.1-0.4 内圆角 英寸 .020 毫米 0.5 表面粗糙度 英寸 125 微米 3.2 米制尺寸显示在 [ ]
	ASME Y14.5M 1994

HA	06-27-1977
批准:	
第三角投影	图纸格式发布日期 11-11-2011 图纸格式版本 H
机密: 本图纸及相关信息所有权归REGAL-BELOIT CORPORATION。 未经REGAL-BELOIT CORPORATION书面授权, 不得泄露、 复制、传播或作其他用途。--版权所有	

<b>REGAL REGAL-BELOIT CORPORATION</b>	
名称 MODEL-RFHP-48FR OUTLINE	
图幅 C	图号 3937C14
比例 NONE	页号 1