

PRODUCT INFORMATION PACKET



Model No: OL1052DS
Catalog No: OL1052DS
1/2 HP Definite Purpose HVAC HVAC/R Motor, 1 phase, 3600 RPM, 115/230 V, 48N Frame, ODP
Oil Burner Motors



Regal and Century are trademarks of Regal Beloit Corporation or one of its affiliated companies.
©2019 Regal Beloit Corporation, All Rights Reserved. MC017097E

The REGAL logo is a dark grey rectangular box with the word 'REGAL' in white, bold, sans-serif capital letters. The box is positioned on a blue and black halftone patterned background that runs vertically down the right side of the page.

REGAL



Nameplate Specifications

Output HP	1/2 Hp	Output KW	0.37 kW
Frequency	60 Hz	Voltage	115/230 V
Current	6.4/3.2 A	Speed	3450 rpm
Service Factor	1.25	Phase	1
Duty	Continuous	Insulation Class	B
Frame	48N	Enclosure	Open Drip Proof
Thermal Protection	Manual	Ambient Temperature	40 °C
UL	Recognized	CSA	Y
CE	N		

Technical Specifications

Electrical Type	Capacitor Start Induction Run	Starting Method	Across The Line
Poles	2	Rotation	Reversible
Mounting	N	Drive End Bearing	Sleeve
Opp Drive End Bearing	Sleeve	Frame Material	Rolled Steel
Shaft Type	Flat	Overall Length	12.41 in
Frame Length	6.94 in	Shaft Diameter	0.500 in
Shaft Extension	2 in		

This is an uncontrolled document once printed or downloaded and is subject to change without notice. Date Created:30/10/2019

Ø 129.8 \pm 0.5 OUTSIDE DIA.

0.3
A

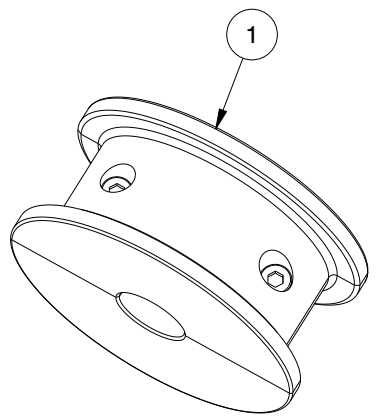
0.3 A
0.3

Ø 30 \pm 0.3
 \pm 0.1

1 x 45°

Ø 105 \pm 0.3 INTERNAL DIA.

SECTION A-A



SCALE 1:2

1	AA8706890	HDB-PA6-135-65-73-22	1	PA	WHITE
POS	PART NUMBER	ITEM DESCRIPTION	QTY	MATERIAL	COLOR

EXPERIMENTAL CODE	TOOL NUMBER / DIE NUMBER / EQUIPMENT NUMBER						
-	DOH	-					
MATERIAL DESCRIPTION	FLO	-					
-	ZZ	-					
MATERIAL COLOR	UNLESS INDIVIDUAL INDICATIONS, GENERAL TOLERANCES ACCORDING TO DIN ISO 2768 - MK						
MATERIAL CODE	-						
WEIGHT	≤ 6	≤ 6	≤ 30	≤ 120	≤ 315	≤ 1000	≤ 2000
688.4 g	±0.1	±0.2	±0.3	±0.5	±0.8	±1.2	±2.0

REGAL SYSTEM PLAST

THE 2D DRAWING IS LEADING WITH RESPECT TO DIMENSIONS. FOR ALL DIMENSIONS NOT SPECIFICALLY MENTIONED REFER TO THE 3D MODEL.

DRAWN BY: M.BHAVIGADDI
DATE: 07/06/2017

CHECKED BY: A.KADAM
DATE: 16/06/2017

ITEM DESCRIPTION	820-21R30M-WMS		
LONG DESCRIPTION	SPROCKET		
PART NUMBER	12620		REV F
SIZE	A3	SHEET 1 / 2	SCALE 1:1
ECO	ECO-0125496		DO NOT SCALE THIS PRINT

COPYRIGHT SOLUS INDUSTRIAL INNOVATIONS, LLC AND SYSTEM PLAST SRL ALL RIGHTS RESERVED. PROPRIETARY AND CONFIDENTIAL INFORMATION. THIS DOCUMENT IS THE PROPERTY OF SOLUS INDUSTRIAL INNOVATIONS, LLC AND SYSTEM PLAST SRL (OWNERS) AND CONTAINS OWNER'S PROPRIETARY INFORMATION. ANY PERSON, CORPORATION OR OTHER FIRM RECEIVING IT IS DEEMED, BY RECEIVING IT, TO AGREE THAT IT, AND/OR ANY PART OF IT, SHALL NOT BE DISCLOSED TO ANY PERSON, CORPORATION OR OTHER ENTITY, DUPLICATED, AND/OR USED EXCEPT AS EXPRESSLY APPROVED IN WRITING IN ADVANCE BY OWNERS. THIS DOCUMENT SHALL BE RETURNED TO OWNERS UPON REQUEST. IT MAY BE SUBJECT TO CERTAIN RESTRICTIONS UNDER APPLICABLE EXPORT CONTROL LAWS AND REGULATIONS.

PART NUMBER 12620

