

# PRODUCT INFORMATION PACKET



Model No: OBG2004  
Catalog No: OBG2004  
1/8 HP Circulator pump Motor, 1 phase, 1800 RPM, 115 V, 48Y Frame, OPEN  
Circulator Pump Motors



Regal and Century are trademarks of Regal Beloit Corporation or one of its affiliated companies.  
©2019 Regal Beloit Corporation, All Rights Reserved. MC017097E

The Regal logo consists of the word 'REGAL' in a bold, white, sans-serif font, set against a dark grey, trapezoidal background with a slight shadow effect.

REGAL



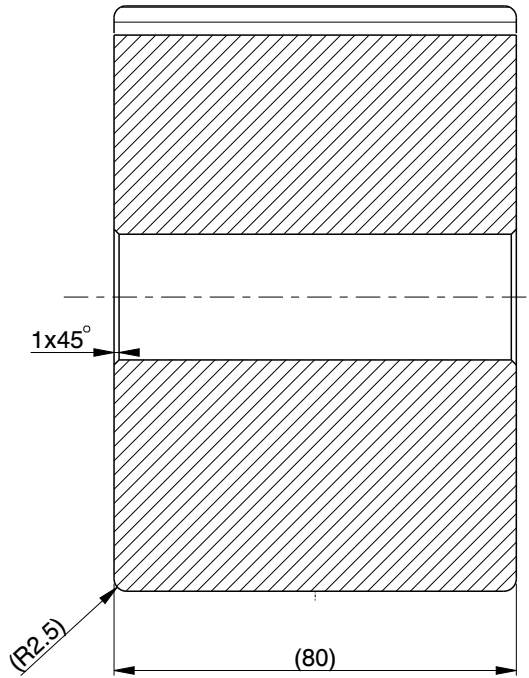
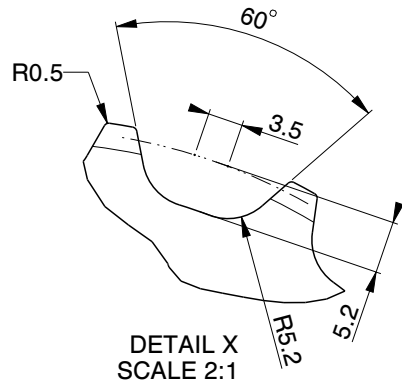
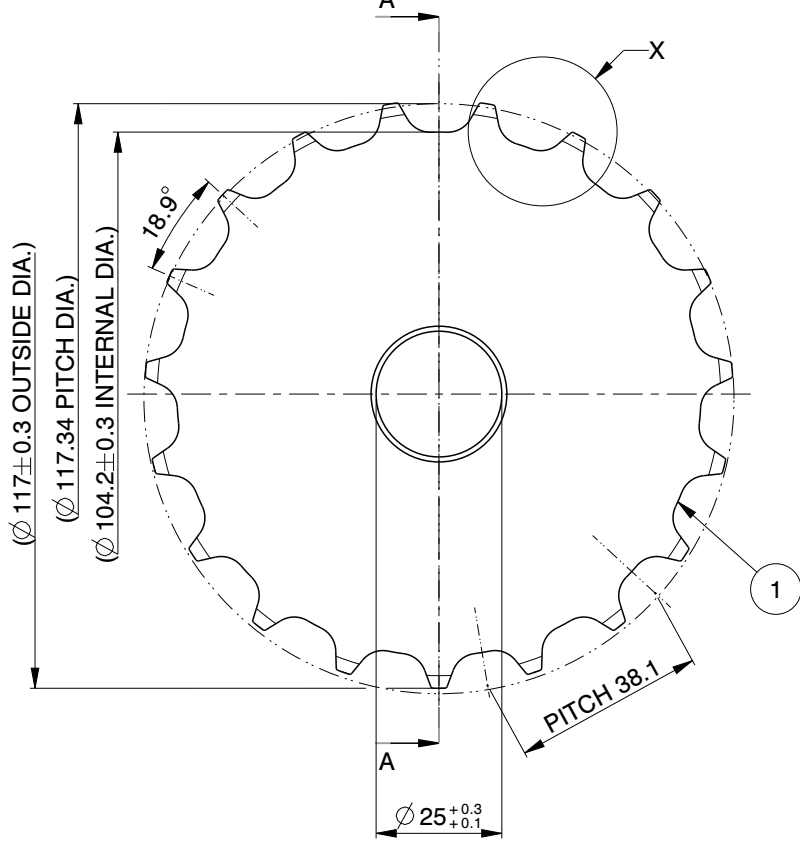
**Nameplate Specifications**

Output HP	1/8 Hp	Output KW	0.10 kW
Frequency	60 Hz	Voltage	115 V
Current	3.1 A	Speed	1725 rpm
Service Factor	1	Phase	1
Duty	Continuous	Insulation Class	A
Frame	48Y	Enclosure	Open Enclosed
Thermal Protection	Automatic	Ambient Temperature	40 °C
UL	No	CSA	Y
CE	N		

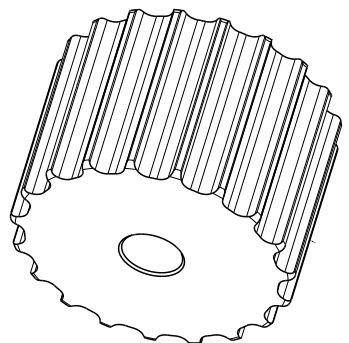
**Technical Specifications**

Electrical Type	Split Phase	Starting Method	Across The Line
Poles	4	Rotation	Reversible
Mounting	Resilient Base	Drive End Bearing	Sleeve
Opp Drive End Bearing	Sleeve	Frame Material	Rolled Steel
Shaft Type	Spot Drill	Overall Length	6.84 in
Frame Length	3.44 in	Shaft Diameter	0.500 in
Shaft Extension	0.68 in		

This is an uncontrolled document once printed or downloaded and is subject to change without notice. Date Created:30/10/2019



SECTION A-A



SCALE 1:2

1	12449G	821-19R18M-RM	1	PA6	WHITE
Pos	Code	Description	Qty	Material	Color

Experimental code	The 2D drawing is leading with respect to dimensions. For all dimensions not specifically mentioned refer to the 3D model.		Drawn by	Description		
Material description			S.SHAIK	821-19R25M-RM		
Material code			Date	Long description		
Material color			10/2/2014	SPROCKET		
Weight	Unless individual indications, general tolerances according to ISO 2768-mK	POWER TRANSMISSION SOLUTIONS	NPI / ECN	Scale	Tool number	Sheet
792 g	By accepting this document you agree to the following: This document and the information it contains is the property of Power Transmission Solutions. It must be held in strict confidence and be properly safeguarded by you at all times. It may only be used for the specific purpose that it was loaned to you. It may not be revealed to another party without prior written authorization from Power Transmission Solutions.	Confidential Property of Power Transmission Solutions	C00394	1:1	----	1 of 1
			Do not scale drawing	Part number	Rev.	
				12449	A	