

PRODUCT INFORMATION PACKET



Model No: OB3204ES
Catalog No: OB3204ES
2.0 HP General Purpose Motor, 3 phase, 1800 RPM, 230/460 V, 56H Frame, ODP
Three Phase ODP Motors



Regal and Century are trademarks of Regal Beloit Corporation or one of its affiliated companies.
©2019 Regal Beloit Corporation, All Rights Reserved. MC017097E

The REGAL logo consists of the word 'REGAL' in a bold, white, sans-serif font, set against a dark grey, trapezoidal background with a slight shadow effect.

REGAL



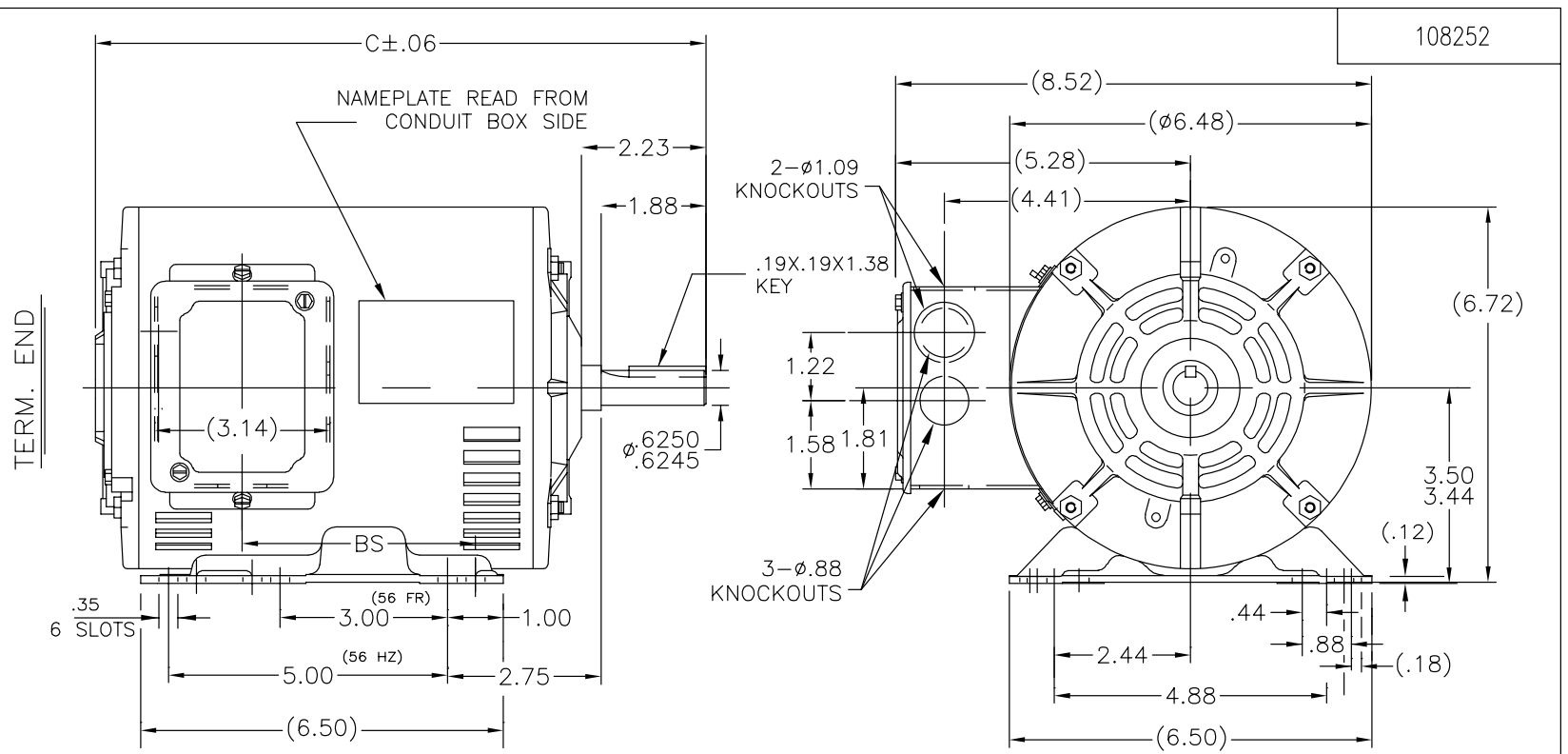
Nameplate Specifications

Output HP	2.0 Hp	Output KW	1.5 kW
Frequency	60 Hz	Voltage	230/460 V
Current	6.0/3.0 A	Speed	1725 rpm
Service Factor	1.15	Phase	3
Duty	Continuous	Insulation Class	B
Frame	56H	Enclosure	Drip Proof
Thermal Protection	None	Ambient Temperature	40 °C
UL	Recognized	CSA	Y
CE	Y		

Technical Specifications


Electrical Type	Three Phase	Starting Method	Across The Line
Poles	4	Rotation	Reversible
Mounting	Rigid Base	Drive End Bearing	Ball
Opp Drive End Bearing	Ball	Frame Material	Rolled Steel
Shaft Type	Keyed	Overall Length	13.44 in
Frame Length	9.66 in	Shaft Diameter	0.625 in
Shaft Extension	2.23 in		

This is an uncontrolled document once printed or downloaded and is subject to change without notice. Date Created:30/10/2019



108252

DASH	C	BS
956	13.44	6.25

		TOLERANCES UNLESS SPECIFIED		 Regal Beloit America, Inc.	DRAWN PVR 12/26/14				
		DEC.	INCHES		CHK PI 12/26/14				
		.X	±.1		APPD				
		.XX	±.03		SCALE 3=8				
		.XXX	±.005		REF				
		.XXXX	±.0005	MAT'L.	FMF				
NO.	REVISION	BY & DATE	CHK	ANG	±7'30"	FINISH	PREV		
THIS DRAWING IN DESIGN AND DETAIL IS OUR PROPERTY AND MUST NOT BE USED EXCEPT IN CONNECTION WITH OUR WORK ALL RIGHTS OF DESIGN AND INVENTION ARE RESERVED THIS IS AN ELECTRONICALLY GENERATED DOCUMENT - DO NOT SCALE THIS PRINT			RFP	CAD FILE 108252		SIZE A	DRAWING NO. 108252	PAGE OF	REV.
			DIST	WP					

