

PRODUCT INFORMATION PACKET



Model No: OB1104AV2ES
Catalog No: OB1104AV2ES

1.0 HP General Purpose Motor, 1 phase, 1800 RPM, 115/208-230 V, 56 Frame, ODP
Single Phase ODP Motors



Regal and Century are trademarks of Regal Beloit Corporation or one of its affiliated companies.
©2019 Regal Beloit Corporation, All Rights Reserved. MC017097E





Nameplate Specifications

Output HP	1.0 Hp	Output KW	0.75 kW
Frequency	60 Hz	Voltage	115/208-230 V
Current	8/4.4-4 A	Speed	1725 rpm
Service Factor	1.25	Phase	1
Duty	Continuous	Insulation Class	B
Frame	56	Enclosure	Drip Proof
Thermal Protection	Thermally Protected	Ambient Temperature	40 °C
UL	Recognized	CSA	Y
CE	Y		

Technical Specifications

Electrical Type	Shaded Pole	Starting Method	Across The Line
Poles	4	Rotation	Selective Counterclockwise
Mounting	Rigid Base	Drive End Bearing	Ball
Opp Drive End Bearing	Ball	Frame Material	Rolled Steel
Shaft Type	NEMA 56	Overall Length	12.49 in
Frame Length	6.75 in	Shaft Diameter	0.625 in
Shaft Extension	1.88 in		

This is an uncontrolled document once printed or downloaded and is subject to change without notice. Date Created:30/10/2019

Uncontrolled Copy

4 3 2 1

D

C

B

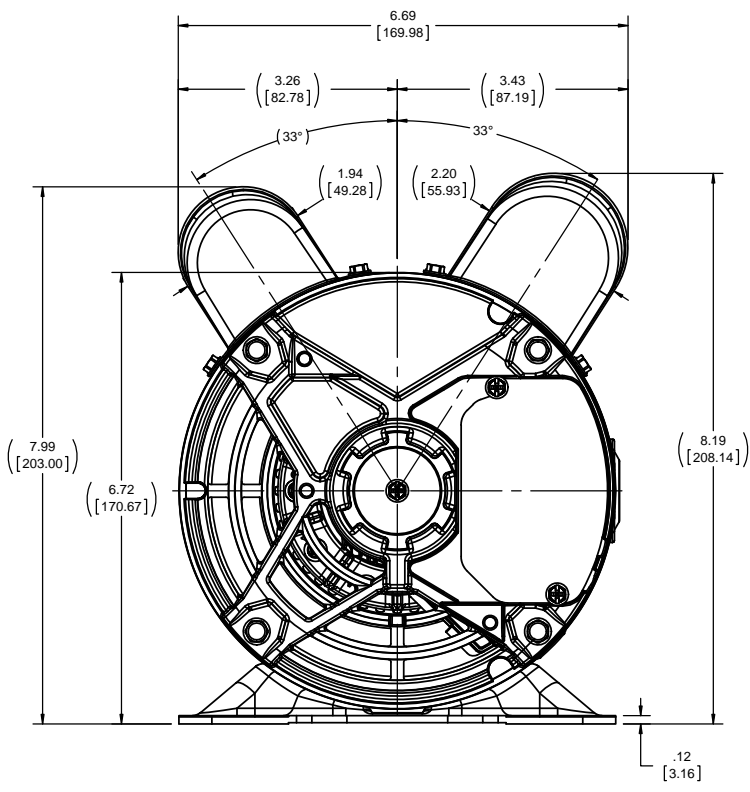
A

D

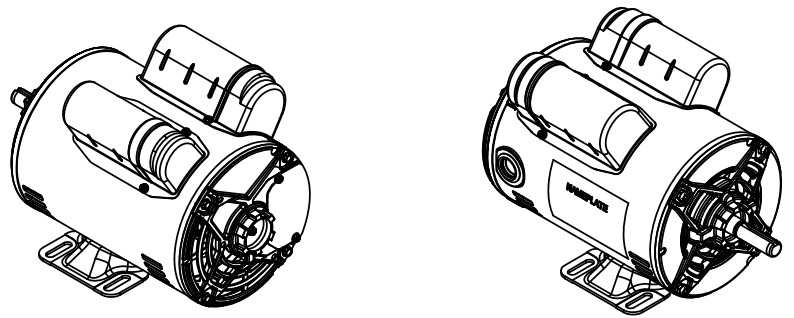
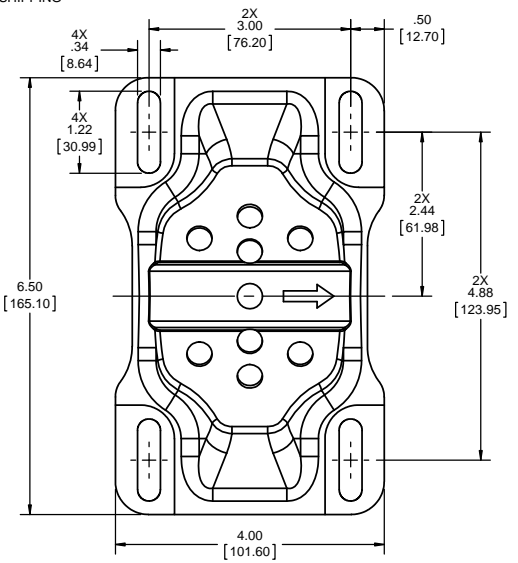
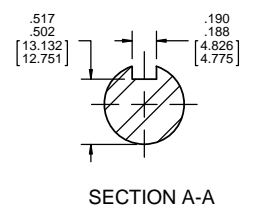
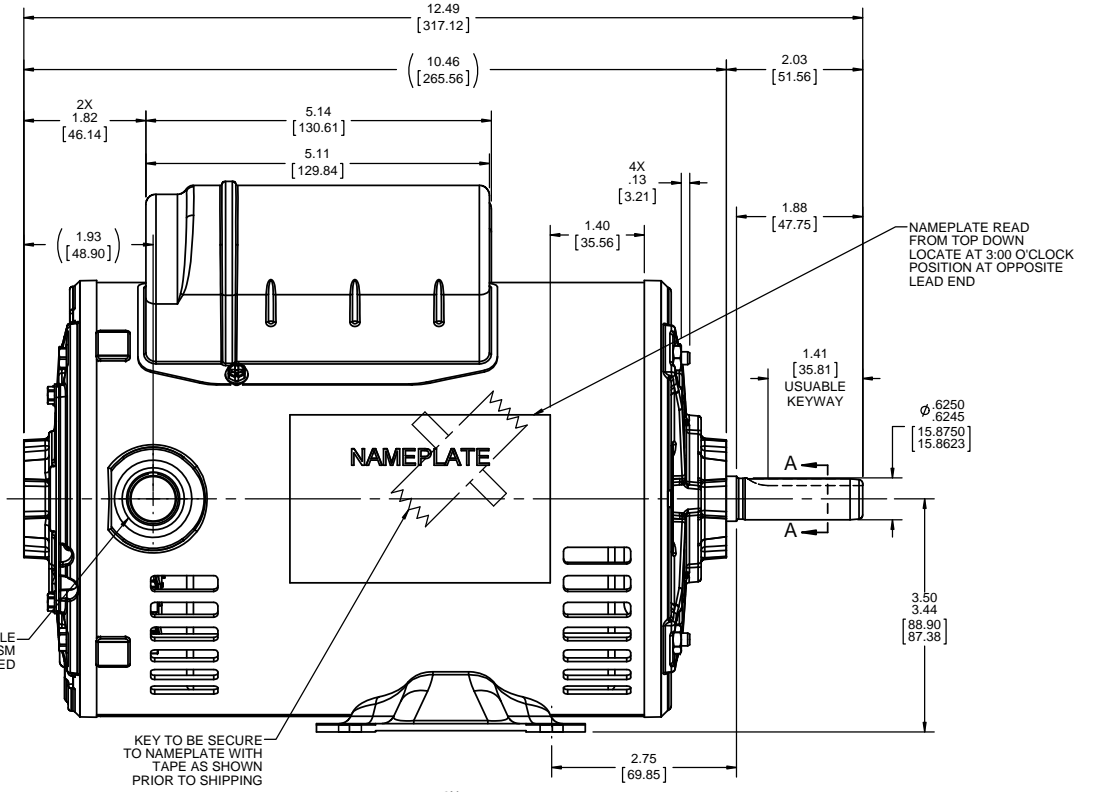
C

B

A



THREADED HOLE
1/2-14 NPSM
PLUGGED



DRAWING REVISION A	REVISION BY J.RUIZ	DATE 12-06-2016	TOLERANCES UNLESS OTHERWISE SPECIFIED: DEC. INCH mm ANGLE X ±0.1 [±2.5] 30.5° XX ±0.03 [±0.76] XXX ±0.005 [±0.127] .XXXX ±0.0005 [±0.0127]	DRAWN BY J.RUIZ	Regal Beloit America, Inc. DESCRIPTION OUTLINE 56FR,ODP,1-PHASE,RIGID
ECO-0114083	APPROVED BY J.ORTEGA	DATE 12-06-2016	REMOVE BURRS & BREAK SHARP EDGES: .003/.015 [0.076/.381] X 45° CORNER FILLETS: R.02 [51] MACHINED SURFACES: .125 / 3.2 INCH / mm THIRD ANGLE PROJECTION	DATE 12-06-2016	
ECO DESCRIPTION NEW MODEL RELEASE			REFERENCE	MATERIAL	PROCESS FINISH
COPYRIGHT REGAL BELOIT AMERICA, INC. ALL RIGHTS RESERVED. PROPRIETARY AND CONFIDENTIAL INFORMATION - THIS DOCUMENT IS THE PROPERTY OF REGAL BELOIT AMERICA, INC. FORMER AND CONTAINS OWNER'S PROPRIETARY INFORMATION. ANY PERSON, CORPORATION OR OTHER FIRM RECEIVING IT IS DEEMED, BY RECEIVING IT, TO AGREE THAT IT, AND/OR ANY PART OF IT, SHALL NOT BE DISCLOSED TO ANY PERSON, CORPORATION OR OTHER ENTITY, DUPLICATED, AND/OR USED, EXCEPT AS EXPRESSLY APPROVED IN WRITING IN ADVANCE BY OWNER. THIS DOCUMENT SHALL BE RETURNED TO OWNER UPON REQUEST. IT MAY BE SUBJECT TO CERTAIN RESTRICTIONS UNDER APPLICABLE EXPORT CONTROL LAWS AND REGULATIONS.			SIZE C	DRAWING NUMBER OL56100211-001	SHEET 1 OF 1