

PRODUCT INFORMATION PACKET



Model No: OB1024ES
Catalog No: OB1024ES
1/4 HP General Purpose Motor, 1 phase, 1800 RPM, 115/230 V, 48 Frame, ODP
Single Phase ODP Motors



Regal and Century are trademarks of Regal Beloit Corporation or one of its affiliated companies.
©2019 Regal Beloit Corporation, All Rights Reserved. MC017097E





Nameplate Specifications

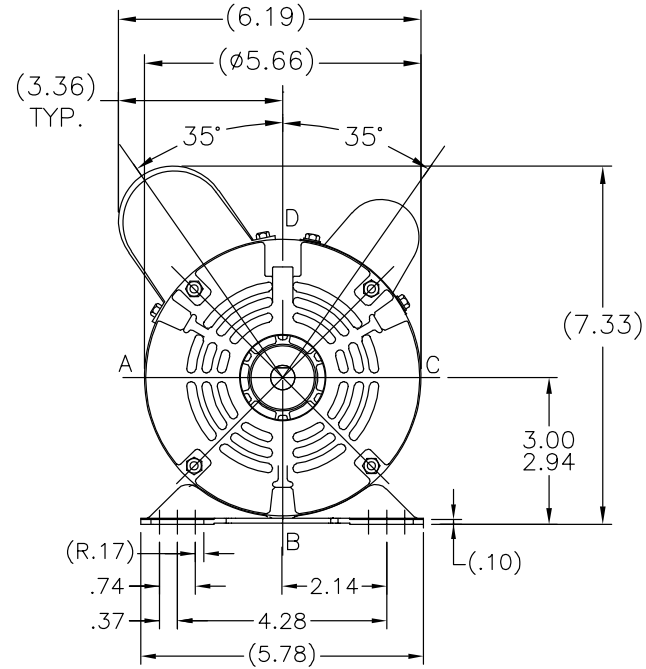
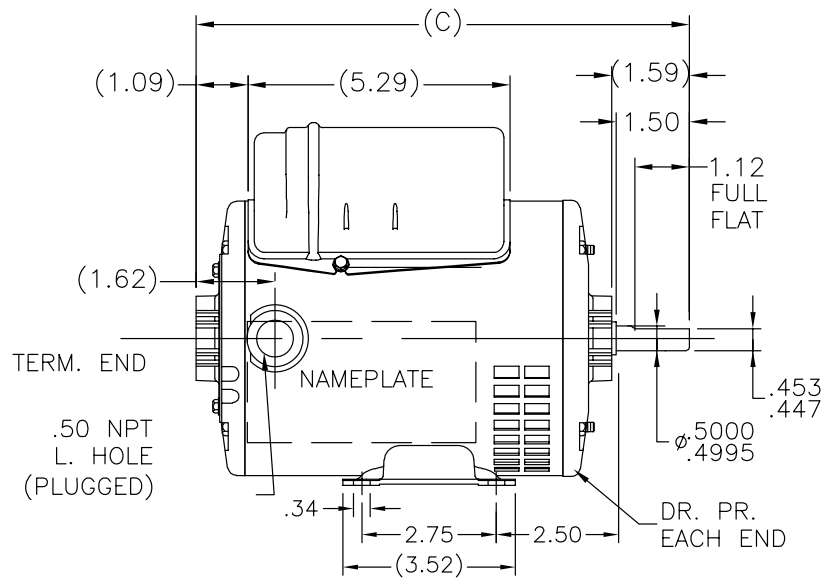
Output HP	1/4 Hp	Output KW	0.19 kW
Frequency	60 Hz	Voltage	115/230 V
Current	2.4/1.2 A	Speed	1725 rpm
Service Factor	1.35	Phase	1
Duty	Continuous	Insulation Class	B
Frame	48	Enclosure	Drip Proof
Thermal Protection	None	Ambient Temperature	40 °C
UL	Recognized	CSA	Y
CE	Y		

Technical Specifications

Electrical Type	Shaded Pole	Starting Method	Across The Line
Poles	4	Rotation	Reversible Counterclockwise
Mounting	Rigid base	Drive End Bearing	Ball
Opp Drive End Bearing	Ball	Frame Material	Rolled Steel
Shaft Type	Flat	Overall Length	10.34 in
Frame Length	6.88 in	Shaft Diameter	0.500 in
Shaft Extension	1.59 in		

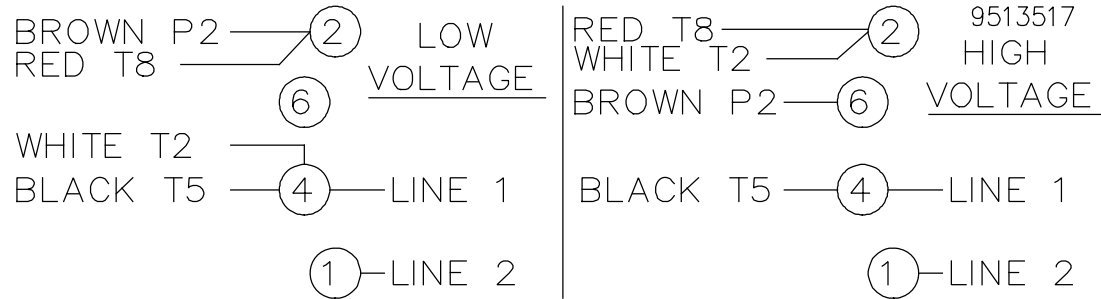
This is an uncontrolled document once printed or downloaded and is subject to change without notice. Date Created:30/10/2019

SS404130



DASH	FR	C	DASH	FR	C
625	48	9.84	725	48	10.84
650	48	10.09	750	48	11.09
675	48	10.34	775	48	11.34
700	48	10.59	800	48	11.59

		TOLERANCES UNLESS SPECIFIED		REGAL-BELOIT CORPORATION		DRAWN PVR 12/23/14	
		DEC.	INCHES	REGAL-BELOIT CORPORATION		CHK AB 12/23/14	
		.X	±.1	TITLE OUTLINE		APPD	
		.XX	±.03	48 FRAME		SCALE 1:1	
		.XXX	±.005	MAT'L.		REF SS404113	
A	CREATED NEW DRAWING	PVR 12/23/14	AB .XXXX ±.0005	FINISH		FMF 0B1024ES	
NO.	REVISION	BY & DATE	CHK ANG ±7'30"	RFP		PREV	
THIS DRAWING IN DESIGN AND DETAIL IS OUR PROPERTY AND MUST NOT BE USED EXCEPT IN CONNECTION WITH OUR WORK ALL RIGHTS OF DESIGN AND INVENTION ARE RESERVED THIS IS AN ELECTRONICALLY GENERATED DOCUMENT - DO NOT SCALE THIS PRINT				CAD FILE SS404130		SIZE A	DRAWING NO. PAGE 1 OF 1 REV. A
				DIST WP		SS404130	



ROTATION CCW-OPE TO REVERSE EITHER VOLTAGE
 INTERCHANGE BLACK(T5) WITH RED(T8) LEADS

				TOLERANCES UNLESS SPECIFIED			DRAWN TOM 06-21-1988			
				DEC.	INCHES		CHK	GK	06-21-1988	
				.X	±.1		APPD	FG	06-21-1988	
3	ADDED T MARKINGS	DS	07/19/2018	VC	.XX ±.02	TITLE CONNECTION DIAGRAM	SCALE 1=1			
2	REDRAWN IN AUTOCAD	TAT	10-22-2004	ML	.XXX ±.005		REF			
1	NEW DRAWING	TOM	06-24-1988		.XXXX ±.0005		FMF			
NO.	REVISION	BY & DATE	CHK	ANG	±7'30"	FINISH	PREV			
THIS DRAWING IN DESIGN AND DETAIL IS OUR PROPERTY AND MUST NOT BE USED EXCEPT IN CONNECTION WITH OUR WORK ALL RIGHTS OF DESIGN AND INVENTION ARE RESERVED THIS IS AN ELECTRONICALLY GENERATED DOCUMENT - DO NOT SCALE THIS PRINT				RFP	CAD FILE 9513517		SIZE	DRAWING NO.	PAGE OF	REV.
				DIST			A	9513517	3	3