

PRODUCT INFORMATION PACKET



Model No: K1150
Catalog No: K1150
1 1/2 HP Jet Pump Motor, 1 phase, 3600 RPM, 230/115 V, 56C Frame, ODP
Jet Pump Motors



Regal and Century are trademarks of Regal Beloit Corporation or one of its affiliated companies.
©2019 Regal Beloit Corporation, All Rights Reserved. MC017097E

The REGAL logo consists of the word 'REGAL' in a bold, white, sans-serif font, set against a dark grey, trapezoidal background. This logo is positioned on a blue, vertically-oriented decorative band that has a halftone dot pattern and a white diagonal line running through it.

REGAL



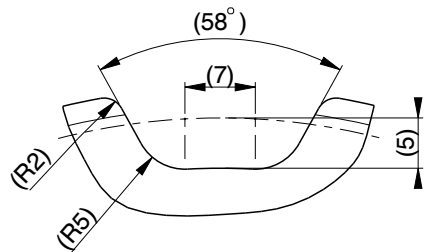
Nameplate Specifications

Output HP	1 1/2 Hp	Output KW	1.1 kW
Frequency	60 Hz	Voltage	230/115 V
Current	10.3/20.6 A	Speed	3450 rpm
Service Factor	1.3	Phase	1
Duty	Continuous	Insulation Class	B
Frame	56C	Enclosure	Open Drip Proof
Thermal Protection	Automatic	Ambient Temperature	40 °C
UL	No	CSA	Y
CE	N		

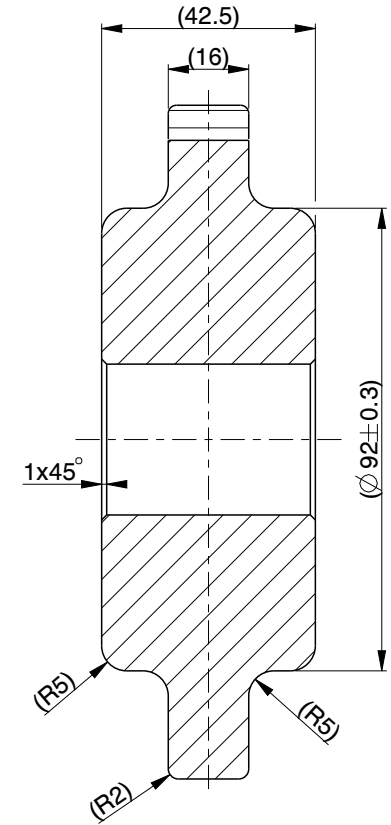
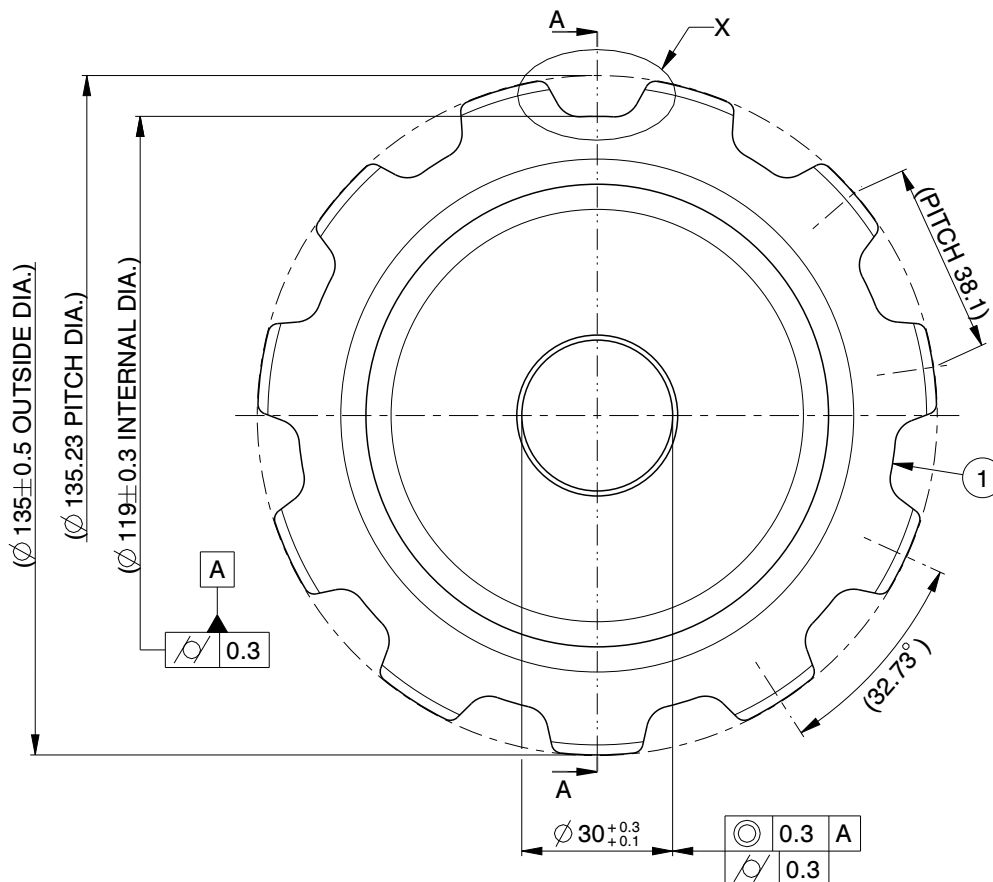
Technical Specifications

Electrical Type	Capacitor Start Induction Run	Starting Method	Across The Line
Poles	2	Rotation	Counterclockwise Pump End
Mounting	Round	Drive End Bearing	Ball
Opp Drive End Bearing	Ball	Frame Material	Rolled Steel
Shaft Type	Keyed	Overall Length	13.37 in
Frame Length	8.06 in	Shaft Diameter	0.625 in
Shaft Extension	2.06 in		

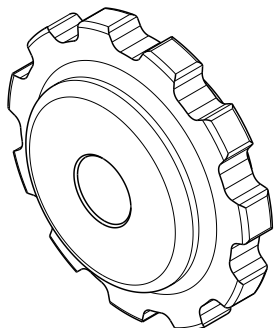
This is an uncontrolled document once printed or downloaded and is subject to change without notice. Date Created:30/10/2019



DETAIL: X
SCALE 2:1



SECTION A-A



SCALE 1:2

Pos	Code	Description	Qty	Material	Color
1	12429G	880-11R18M-RM	1	---	---

Experimental code	The 2D drawing is leading with respect to dimensions. For all dimensions not specifically mentioned refer to the 3D model.		Drawn by	Description		
Material description			A.KOTKAR	880-11R30M-RM		
Material code			Date	Long description		
Material color			19/08/2014	SPROCKET		
Weight	Unless individual indications, general tolerances according to ISO 2768-mK	POWER TRANSMISSION SOLUTIONS	NPI / ECN	Scale	Tool number	Sheet
397.3 g		Confidential Property of Power Transmission Solutions	C00570	1:1	---	1 of 1
		By accepting this document you agree to the following: This document and the information it contains is the property of Power Transmission Solutions. It must be held in strict confidence and be properly safeguarded by you at all times. It may only be used for the specific purpose that it was loaned to you. It may not be revealed to another party without prior written authorization from Power Transmission Solutions.	Do not scale drawing	Part number	Rev.	
				12430	A	