

PRODUCT INFORMATION PACKET



Model No: K1100
Catalog No: K1100
1 HP Jet Pump Motor, 1 phase, 3600 RPM, 230/115 V, 56C Frame, ODP
Jet Pump Motors



Regal and Century are trademarks of Regal Beloit Corporation or one of its affiliated companies.
©2019 Regal Beloit Corporation, All Rights Reserved. MC017097E

The REGAL logo consists of the word 'REGAL' in a bold, white, sans-serif font, set against a dark grey, trapezoidal background. This logo is positioned on a blue vertical bar that has a halftone dot pattern and a white diagonal line running through it.

REGAL



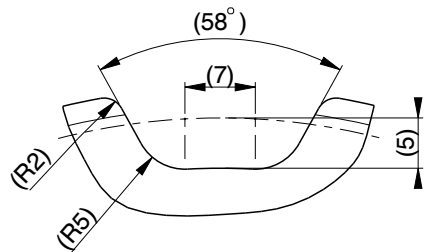
Nameplate Specifications

Output HP	1 Hp	Output KW	0.75 kW
Frequency	60 Hz	Voltage	230/115 V
Current	6.2/12.4 A	Speed	3450 rpm
Service Factor	1.4	Phase	1
Duty	Continuous	Insulation Class	B
Frame	56C	Enclosure	Open Drip Proof
Thermal Protection	Automatic	Ambient Temperature	40 °C
UL	No	CSA	Y
CE	N		

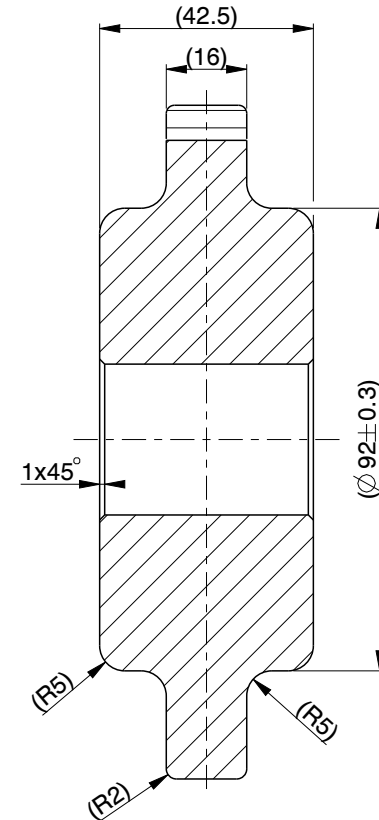
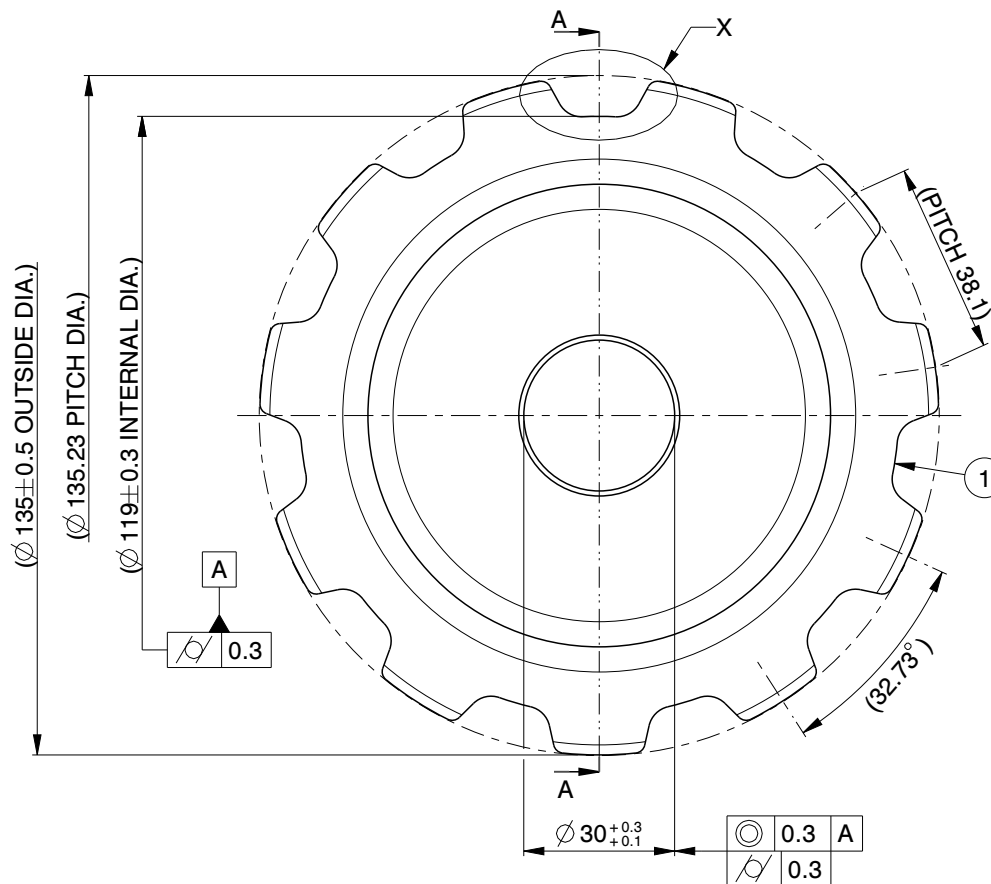
Technical Specifications

Electrical Type	Capacitor Start Induction Run	Starting Method	Across The Line
Poles	2	Rotation	Counterclockwise Pump End
Mounting	Round	Drive End Bearing	Ball
Opp Drive End Bearing	Ball	Frame Material	Rolled Steel
Shaft Type	Keyed	Overall Length	12.06 in
Frame Length	6.75 in	Shaft Diameter	0.625 in
Shaft Extension	2.06 in		

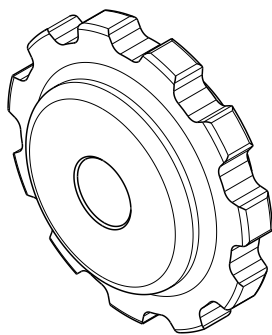
This is an uncontrolled document once printed or downloaded and is subject to change without notice. Date Created:30/10/2019



DETAIL: X
SCALE 2:1



SECTION A-A



SCALE 1:2

Pos	Code	Description	Qty	Material	Color																																																									
1	12429G	880-11R18M-RM	1	---	---																																																									
<table border="1"> <tr> <td>Experimental code</td> <td rowspan="5"> The 2D drawing is leading with respect to dimensions. For all dimensions not specifically mentioned refer to the 3D model. Unless individual indications, general tolerances according to ISO 2768-mK </td> <td rowspan="5"> </td> <td colspan="3">Description</td> </tr> <tr> <td>Material description</td> <td colspan="3">880-11R30M-RM</td> </tr> <tr> <td>Material code</td> <td colspan="3">Long description</td> </tr> <tr> <td>Material color</td> <td colspan="3">SPROCKET</td> </tr> <tr> <td>Weight</td> <td colspan="3">Scale</td> </tr> <tr> <td></td> <td>397.3 g</td> <td></td> <td>1:1</td> <td>Tool number</td> <td>Sheet</td> </tr> <tr> <td></td> <td></td> <td></td> <td></td> <td>---</td> <td>1 of 1</td> </tr> <tr> <td></td> <td></td> <td></td> <td></td> <td colspan="2">Part number</td> </tr> <tr> <td></td> <td></td> <td></td> <td></td> <td colspan="2">12430</td> </tr> <tr> <td></td> <td></td> <td></td> <td></td> <td></td> <td>Rev.</td> </tr> <tr> <td></td> <td></td> <td></td> <td></td> <td></td> <td>A</td> </tr> </table>			Experimental code	The 2D drawing is leading with respect to dimensions. For all dimensions not specifically mentioned refer to the 3D model. Unless individual indications, general tolerances according to ISO 2768-mK		Description			Material description	880-11R30M-RM			Material code	Long description			Material color	SPROCKET			Weight	Scale				397.3 g		1:1	Tool number	Sheet					---	1 of 1					Part number						12430							Rev.						A		
Experimental code	The 2D drawing is leading with respect to dimensions. For all dimensions not specifically mentioned refer to the 3D model. Unless individual indications, general tolerances according to ISO 2768-mK		Description																																																											
Material description			880-11R30M-RM																																																											
Material code			Long description																																																											
Material color			SPROCKET																																																											
Weight			Scale																																																											
	397.3 g		1:1	Tool number	Sheet																																																									
				---	1 of 1																																																									
				Part number																																																										
				12430																																																										
					Rev.																																																									
					A																																																									