

PRODUCT INFORMATION PACKET



Model No: K102V2

Catalog No: K102V2

1 HP General Purpose Farm Duty Motor, 1 phase, 1800 RPM, 115/230 V, 143T Frame, TEFC
Single Phase Farm Duty Motors



Regal and Century are trademarks of Regal Beloit Corporation or one of its affiliated companies.

©2019 Regal Beloit Corporation, All Rights Reserved. MC017097E

REGAL



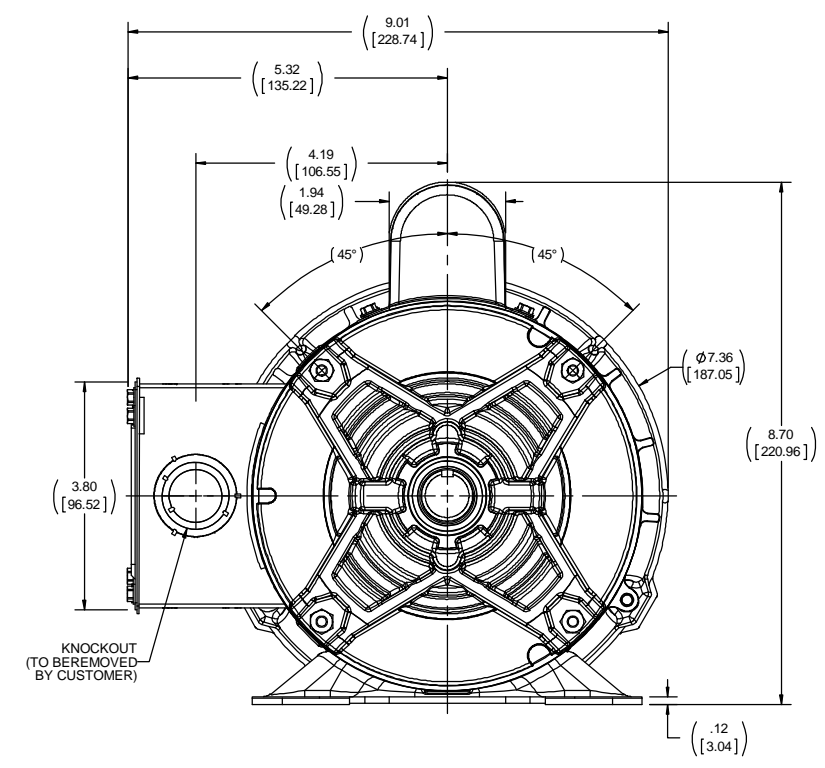
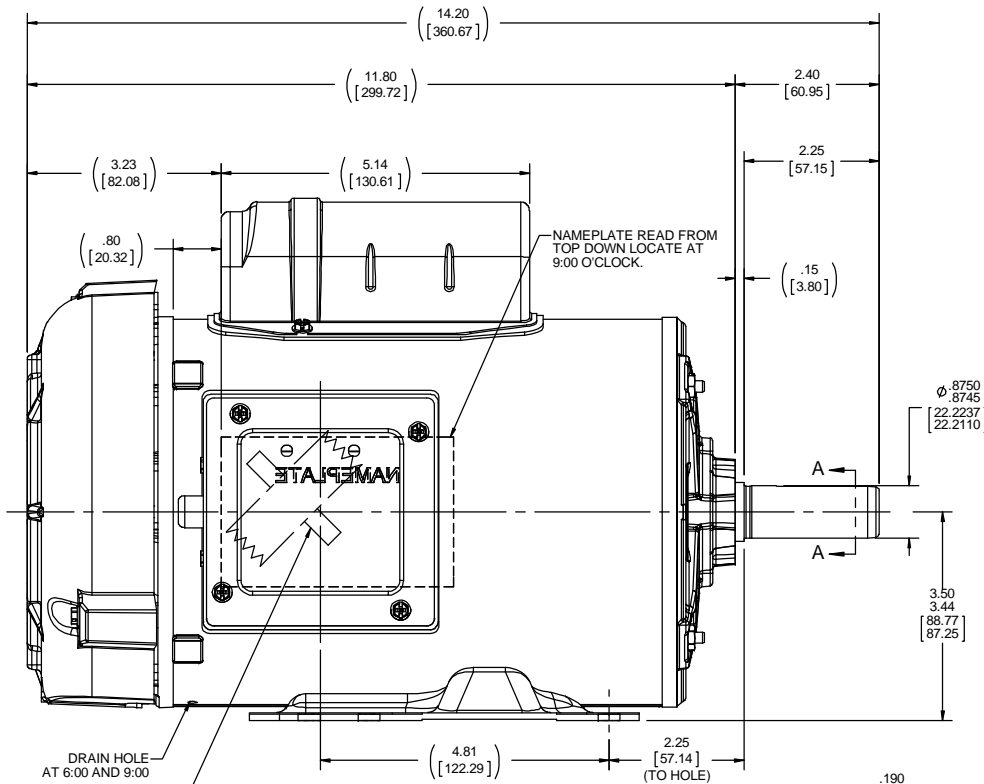
Nameplate Specifications

Output HP	1 Hp	Output KW	0.75 kW
Frequency	60 Hz	Voltage	115/230 V
Current	13.5/6.8 A	Speed	1725 rpm
Service Factor	1	Phase	1
Duty	Continuous	Insulation Class	B
Frame	143T	Enclosure	Totally Enclosed Fan Cooled
Thermal Protection	Thermally Protected	Ambient Temperature	40 °C
UL	Recognized	CSA	Y
CE	Y		

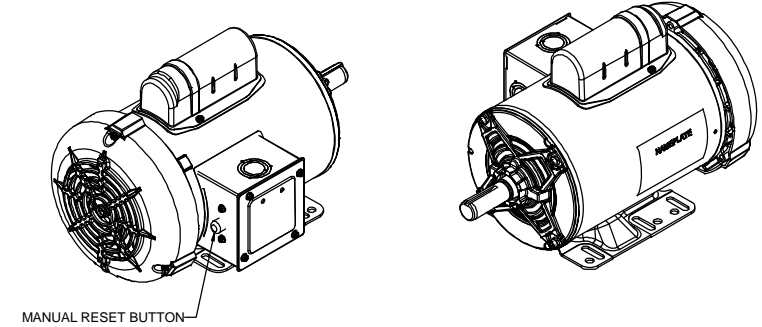
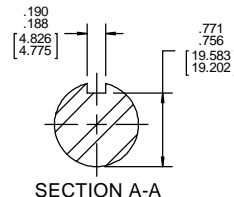
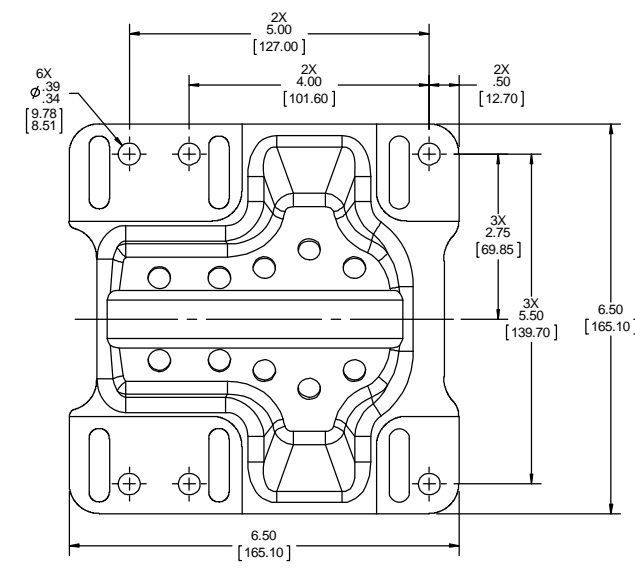
Technical Specifications

Electrical Type	Capacitor Start Induction Run	Starting Method	Across The Line
Poles	4	Rotation	Selective Counterclockwise
Mounting	Rigid base	Drive End Bearing	Ball
Opp Drive End Bearing	Ball	Frame Material	Rolled Steel
Shaft Type	T	Overall Length	14.20 in
Frame Length	8.15 in	Shaft Diameter	0.875 in
Shaft Extension	2.25 in		

This is an uncontrolled document once printed or downloaded and is subject to change without notice. Date Created:30/10/2019



KEY TO BE SECURE TO NAMEPLATE WITH TAPE, AS SHOWN PRIOR TO SHIPPING



DRAWING REVISION A	REVISION BY	DATE	TOLERANCES UNLESS OTHERWISE SPECIFIED: DEC. INCH mm ANGLE	DRAWN BY D.SURYAWANSHI	Regal Beloit America, Inc.
ECO-0142440	APPROVED BY	DATE	.X ±0.1 [2.5] 30.5° .XX ±0.02 [0.51] .XXX ±0.005 [0.127] .XXXX ±0.0005 [0.0127]	DATE 06/19/2018	
NEW DRAWING RELEASE			REMOVE BURRS & BREAK SHARP EDGES: .0031 [0.078] .3811 X 45° CORNER FILLETS: R.02 [.51]	APPROVED BY SN	DESCRIPTION OUTLINE
COPYRIGHT REGAL BELOIT AMERICA, INC. ALL RIGHTS RESERVED. PROPRIETARY AND CONFIDENTIAL INFORMATION. THIS DOCUMENT IS THE PROPERTY OF REGAL BELOIT AMERICA, INC. FORMERLY AND CONTAINING OWNERS PROPRIETARY INFORMATION. ANY PERSON, CORPORATION OR OTHER FIRM RECEIVING IT IS DEEMED BY RECEIVING IT, TO AGREE THAT IT, AND/OR ANY PART OF IT, SHALL NOT BE DISCLOSED TO ANY PERSON, CORPORATION OR OTHER ENTITY, DUPLICATED, AND/OR USED, EXCEPT AS EXPRESSLY APPROVED IN WRITING IN ADVANCE BY OWNER. THIS DOCUMENT SHALL BE RETURNED TO OWNER UPON REQUEST. IT MAY BE SUBJECT TO CERTAIN RESTRICTIONS UNDER APPLICABLE EXPORT CONTROL LAWS AND REGULATIONS.			MACHINED SURFACES: 125 INCH/3.2 mm SHOWN IN [BRACKETS]	DATE 06/19/2018	MATERIAL 56FR, TEFC, RIGID, 1-PHASE
			THIRD ANGLE PROJECTION	REFERENCE OLME175144	PROCESS/FINISH
				SIZE C	DRAWING NUMBER OL56100491-001
					SHEET 1 OF 1