

# PRODUCT INFORMATION PACKET



Model No: K100V1  
Catalog No: K100V1

1.000 HP General Purpose Motor, 1 phase, 1800 RPM, 208-230/115 V, 143T Frame, TEFC  
Single Phase TEFC Motors



Regal and Century are trademarks of Regal Beloit Corporation or one of its affiliated companies.  
©2019 Regal Beloit Corporation, All Rights Reserved. MC017097E

The REGAL logo consists of the word 'REGAL' in a bold, white, sans-serif font, set against a dark grey rectangular background with a slight shadow effect.

REGAL



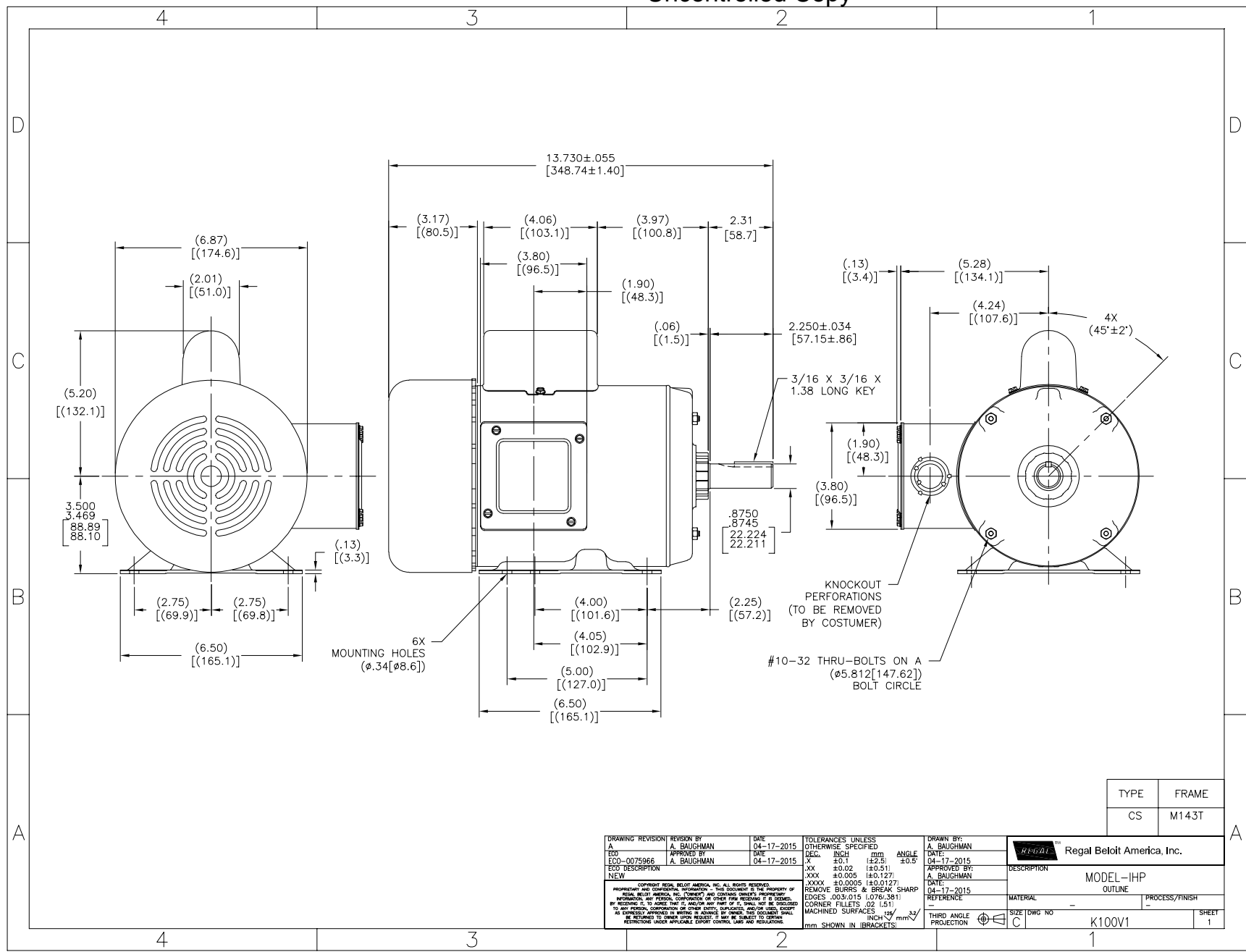
**Nameplate Specifications**

|                    |                       |                     |                                    |
|--------------------|-----------------------|---------------------|------------------------------------|
| Output HP          | <b>1.000 Hp</b>       | Output KW           | <b>0.75 kW</b>                     |
| Frequency          | <b>60 Hz</b>          | Voltage             | <b>208-230/115 V</b>               |
| Current            | <b>7.7-7.5/15.0 A</b> | Speed               | <b>1745 rpm</b>                    |
| Service Factor     | <b>1.15</b>           | Phase               | <b>1</b>                           |
| Duty               | <b>Continuous</b>     | Insulation Class    | <b>B</b>                           |
| Frame              | <b>M143T</b>          | Enclosure           | <b>Totally Enclosed Fan Cooled</b> |
| Thermal Protection | <b>None</b>           | Ambient Temperature | <b>40 °C</b>                       |
| UL                 | <b>Recognized</b>     | CSA                 | <b>Y</b>                           |
| CE                 | <b>N</b>              |                     |                                    |

**Technical Specifications**

|                       |   |                   |                                    |
|-----------------------|---|-------------------|------------------------------------|
| Electrical Type       | <b>Capacitor Start, Induction Run, Single Or Dual Voltage</b> | Starting Method   | <b>Across The Line</b>             |
| Poles                 | <b>4</b>  | Rotation          | <b>Reversible Counterclockwise</b> |
| Mounting              | <b>Rigid Base</b>   | Drive End Bearing | <b>Ball</b>                        |
| Opp Drive End Bearing | <b>Ball</b>   | Frame Material    | <b>Rolled Steel</b>                |
| Shaft Type            | <b>Keyed</b>  | Overall Length    | <b>13.73 in</b>                    |
| Frame Length          | <b>6.75 in</b>  | Shaft Diameter    | <b>0.875 in</b>                    |
| Shaft Extension       | <b>2.31 in</b>  |                   |                                    |

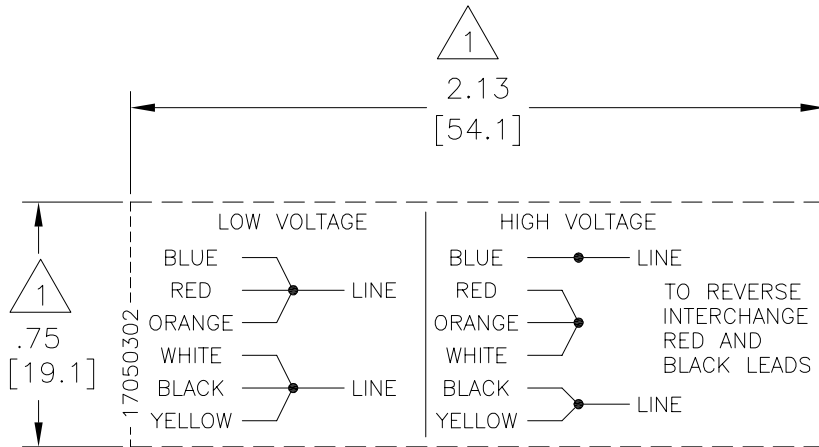
This is an uncontrolled document once printed or downloaded and is subject to change without notice. Date Created:04/11/2019



|      |       |
|------|-------|
| TYPE | FRAME |
| CS   | M143T |

|   |                            |                    |  |                             |
|---|----------------------------|--------------------|--|-----------------------------|
| DRAWING REVISION<br>A   | REVISION BY<br>A. BAUGHMAN | DATE<br>04-17-2015 | TOLERANCES UNLESS OTHERWISE SPECIFIED<br>DEC INCH mm ANGLE<br>X ±0.1 (±2.5) ±0.5°<br>XX ±0.02 (±0.51)<br>XXX ±0.005 (±0.127)<br>XXXX ±0.0005 (±0.0127) | DRAWN BY:<br>A. BAUGHMAN    |
| ECC-0075966   | APPROVED BY<br>A. BAUGHMAN | DATE<br>04-17-2015 | REMOVE BURRS & BREAK SHARP EDGES .003/.015 (0.076/.381) CORNER FILLETS .02 (1.51) MACHINED SURFACES .15/ .32/ mm SHOWN IN BRACKETS                     | DATE:<br>04-17-2015         |
| NEW   |                            |                    |  | APPROVED BY:<br>A. BAUGHMAN |
| <small>COPYRIGHT REGAL BELLOI AMERICA, INC. ALL RIGHTS RESERVED. PROPRIETARY AND CONFIDENTIAL INFORMATION - THIS DOCUMENT IS THE PROPERTY OF REGAL BELLOI AMERICA, INC. IT IS TO BE KEPT AND CONTROLLED AS SUCH. NO REPRODUCTION, DISTRIBUTION, OR OTHER DISSEMINATION OF THIS DOCUMENT IS TO BE MADE WITHOUT THE WRITTEN PERMISSION OF REGAL BELLOI AMERICA, INC. ANY REPRODUCTION, DISTRIBUTION, OR OTHER DISSEMINATION OF THIS DOCUMENT WITHOUT THE WRITTEN PERMISSION OF REGAL BELLOI AMERICA, INC. IS STRICTLY PROHIBITED. REGAL BELLOI AMERICA, INC. SHALL NOT BE LIABLE FOR ANY DAMAGES, INCLUDING CONSEQUENTIAL DAMAGES, ARISING FROM THE USE OF THIS DOCUMENT. REGAL BELLOI AMERICA, INC. SHALL NOT BE LIABLE FOR ANY DAMAGES, INCLUDING CONSEQUENTIAL DAMAGES, ARISING FROM THE USE OF THIS DOCUMENT.</small> |                            |                    | DESCRIPTION<br>MODEL-IHP<br>OUTLINE  | DATE:<br>04-17-2015         |
|   |                            |                    |  | MATERIAL<br>-               |
|   |                            |                    |  | PROCESS/FINISH<br>-         |
|   |                            |                    |  | SIZE (DWG NO)<br>K100V1     |
|   |                            |                    |  | THIRD ANGLE PROJECTION      |
|   |                            |                    |  | SHEET<br>1                  |

|     |             |        |            |               |            |
|-----|-------------|--------|------------|---------------|------------|
| REV | ECO         | REV BY | DATE       | APPD          | DATE       |
| Y   | ECO-0022098 | J. COX | 04-24-2012 | C. McREYNOLDS | 04-24-2012 |



NOTES:

1. DOTTED BOX REPRESENTS TOTAL PRINTED AREA ALLOWED FOR CONNECTION DIAGRAM TO FIT IN. THIS AREA DOES NOT INCLUDE THE BORDER AROUND THE CONNECTION DIAGRAM. SEE NAMEPLATE DRAWING 170500 OR 170501 FOR LOCATION.
2. DETAILS ARE NOT TO BE COPIED FROM DRAWING, BUT ARE TO BE REPRODUCED FROM ORIGINAL ARTWORK FURNISHED.
3. CHARACTERS ARE TO BE A MINIMUM OF .03[.8] TO .06[1.5] MAXIMUM IN HEIGHT.

GEOMETRIC CHARACTERISTICS & SYMBOLS

- ▭ FLATNESS
- STRAIGHTNESS
- ∠ ANGULARITY
- ⊥ PERPENDICULARITY (SQUARENESS)
- ∥ PARALLELISM
- ROUNDNESS (CIRCULARITY)
- ⊘ CYLINDRICITY
- △ PROFILE OF ANY SURFACE
- ⌒ PROFILE OF ANY LINE
- ↶ RUNOUT
- ⊕ TRUE POSITION
- ⊗ CONCENTRICITY
- ⊖ SYMMETRY

ASME Y14.5M 1994

UNLESS OTHERWISE SPECIFIED  
DIM. TOLERANCES ARE AS FOLLOWS:

|      |      |       |        |        |
|------|------|-------|--------|--------|
| INCH | ±.1  | ±.02  | ±.005  | ±.0005 |
| mm   | ±0.5 | ±0.13 | ±0.013 |        |

ANG. ±.50 DEG  
REMOVE BURRS & BREAK SHARP EDGES:  
INCH .003-.015 mm 0.1-0.4

CORNER FILLETS TO:  
INCH .020 mm 0.5

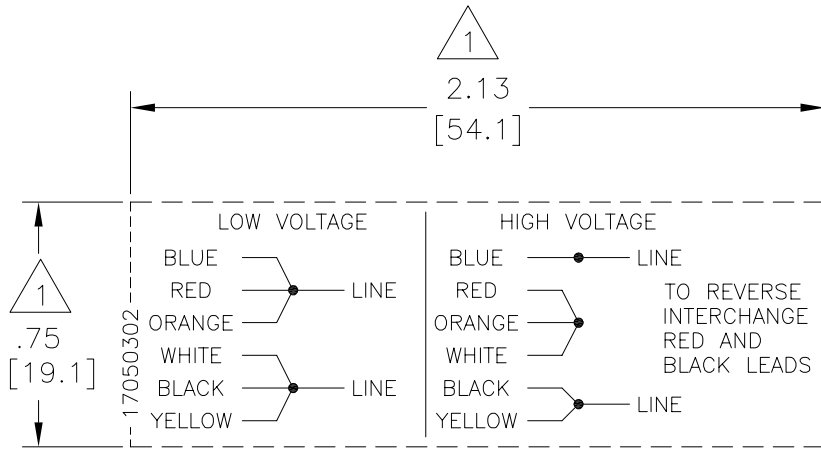
MACHINE SURFACES:  
INCH 125 mm 3.2

METRIC DIMS. SHOWN IN [BRACKETS]

|  |     |                                     |
|--|-----|-------------------------------------|
| DR BY:   | MLC | 03-04-1985                          |
| APPD:  | MLC | 03-13-1985                          |
| THIRD ANGLE PROJECTION   |     | EDS DATE 11-11-2011<br>FORMAT REV G |
| CONFIDENTIAL: THIS DRAWING AND ITS INFORMATION ARE THE EXCLUSIVE AND CONFIDENTIAL PROPERTY OF REGAL-BELOIT CORPORATION AND ARE NOT TO BE DISCLOSED, DUPLICATED, DISTRIBUTED OR OTHERWISE USED WITHOUT THE WRITTEN CONSENT OF REGAL-BELOIT CORPORATION. -ALL RIGHTS RESERVED. |     |                                     |

|                                       |                    |
|---------------------------------------|--------------------|
|                                       |                    |
| DESCRIPTION<br>CONN DIAGRAM-NAMEPLATE |                    |
| SIZE<br>A                             | DWG NO<br>17050302 |
| SCALE<br>NONE                         | SHEET<br>1         |

|           |             |               |        |        |            |               |               |        |            |
|-----------|-------------|---------------|--------|--------|------------|---------------|---------------|--------|------------|
| REVISION: | ECO         | REVISADO POR: | J. COX | FECHA: | 04-24-2012 | APROBADO POR: | C. McREYNOLDS | FECHA: | 04-24-2012 |
| Y         | ECO-0022098 |               |        |        |            |               |               |        |            |



NOTAS:

- LA CAJA PUNTEADA REPRESENTA EL AREA TOTAL IMPRESA PERMITIDA PARA EL DIAGRAMA DE CONEXION PARA QUE ENCAJE EN ESTA AREA NO INCLUYE EL BORDE AL REDEDOR DEL DIAGRAMA DE CONEXION. VER DIBUJO DE PLACA DE DATOS 170500 O 170501 PARA UBICACION.
- LOS DETALLES NO DEBEN SER COPIADOS DEL DIBUJO, PERO VA A SER REPRODUCIDA DEL TRABAJO ORIGINAL SUMINISTRADO.
- LOS CARACTERES SON DE UN MINIMO DE .03[.8] A .06[1.5] EN ALTURA MAXIMA.

CARACTERISTICAS DE GEOMETRIA Y SIMBOLOS

- ∇ PLANICIDAD
- RECTITUD
- ∠ ANGULARIDAD
- ⊥ PERPENDICULARIDAD (A ESCUADRA)
- // PARALELISMO
- REDONDEZ (CIRCULARIDAD)
- ⊘ CILINDRICIDAD
- △ PERFIL DE CUALQUIER SUPERFICIE
- ∩ PERFIL DE CUALQUIER LINEA
- ↑ VARIACION
- ⊙ POSICION REAL
- ⊕ CONCENTRICIDAD
- ⊖ SIMETRIA

ASME Y14.5M 1994

A MENOS QUE SE ESPECIFIQUE DE OTRA MANERA, LAS TOLERANCIAS DE LAS DIMS. SON LAS SIGUIENTES:

|      |      |       |        |        |
|------|------|-------|--------|--------|
| PULG | ±.1  | ±.02  | ±.005  | ±.0005 |
| mm   | ±0.5 | ±0.13 | ±0.013 |        |

ANG. ±50 GRADOS  
ELIMINAR REBABAS Y ORILLAS FILOSAS DEL BORDE.

|                   |           |      |         |     |
|-------------------|-----------|------|---------|-----|
| PULG              | .003-.015 | mm   | 0.1-0.4 |     |
| FILETEAR ESQUINA: | PULG      | .020 | mm      | 0.5 |

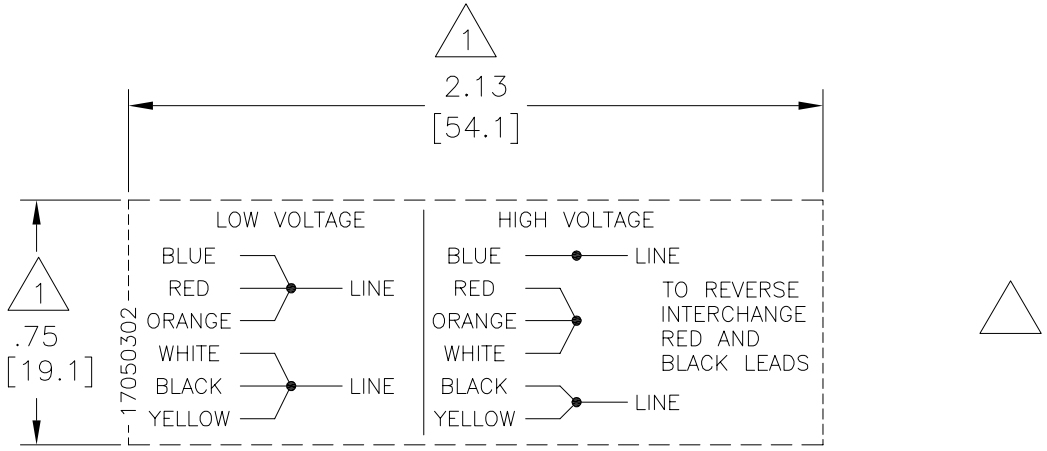
MAQUINAR SUPERFICIES  
PULG 125 mm 3.2

DIMS METRICAS MOSTRADAS [PARENTESIS]

|   |     |  |
|---|-----|--|
| DIBUJADO POR:   | MLC | 03-04-1985                               |
| APROBADO POR:   | MLC | 03-13-1985                               |
| TERCER ANGULO DE PROYECCION   |     | FECHA EDS: 11-11-2011<br>REV. FORMATO: G |
| CONFIDENCIAL: ESTE DIBUJO Y SU INFORMACION SON PROPIEDAD DE USO EXCLUSIVO Y CONFIDENCIAL DE REGAL-BELOIT CORPORATION Y NO DEBERAN SER REVELADOS, DUPLICADOS, DISTRIBUIDOS O USARSE DE OTRA MANERA SIN EL CONSENTIMIENTO ESCRITO DE REGAL-BELOIT CORPORATION.-TODOS LOS DERECHOS RESERVADOS. |     |  |

|  |                            |
|--|----------------------------|
|  |                            |
| DESCRIPCION:<br>CONN DIAGRAM-NAMEPLATE |                            |
| TAMAÑO: A                              | NUMERO DE DIBUJO: 17050302 |
| ESCALA: NONE                           | HOJA: 1                    |

|    |             |        |            |               |            |
|----|-------------|--------|------------|---------------|------------|
| 版本 | ECO         | 编制     | 日期         | 批准            | 日期         |
| Y  | ECO-0022098 | J. COX | 04-24-2012 | C. McREYNOLDS | 04-24-2012 |



|        |                          |
|--------|--------------------------|
| 形位公差   | 除另有注明                    |
| □ 平面度  | 尺寸公差如下:                  |
| — 直线度  | 英寸 X XX XXX XXXX         |
| ∠ 倾斜度  | 英寸 ±.1 ±.02 ±.005 ±.0005 |
| ⊥ 垂直度  | 毫米 ±0.5 ±0.13 ±0.013     |
| ∥ 平行度  | 角度 ±.50 度                |
| ○ 圆度   | 清理毛刺和尖棱                  |
| ⊘ 圆柱度  | 英寸 .003-.015 毫米 0.1-0.4  |
| ⊙ 面轮廓度 | 内圆角                      |
| ⊖ 线轮廓度 | 英寸 .020 毫米 0.5           |
| ⌒ 圆跳动  | 表面粗糙度                    |
| ⊕ 位置度  | 英制 125 米制 3.2            |
| ⊙ 同轴度  | 米制尺寸显示在 [ ]              |
| ≡ 对称度  |                          |

|                  |
|------------------|
| ASME Y14.5M 1994 |
|------------------|

|  |     |                                 |
|--|-----|---------------------------------|
| 绘图:  | MLC | 03-04-1985                      |
| 批准:  | MLC | 03-13-1985                      |
| 第三角投影  |     | 图纸格式发布日期 11-11-2011<br>图纸格式版本 G |
| 机密:本图纸及相关信息所有权归REGAL-BELOIT CORPORATION. 未经REGAL-BELOIT CORPORATION书面授权, 不得泄露、复制、传播或作其他用途。--版权所有 |     |                                 |

|                              |                |
|------------------------------|----------------|
|                              |                |
| 名称<br>CONN DIAGRAM-NAMEPLATE |                |
| 图幅<br>A                      | 图号<br>17050302 |
| 比例<br>NONE                   | 页号<br>1        |