

PRODUCT INFORMATION PACKET



Model No: HW2024BL
Catalog No: HW2024BL
1/4 HP Circulator pump Motor, 1 phase, 1800 RPM, 115 V, 48 Frame, ODP
Circulator Pump Motors



Regal and Century are trademarks of Regal Beloit Corporation or one of its affiliated companies.
©2019 Regal Beloit Corporation, All Rights Reserved. MC017097E





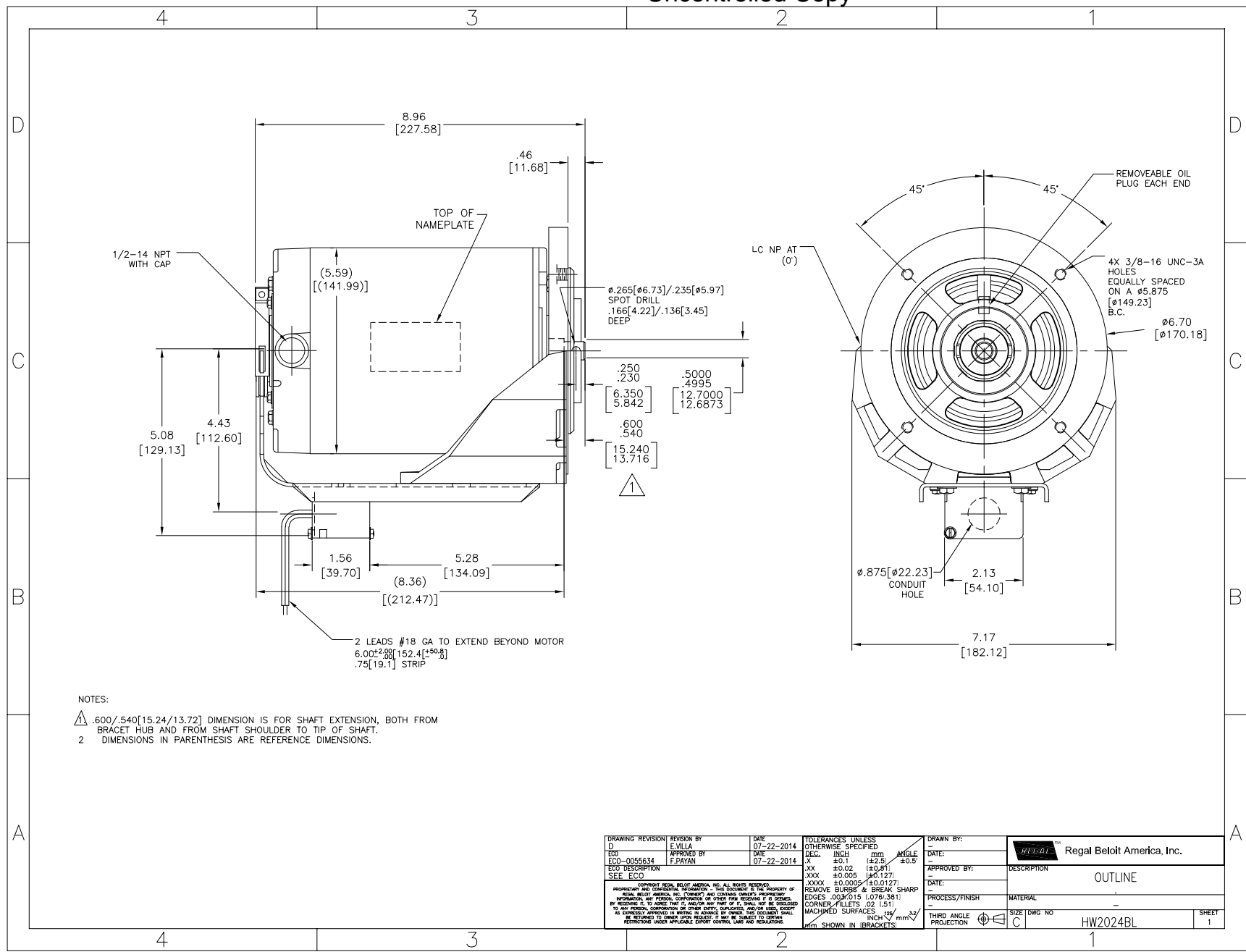
Nameplate Specifications

Output HP	1/4 Hp	Output KW	0.19 kW
Frequency	60 Hz	Voltage	115 V
Current	4.6 A	Speed	1725 rpm
Service Factor	1.25	Phase	1
Duty	Continuous	Insulation Class	B
Frame	48	Enclosure	Open Drip Proof
Thermal Protection	Automatic	Ambient Temperature	40 °C
UL	Recognized	CSA	Y
CE	N		

Technical Specifications

Electrical Type	Split Phase, Induction Run, Single Or Dual Voltage	Starting Method	Across The Line
Poles	4	Rotation	Reversible
Mounting	Resilient Base	Drive End Bearing	Ball
Opp Drive End Bearing	Ball	Frame Material	Rolled Steel
Shaft Type	Spot Drill	Overall Length	8.96 in
Frame Length	5.59 in	Shaft Diameter	0.500 in
Shaft Extension	0.6 in		

This is an uncontrolled document once printed or downloaded and is subject to change without notice. Date Created:30/10/2019



NOTES:
 ⚠ .600/.540[15.24/13.72] DIMENSION IS FOR SHAFT EXTENSION, BOTH FROM BRACET HUB AND FROM SHAFT SHOULDER TO TIP OF SHAFT.
 2 DIMENSIONS IN PARENTHESIS ARE REFERENCE DIMENSIONS.

DRAWING REVISION		REVISION BY	DATE	TOLERANCES UNLESS OTHERWISE SPECIFIED		DRAWN BY:	
D		E. VILLA	07-22-2014	DEC	INCH	mm	ANGLE
ECO	0055634	F. PAYAN	07-22-2014	X	±0.1	(±2.5)	±0.5°
ECO DESCRIPTION SEE ECO				XXX	±0.02	(±0.81)	
<small> COPYRIGHT REGAL BELLOI AMERICA, INC. ALL RIGHTS RESERVED. PROPRIETARY AND CONFIDENTIAL INFORMATION - THIS DOCUMENT IS THE PROPERTY OF REGAL BELLOI AMERICA, INC. PROPERTY AND CONFIDENTIAL INFORMATION. INFORMATION, NO PERSON, CORPORATION OR OTHER ENTITY, SHALL BE PERMITTED TO REPRODUCE, COPY, TRANSMIT, OR DISCLOSE ANY PART OF THIS DRAWING WITHOUT THE WRITTEN PERMISSION OF REGAL BELLOI AMERICA, INC. NO PART OF THIS DRAWING SHALL BE REPRODUCED, COPIED, TRANSMITTED, OR DISCLOSED IN ANY MANNER, OR FOR ANY PURPOSE, WITHOUT THE WRITTEN PERMISSION OF REGAL BELLOI AMERICA, INC. THIS DRAWING IS THE PROPERTY OF REGAL BELLOI AMERICA, INC. AND SHALL BE RETURNED TO CHIEF ENGINEER, REGAL BELLOI AMERICA, INC. UPON REQUEST. IT MAY BE SUBJECT TO PATENT PROTECTION UNDER APPLICABLE PATENT, TRADEMARK AND REGULATORY LAWS. </small>				XXXX	±0.0005	(±0.0127)	
				REMOVE BURRS & BREAK SHARP	EDGES	0.03/0.15	(0.76/3.81)
				CORNER RADIUS	02	1.51	
				MACHINED SURFACES	1/32		
				mm SHOWN IN BRACKETS	INCH	mm	3/32
APPROVED BY:		DATE:		PROCESS/FINISH:		MATERIAL:	
APPROVED BY:		DATE:		THIRD ANGLE PROJECTION		SIZE (DWG NO)	
				C		HW2024BL	
DESCRIPTION		OUTLINE		SHEET		1	