

PRODUCT INFORMATION PACKET



Model No: HW2004L
Catalog No: HW2004L
1/8 HP Circulator pump Motor, 1 phase, 1800 RPM, 115 V, 48Z Frame, ODP
Circulator Pump Motors



Regal and Century are trademarks of Regal Beloit Corporation or one of its affiliated companies.

©2019 Regal Beloit Corporation, All Rights Reserved. MC017097E





Nameplate Specifications

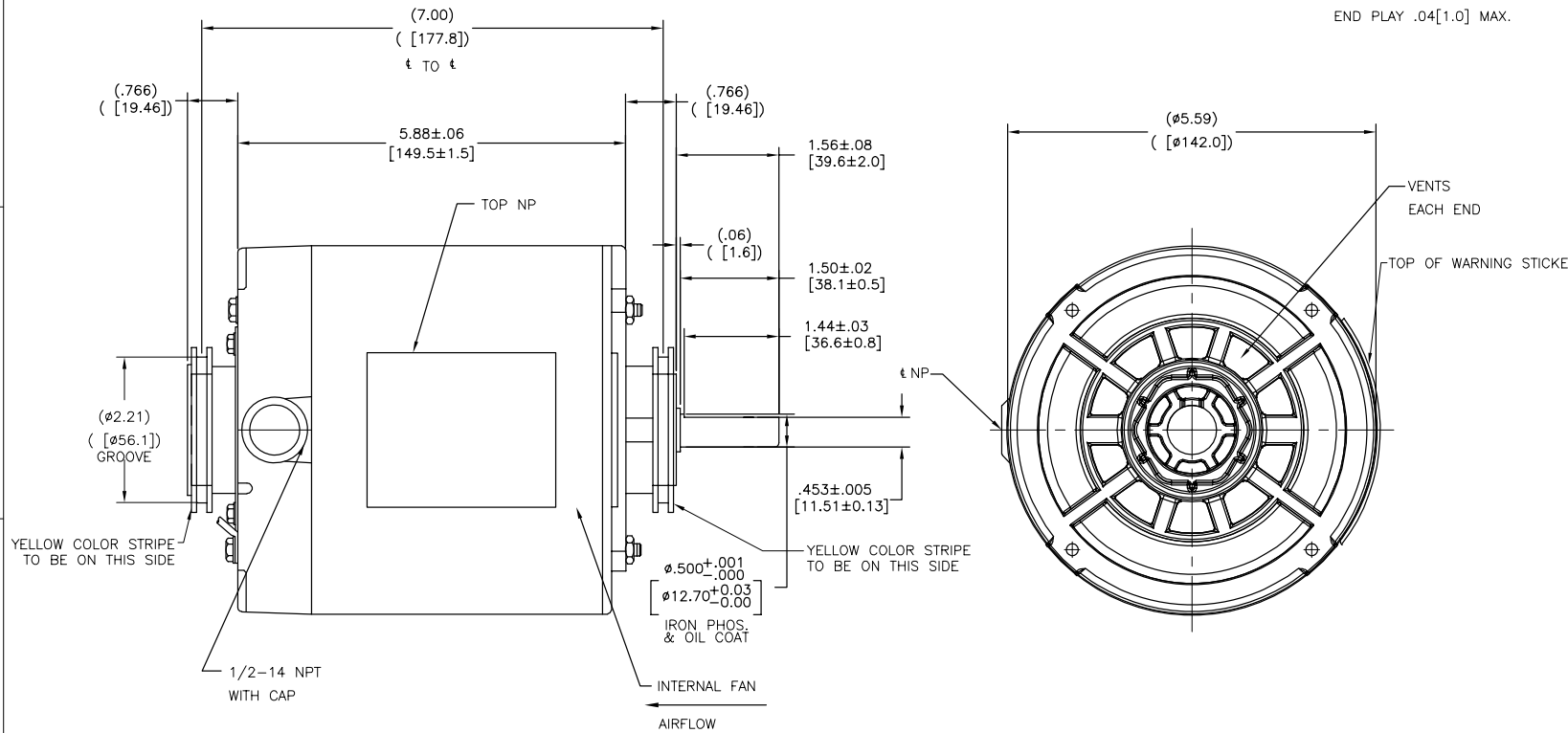
Output HP	1/8 Hp	Output KW	0.10 kW
Frequency	60 Hz	Voltage	115 V
Current	2.8 A	Speed	1725 rpm
Service Factor	1.4	Phase	1
Duty	Continuous	Insulation Class	B
Frame	48Z	Enclosure	Open Drip Proof
Thermal Protection	Automatic	Ambient Temperature	50 °C
UL	Recognized	CSA	Y
CE	N		

Technical Specifications

Electrical Type	Split Phase	Starting Method	Across The Line
Poles	4	Rotation	Counterclockwise
Mounting	Cushion Ring	Drive End Bearing	Sleeve
Opp Drive End Bearing	Sleeve	Frame Material	Rolled Steel
Shaft Type	Flat	Overall Length	8.97 in
Frame Length	4.57 in	Shaft Diameter	0.500 in
Shaft Extension	1.56 in		

This is an uncontrolled document once printed or downloaded and is subject to change without notice. Date Created:30/10/2019

REV	ECO	REV BY	DATE	APPD	DATE
C	0025356	J.M.Ramirez	04-12-2012	R.Roscon	04-12-2012

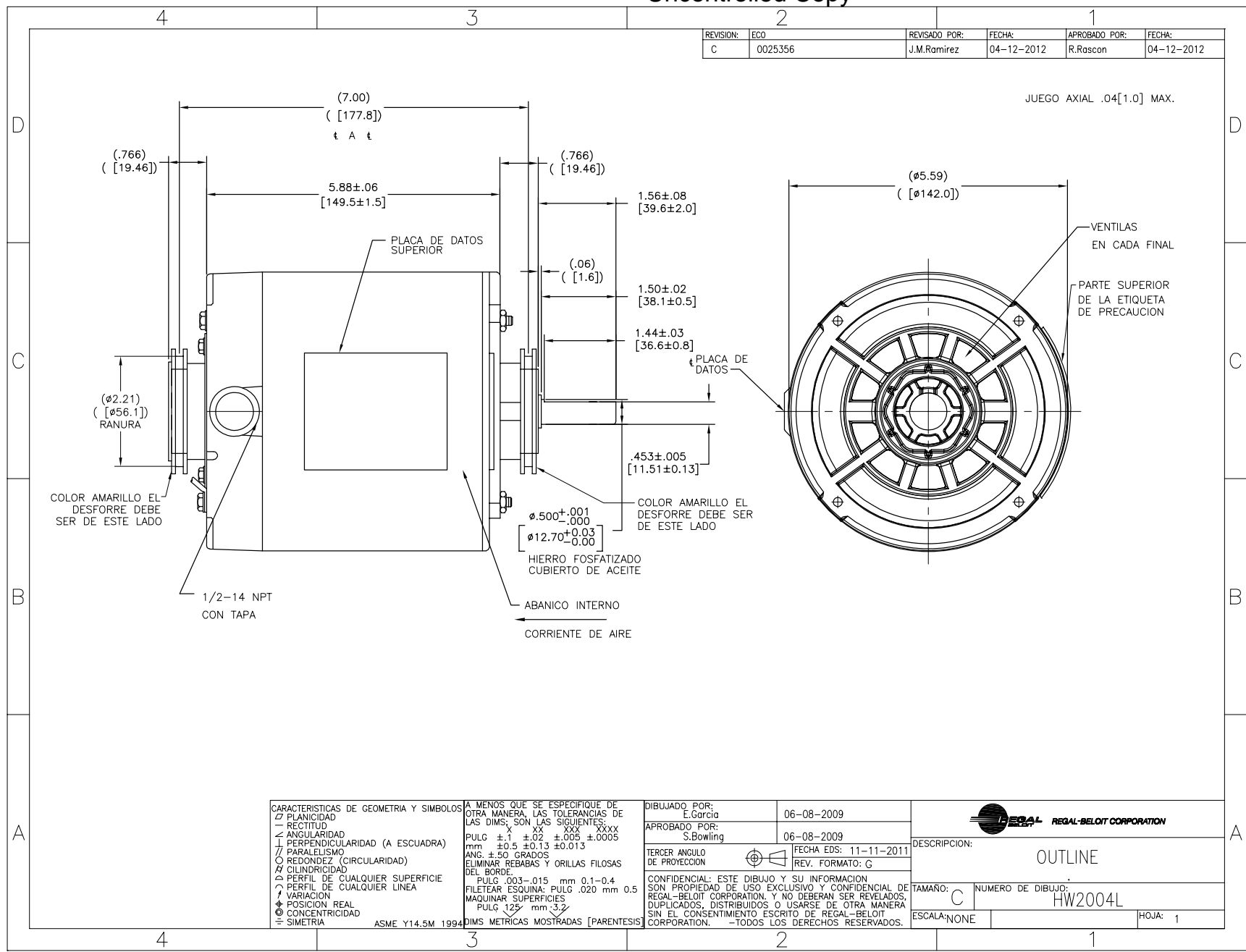


GEOMETRIC CHARACTERISTICS & SYMBOLS	
□	FLATNESS
—	STRAIGHTNESS
∠	ANGULARITY
⊥	PERPENDICULARITY (SQUARENESS)
∥	PARALLELISM
○	ROUNDNESS (CIRCULARITY)
⊘	CYLINDRICITY
⌒	PROFILE OF ANY SURFACE
⌒	PROFILE OF ANY LINE
⊕	RUNOUT
⊕	TRUE POSITION
⊙	CONCENTRICITY
⊖	SYMMETRY
ASME Y14.5M 1994	

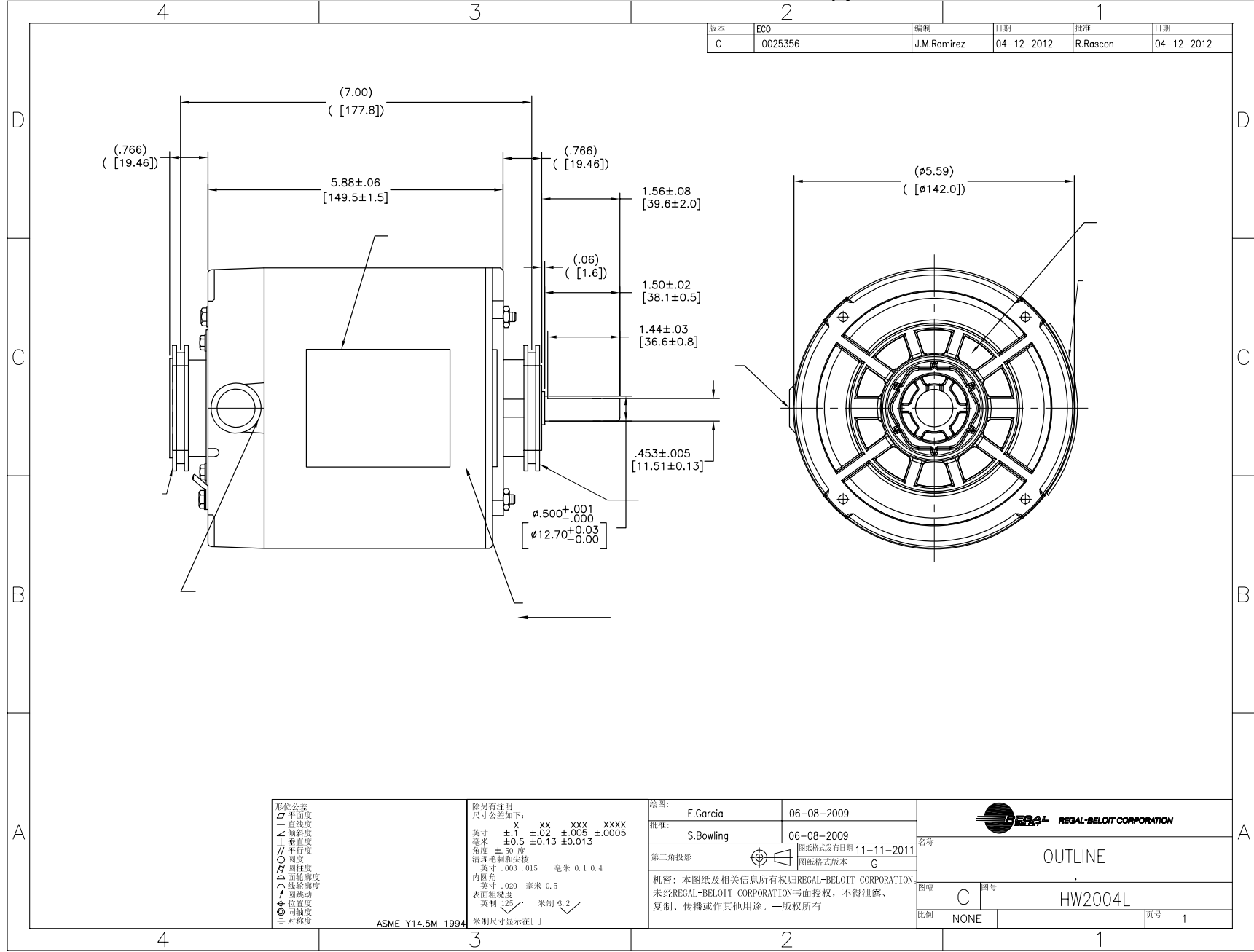
UNLESS OTHERWISE SPECIFIED DIM. TOLERANCES ARE AS FOLLOWS:
INCH X XX XXX XXXX
mm ±.1 ±.02 ±.005 ±.0005
mm ±0.5 ±0.13 ±0.013
ANG. ±.50 DEG
REMOVE BURRS & BREAK SHARP EDGES:
INCH .003-.015 mm 0.1-.04
CORNER FILLETS TO:
INCH .020 mm 0.5
MACHINE SURFACES:
INCH 125 mm 3.2
METRIC DIMS. SHOWN IN [BRACKETS]

DR BY:	E.Garcia	06-08-2009
APPD:	S.Bowling	06-08-2009
THIRD ANGLE PROJECTION	EDS DATE	11-11-2011
	FORMAT REV	C
CONFIDENTIAL: THIS DRAWING AND ITS INFORMATION ARE THE EXCLUSIVE AND CONFIDENTIAL PROPERTY OF REGAL-BELOIT CORPORATION AND ARE NOT TO BE DISCLOSED, DUPLICATED, DISTRIBUTED OR OTHERWISE USED WITHOUT THE WRITTEN CONSENT OF REGAL-BELOIT CORPORATION. -ALL RIGHTS RESERVED.		

DESCRIPTION	
OUTLINE	
SIZE	DWG NO
C	HW2004L
SCALE	SHEET
NONE	1



CARACTERISTICAS DE GEOMETRIA Y SIMBOLOS: ▽ PLANICIDAD — RECTITUD ∠ ANGULARIDAD ⊥ PERPENDICULARIDAD (A ESQUADRA) // PARALELISMO ○ REDONDEZ (CIRCULARIDAD) Ⓢ CILINDRICIDAD Ⓢ PERFIL DE CUALQUIER SUPERFICIE ~ PERFIL DE CUALQUIER LINEA † VARIACION ⊕ POSICION REAL ⊙ CONCENTRICIDAD ≡ SIMETRIA	A MENOS QUE SE ESPECIFIQUE DE OTRA MANERA, LAS TOLERANCIAS DE LAS DIMS. SON LAS SIGUIENTES: PULG ±.1 ±.02 ±.005 ±.0005 mm ±0.5 ±0.13 ±0.013 ANG. ±.50 GRADOS ELIMINAR REBABAS Y ORILLAS FILOSAS DEL BORDE. PULG .003-.015 mm 0.1-0.4 FILETEAR ESQUINA: PULG .020 mm 0.5 MAQUINAR SUPERFICIES PULG .125 mm .32	DIBUJADO POR: E.Garcia 06-08-2009	DESCRIPCION: OUTLINE
		APROBADO POR: S.Bowling 06-08-2009	
TERCER ANGULO DE PROYECCION		CONFIDENCIAL: ESTE DIBUJO Y SU INFORMACION SON PROPIEDAD DE USO EXCLUSIVO Y CONFIDENCIAL DE REGAL-BELOIT CORPORATION. Y NO DEBERAN SER REVELADOS, DUPLICADOS, DISTRIBUIDOS O USARSE DE OTRA MANERA SIN EL CONSENTIMIENTO ESCRITO DE REGAL-BELOIT CORPORATION. -TODOS LOS DERECHOS RESERVADOS.	TAMANO: C NUMERO DE DIBUJO: HW2004L
ESCALA: NONE			HOJA: 1



版本	ECO	编制	日期	批准	日期
C	0025356	J.M.Ramirez	04-12-2012	R.Rascon	04-12-2012

形位公差	除另有注明
□ 平面度	尺寸公差如下:
— 直线度	英寸 X XX XXX XXXX
∠ 倾斜度	英寸 ±.1 ±.02 ±.005 ±.0005
⊥ 垂直度	毫米 ±0.5 ±0.13 ±0.013
∥ 平行度	角度 ±.50 度
○ 圆度	清理毛刺和尖棱
⊙ 圆跳动	英寸 .003-.015 毫米 0.1-0.4
⌒ 面轮廓度	内圆角
⌒ 线轮廓度	英寸 .020 毫米 0.5
⌒ 圆跳动	表面粗糙度
⌒ 位置度	英制 125 米制 3.2
⌒ 同轴度	米制尺寸显示在 []
⌒ 对称度	

绘图:	E.Garcia	06-08-2009
批准:	S.Bowling	06-08-2009
第三角投影		图纸格式发布日期 11-11-2011
		图纸格式版本 C
机密: 本图纸及相关信息所有权归REGAL-BELOIT CORPORATION。未经REGAL-BELOIT CORPORATION书面授权, 不得泄露、复制或传播作其他用途。--版权所有		

名称	OUTLINE	
图幅	C	图号 HW2004L
比例	NONE	页号 1

名称 OUTLINE	
图幅 C	图号 HW2004L
比例 NONE	页号 1