

# PRODUCT INFORMATION PACKET



Model No: H985L  
Catalog No: H985L  
1.0 HP Circulator pump Motor, 3 phase, 1800 RPM, 208-230/460 V, 56Y Frame, ODP  
Circulator Pump Motors



Regal and Century are trademarks of Regal Beloit Corporation or one of its affiliated companies.  
©2019 Regal Beloit Corporation, All Rights Reserved. MC017097E

The Regal logo consists of the word 'REGAL' in a bold, white, sans-serif font, set against a dark grey rectangular background with a slight shadow effect.

REGAL



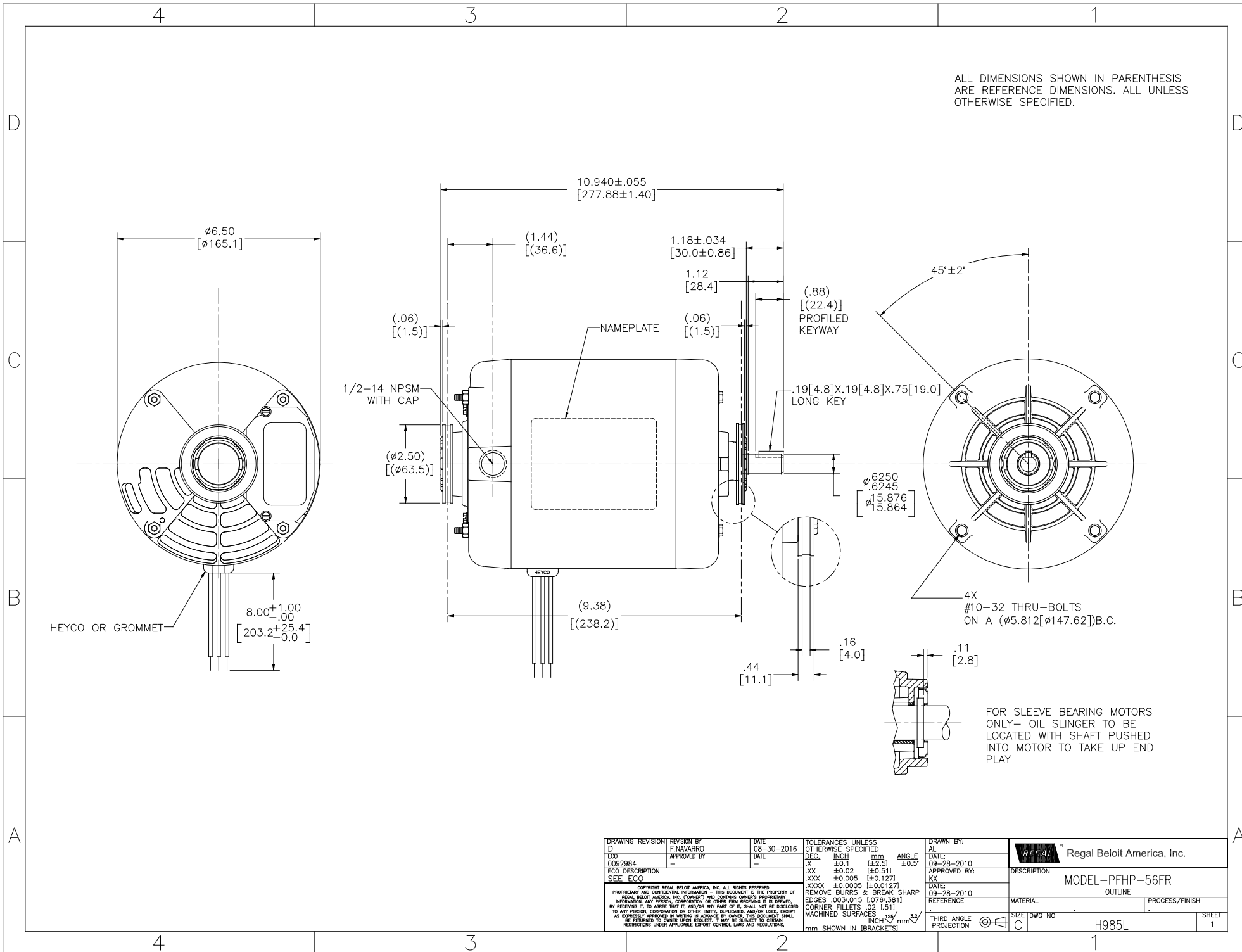
**Nameplate Specifications**

Output HP	1.0 Hp	Output KW	0.75 kW
Frequency	60 Hz	Voltage	208-230/460 V
Current	3.4-3.4/1.7 A	Speed	1725 rpm
Service Factor	1.25	Phase	3
Duty	Continuous	Insulation Class	B
Frame	YA56Y	Enclosure	Drip Proof
Thermal Protection	None	Ambient Temperature	40 °C
UL	Recognized	CSA	Y
CE	N		

**Technical Specifications**

Electrical Type	Polyphase, Induction Type, Single Or Dual Voltage	Starting Method	Across The Line
Poles	4	Rotation	Reversible Counterclockwise
Mounting	Cushion Ring	Drive End Bearing	Sleeve
Opp Drive End Bearing	Sleeve	Frame Material	Rolled Steel
Shaft Type	Keyed	Overall Length	10.94 in
Frame Length	5.69 in	Shaft Diameter	0.625 in
Shaft Extension	1.18 in		

This is an uncontrolled document once printed or downloaded and is subject to change without notice. Date Created:04/11/2019



ALL DIMENSIONS SHOWN IN PARENTHESIS ARE REFERENCE DIMENSIONS. ALL UNLESS OTHERWISE SPECIFIED.

FOR SLEEVE BEARING MOTORS ONLY - OIL SLINGER TO BE LOCATED WITH SHAFT PUSHED INTO MOTOR TO TAKE UP END PLAY

DRAWING REVISION D	REVISION BY F.NAVARRO	DATE 08-30-2016	TOLERANCES UNLESS OTHERWISE SPECIFIED	DRAWN BY: AL	Regal Beloit America, Inc.
ECO 0092984	APPROVED BY	DATE	DEC. INCH mm ANGLE X ±.01 [±2.5] ±0.5° XX ±0.02 [±0.51] XXX ±0.005 [±0.127] XXXX ±0.0005 [±0.0127]	DATE: 09-28-2010	
ECO DESCRIPTION SEE ECO	<small>COPYRIGHT REGAL BELOIT AMERICA, INC. ALL RIGHTS RESERVED. PROPRIETARY AND CONFIDENTIAL INFORMATION - THIS DOCUMENT IS THE PROPERTY OF REGAL BELOIT AMERICA, INC. ("OWNER") AND CONTAINS OWNER'S PROPRIETARY INFORMATION. ANY REPRODUCTION, COPIATION OR OTHER USE WITHOUT THE WRITTEN PERMISSION OF REGAL BELOIT AMERICA, INC. IS STRICTLY PROHIBITED. BY RECEIVING IT, TO AGREE THAT IT, AND/OR ANY PART OF IT, SHALL NOT BE DISCLOSED TO ANY PERSON, CORPORATION OR OTHER ENTITY, SUPPLIER, AND/OR USER, EXCEPT AS EXPRESSLY APPROVED IN WRITING BY OWNER. THIS DOCUMENT SHALL BE RETURNED TO OWNER UPON REQUEST. IT MAY BE SUBJECT TO CERTAIN RESTRICTIONS UNDER APPLICABLE EXPORT CONTROL LAWS AND REGULATIONS.</small>		REMOVE BURRS & BREAK SHARP EDGES .003/.015 [0.076/.381] CORNER FILLETS .02 [.51] MACHINED SURFACES INCH mm mm SHOWN IN BRACKETS	APPROVED BY: KX	DESCRIPTION MODEL-PFHP-56FR OUTLINE
				DATE: 09-28-2010	MATERIAL
				REFERENCE	PROCESS/FINISH
				THIRD ANGLE PROJECTION	SIZE DWG NO H985L
					SHEET 1