

# PRODUCT INFORMATION PACKET



Model No: H977V1

Catalog No: H977V1

0.5 HP Condenser Fans HVAC/R Motor, 3 phase, 1200 RPM, 575 V, 56Z Frame, TEAO  
Condenser Fans Motors



Regal and Century are trademarks of Regal Beloit Corporation or one of its affiliated companies.

©2019 Regal Beloit Corporation, All Rights Reserved. MC017097E

REGAL



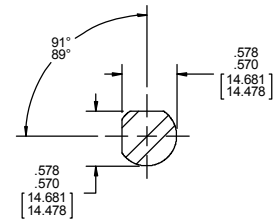
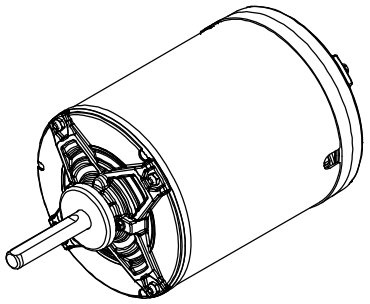
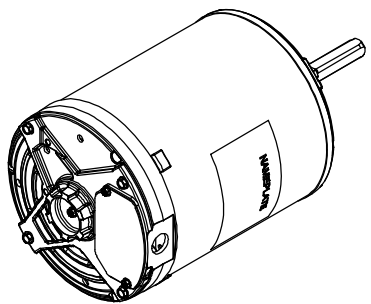
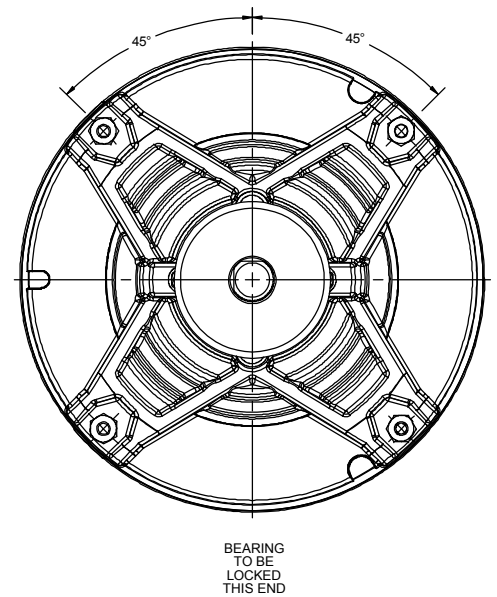
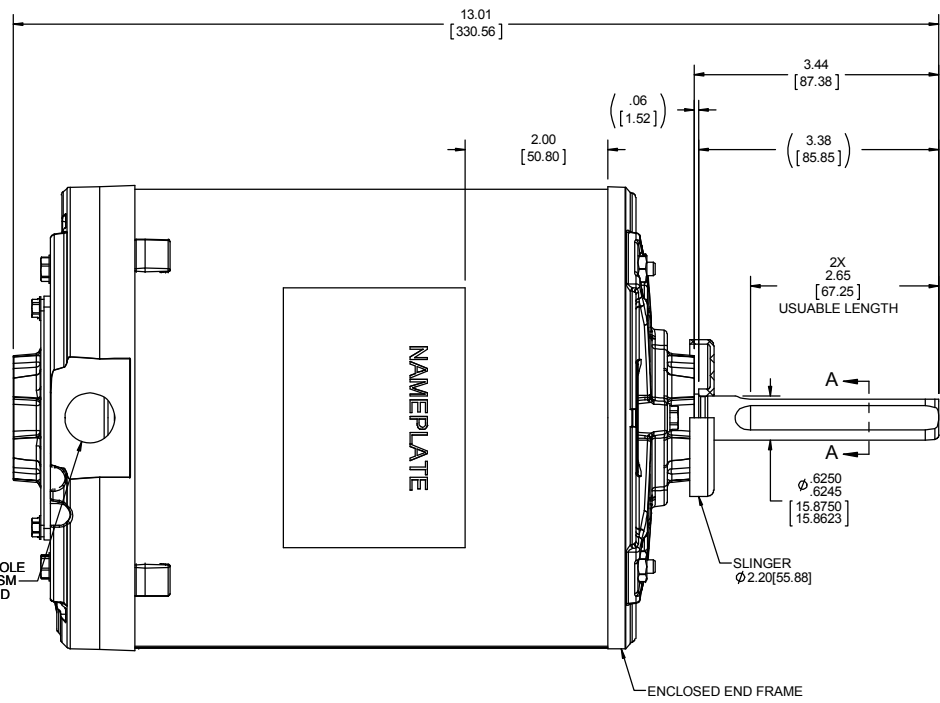
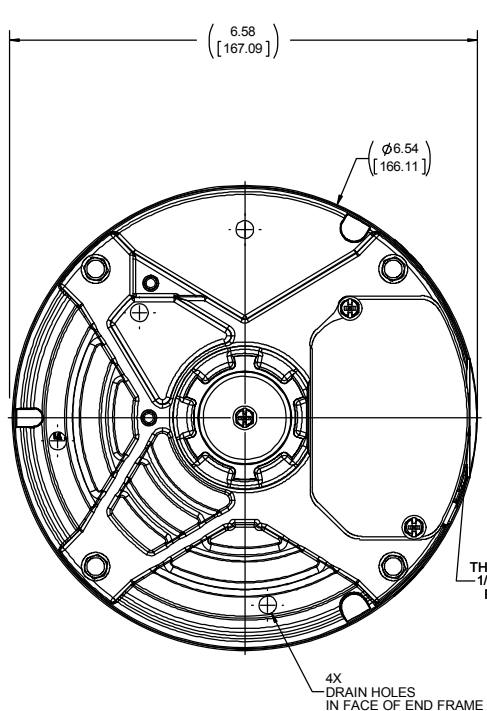
**Nameplate Specifications**

Output HP	<b>0.5 Hp</b>	Output KW	<b>0.37 kW</b>
Frequency	<b>60 Hz</b>	Voltage	<b>575 V</b>
Current	<b>0.8 A</b>	Speed	<b>1140 rpm</b>
Service Factor	<b>1</b>	Phase	<b>3</b>
Duty	<b>Continuous</b>	Insulation Class	<b>B</b>
Frame	<b>56Z</b>	Enclosure	<b>Totally Enclosed Air Over</b>
Thermal Protection	<b>Thermally Protected</b>	Ambient Temperature	<b>60 °C</b>
UL	<b>Recognized</b>	CSA	<b>Y</b>
CE	<b>N</b>		

**Technical Specifications**

Electrical Type	<b>Three Phase</b>	Starting Method	<b>Across The Line</b>
Poles	<b>6</b>	Rotation	<b>Reversible</b>
Mounting	<b>Round</b>	Drive End Bearing	<b>Ball</b>
Opp Drive End Bearing	<b>Ball</b>	Frame Material	<b>Rolled Steel</b>
Shaft Type	<b>Single Special Extension</b>	Overall Length	<b>13.01 in</b>
Frame Length	<b>6.75 in</b>	Shaft Diameter	<b>0.625 in</b>
Shaft Extension	<b>3.44 in</b>		

This is an uncontrolled document once printed or downloaded and is subject to change without notice. Date Created:30/10/2019



SECTION A-A

DRAWING REVISION B		REVISION BY K.HADHAR	DATE 09/23/2019	TOLERANCES UNLESS OTHERWISE SPECIFIED:		DRAWN BY J.RUIZ	Regal Beloit America, Inc.
ECO-0173654		APPROVED BY P.VR	DATE 09/23/2019	DEC.	INCH mm	ANGLE	
ECO DESCRIPTION UPDATED THRU BOLT PER ECO-0173654				.X	±0.1 [±2.5]	±0.5°	DATE 06-09-2017
COPYRIGHT REGAL BELOIT AMERICA, INC. ALL RIGHTS RESERVED.				.XX	±0.03 [±0.76]		APPROVED BY M.RAMIREZ
PROPRIETARY AND CONFIDENTIAL INFORMATION. THIS DOCUMENT IS THE PROPERTY OF REGAL BELOIT AMERICA, INC. OWNERS AND CONTAINS OWNERS PROPRIETARY INFORMATION. ANY PERSON, CORPORATION OR OTHER FIRM RECEIVING IT IS DEEMED BY RECEIVING IT, TO AGREE THAT IT, AND/OR ANY PART OF IT, SHALL NOT BE DISCLOSED TO ANY PERSON, CORPORATION OR OTHER ENTITY, DUPLICATED, AND/OR USED, EXCEPT AS EXPRESSLY APPROVED IN WRITING IN ADVANCE BY OWNER. THIS DOCUMENT SHALL BE RETURNED TO OWNER UPON REQUEST. IT MAY BE SUBJECT TO CERTAIN RESTRICTIONS UNDER APPLICABLE EXPORT CONTROL LAWS AND REGULATIONS.				.XXX	±0.005 [±0.127]		DATE 06-09-2017
				.XXXX	±0.0005 [±0.0127]		REFERENCE H977
				REMOVE BURRS & BREAK SHARP EDGES: .0031 [0.078] X 45° CORNER FILLETS: R.02 [.51]			MATERIAL
				MACHINED SURFACES: 125 / 3.2 INCH / mm SHOWN IN (BRACKETS)			DESCRIPTION OUTLINE 56FR,TEAO,3-PHASE
				THIRD ANGLE PROJECTION			PROCESS/FINISH
				SIZE		DRAWING NUMBER OL56100088-001	SHEET 1 OF 1