

PRODUCT INFORMATION PACKET



Model No: H951V1ES
Catalog No: H951V1ES
1.5 HP General Purpose Motor, 3 phase, 1800 RPM, 575 V, 56HZ Frame, ODP
Three Phase ODP Motors



Regal and Century are trademarks of Regal Beloit Corporation or one of its affiliated companies.
©2019 Regal Beloit Corporation, All Rights Reserved. MC017097E

The REGAL logo is a grey, trapezoidal shape with the word 'REGAL' in white, bold, uppercase letters. It is positioned on a blue background with a halftone dot pattern that tapers from left to right.

REGAL



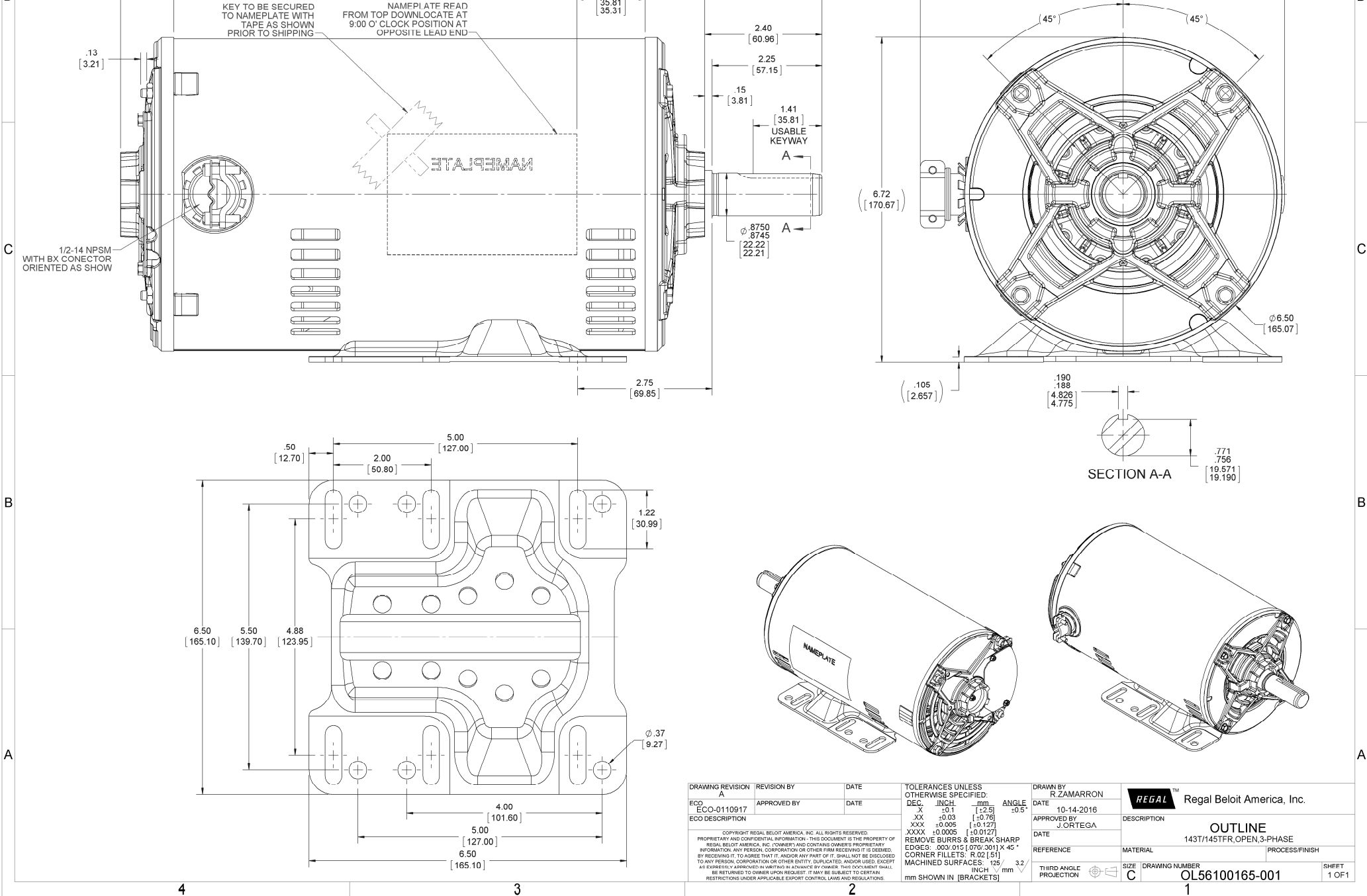
Nameplate Specifications

Output HP	1.5 Hp	Output KW	1.1 kW
Frequency	60 Hz	Voltage	575 V
Current	1.8 A	Speed	1725 rpm
Service Factor	1.2	Phase	3
Duty	Continuous	Insulation Class	B
Frame	56HZ	Enclosure	Drip Proof
Thermal Protection	Thermally Protected	Ambient Temperature	40 °C
UL	Recognized	CSA	Y
CE	Y		

Technical Specifications

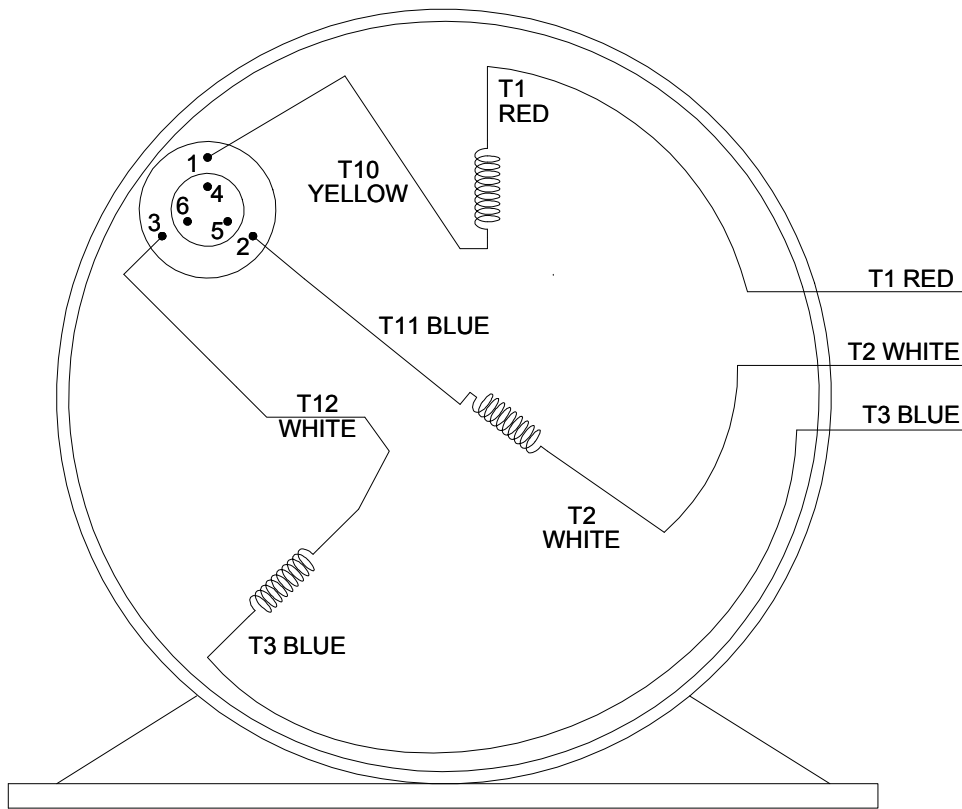
Electrical Type	Three Phase	Starting Method	Across The Line
Poles	4	Rotation	Reversible
Mounting	Rigid Base	Drive End Bearing	Ball
Opp Drive End Bearing	Ball	Frame Material	Rolled Steel
Shaft Type	Single Special Extension	Overall Length	14.36 in
Frame Length	9.65 in	Shaft Diameter	0.875 in
Shaft Extension	2.25 in		

This is an uncontrolled document once printed or downloaded and is subject to change without notice. Date Created:30/10/2019



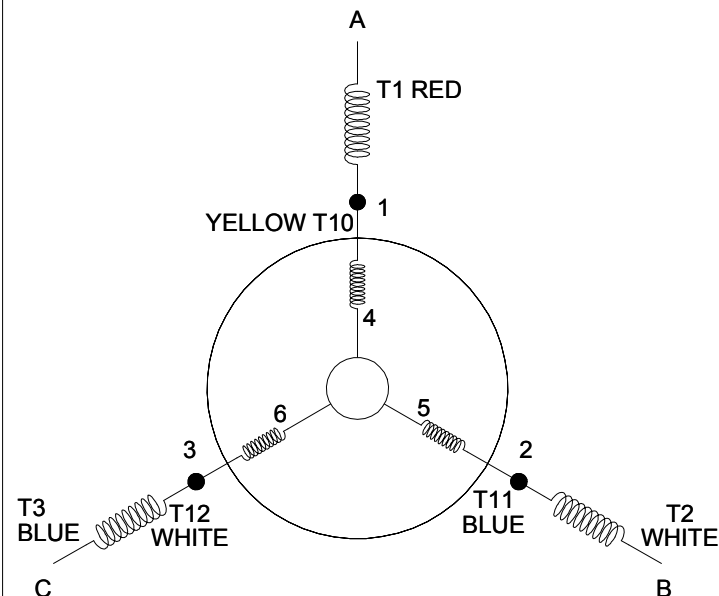
DRAWING REVISION A		REVISION BY	DATE	TOLERANCES UNLESS OTHERWISE SPECIFIED:		DRAWN BY	REGAL™ Regal Beloit America, Inc.	
ECCO-0110917	APPROVED BY	DATE	DEC.	INCH	MM	R. ZAMARRON	DESCRIPTION	
ECCO DESCRIPTION			X	+0.1	[±2.5]	DATE	143T/145TFR, OPEN, 3-PHASE	
			XX	+0.03	[±0.76]	APPROVED BY	MATERIAL	
			XXX	+0.005	[±0.127]	J. ORTEGA	PROCESS/FINISH	
			XXXX	+0.0005	[±0.0127]	DATE	DRAWING NUMBER	
			REMOVE BURRS & BREAK SHARP EDGES - .003 Ø15 [070-301] X 45° CORNER FILLETS: R.02 [51] MACHINED SURFACES: 125 3/2			REFERENCE	OL56100165-001	
			mm SHOWN IN [BRACKETS]			THIRD ANGLE PROJECTION	SHEET 1 OF 1	

SINGLE VOLTAGE - THREE PHASE WITH OVERLOAD PROTECTOR



VIEW OF TERMINAL END

CCW ROTATION



NOTE:

1. TO REVERSE ROTATION, INTERCHANGE ANY TWO LINE CONNECTIONS TO L1, L2, OR L3.
2. CONNECTION DIAGRAM NAMEPLATE: DD10040-001-CCW; DD10040-002-CW.

DRAWING REVISION E	REVISION BY SHESHI	DATE 03/11/2019	TOLERANCES UNLESS OTHERWISE SPECIFIED: DEC. INCH mm ANGLE ±0.5°
ECO ECO-0162998	APPROVED BY BHARGAVI	DATE 03/11/2019	.X ±0.1 [+2.5] .XX ±0.01 [+0.25] .XXX ±0.005 [+0.127] .XXXX ±0.0005 [+0.0127]
ECO DESCRIPTION REMOVED T10, T11 & T12 LEAD TERMINATION MARKS			REMOVE BURRS & BREAK SHARP EDGES: .003/.015 [.076/.381] CORNER FILLETS: .02 [.51] MACHINED SURFACES: 125/3.2 INCH mm
<small>COPYRIGHT REGAL BELOIT AMERICA, INC. ALL RIGHTS RESERVED. PROPRIETARY AND CONFIDENTIAL INFORMATION - THIS DOCUMENT IS THE PROPERTY OF REGAL BELOIT AMERICA, INC. (OWNER) AND CONTAINS OWNERS PROPRIETARY INFORMATION. ANY PERSON, CORPORATION OR OTHER FIRM RECEIVING IT IS DEEMED, BY RECEIVING IT, TO AGREE THAT IT, AND/OR ANY PART OF IT, SHALL NOT BE DISCLOSED TO ANY PERSON, CORPORATION OR OTHER ENTITY, DUPLICATED, AND/OR USED, EXCEPT AS EXPRESSLY APPROVED IN WRITING IN ADVANCE BY OWNER. THIS DOCUMENT SHALL BE RETURNED TO OWNER UPON REQUEST. IT MAY BE SUBJECT TO CERTAIN RESTRICTIONS UNDER APPLICABLE EXPORT CONTROL LAWS AND REGULATIONS.</small>			mm SHOWN IN [BRACKETS]

DRAWN BY G. RODRIGUEZ	Regal Beloit America, Inc.	
DATE 07-30-2015	DESCRIPTION CONN DIAGRAM-EXTERNAL	
APPROVED BY R. VALENZUELA	MATERIAL	PROCESS/FINISH
DATE 07-30-2015	REFERENCE SKT52A105383CA	SIZE B
THIRD ANGLE PROJECTION	DRAWING NUMBER CDTS106	SHEET 1 OF 1