

# PRODUCT INFORMATION PACKET



Model No: H921LES  
Catalog No: H921LES  
1 HP General Purpose Motor, 3 phase, 1800 RPM, 230/460 V, 56C Frame, TEFC  
Three Phase TEFC Motors



Regal and Century are trademarks of Regal Beloit Corporation or one of its affiliated companies.

©2019 Regal Beloit Corporation, All Rights Reserved. MC017097E

REGAL



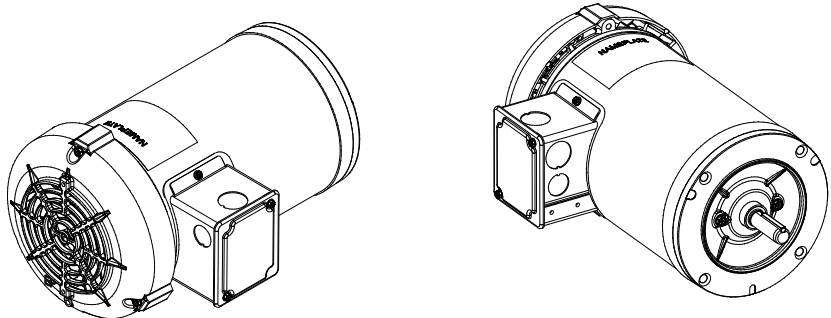
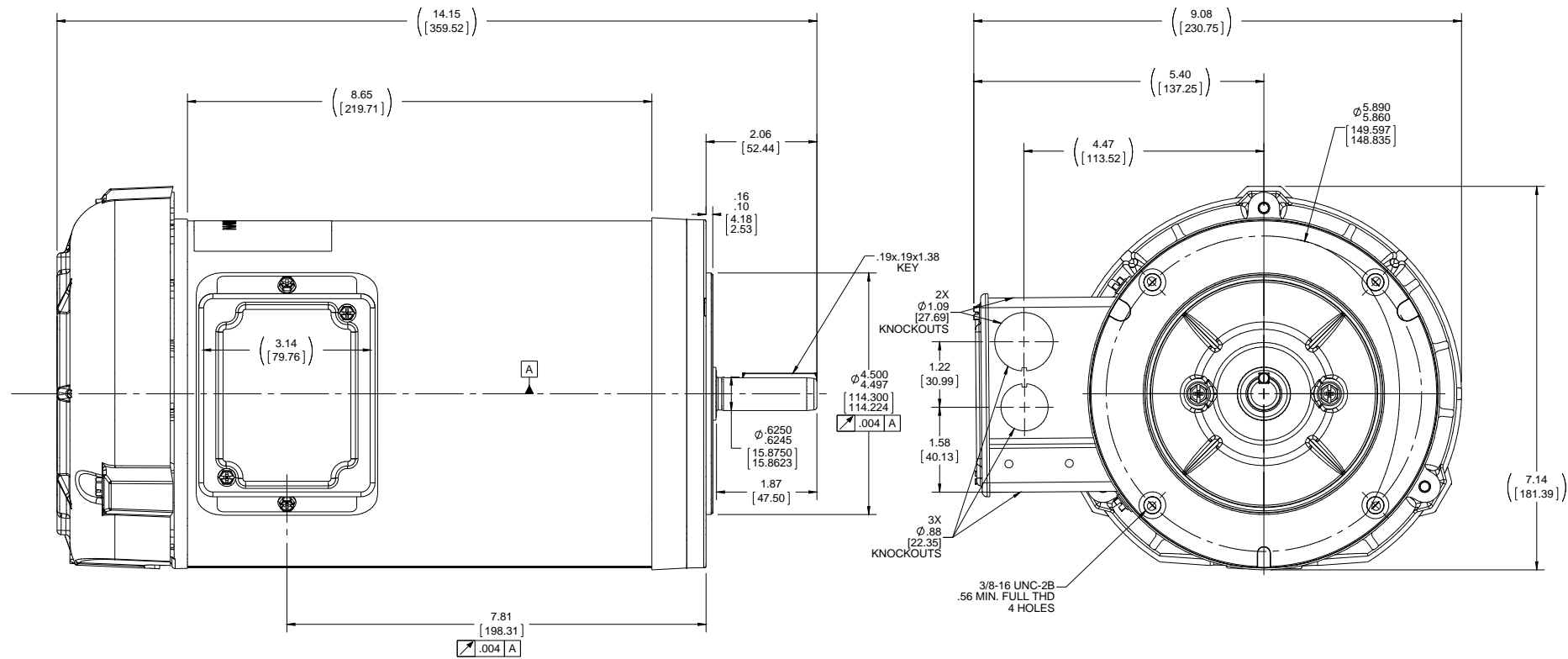
**Nameplate Specifications**

Output HP	<b>1 Hp</b>	Output KW	<b>0.75 kW</b>
Frequency	<b>60 Hz</b>	Voltage	<b>230/460 V</b>
Current	<b>3.3/1.65 A</b>	Speed	<b>1725 rpm</b>
Service Factor	<b>1.15</b>	Phase	<b>3</b>
Duty	<b>Continuous</b>	Insulation Class	<b>B</b>
Frame	<b>56C</b>	Enclosure	<b>Totally Enclosed Fan Cooled</b>
Thermal Protection	<b>None</b>	Ambient Temperature	<b>40 °C</b>
UL	<b>Recognized</b>	CSA	<b>Y</b>
CE	<b>Y</b>		

**Technical Specifications**


Electrical Type	<b>Three Phase</b>	Starting Method	<b>Across The Line</b>
Poles	<b>4</b>	Rotation	<b>Reversible</b>
Mounting	<b>Round</b>	Drive End Bearing	<b>Ball</b>
Opp Drive End Bearing	<b>Ball</b>	Frame Material	<b>Rolled Steel</b>
Shaft Type	<b>NEMA 56</b>	Overall Length	<b>14.15 in</b>
Frame Length	<b>7.63 in</b>	Shaft Diameter	<b>0.625 in</b>
Shaft Extension	<b>2.06 in</b>		

This is an uncontrolled document once printed or downloaded and is subject to change without notice. Date Created:30/10/2019



DRAWING REVISION A	REVISION BY J.M.RAMIREZ	DATE 03-30-2016
ECO ECO-0099348	APPROVED BY J.M.RAMIREZ	DATE 03-30-2016
ECO DESCRIPTION NEW OUTLINE		

TOLERANCES UNLESS OTHERWISE SPECIFIED:			
DEC.	INCH	mm	ANGLE
.X	±0.1	[±2.5]	±0.5°
.XX	±0.02	[±0.51]	
.XXX	±0.005	[±0.127]	
.XXXX	±0.0005	[±0.0127]	
REMOVE BURRS & BREAK SHARP EDGES: .0031 [0.0762] X 45° CORNER FILLETS: R.02 [51] MACHINED SURFACES: 1/25 INCH V 3/2 mm SHOWN IN [BRACKETS]			

DRAWN BY J.M.RAMIREZ	 Regal Beloit America, Inc.
DATE 03-30-2016	
APPROVED BY S.L.SALARE	DESCRIPTION <b>OUTLINE</b>
DATE 03-29-2016	56H FR, TEFC, C-FACE
REFERENCE	MATERIAL
THIRD ANGLE PROJECTION	SIZE C
DRAWING NUMBER OL56100046-002	PROCESS/FINISH
SHEET 1 OF 1	