

PRODUCT INFORMATION PACKET



Model No: H886LES
Catalog No: H886LES
2 HP General Purpose Motor, 3 phase, 1800 RPM, 230/460 V, 56HZ Frame, ODP
Three Phase ODP Motors



Regal and Century are trademarks of Regal Beloit Corporation or one of its affiliated companies.
©2019 Regal Beloit Corporation, All Rights Reserved. MC017097E

The REGAL logo is a grey, trapezoidal shape with the word 'REGAL' in white, bold, sans-serif capital letters.

REGAL



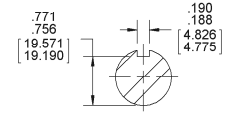
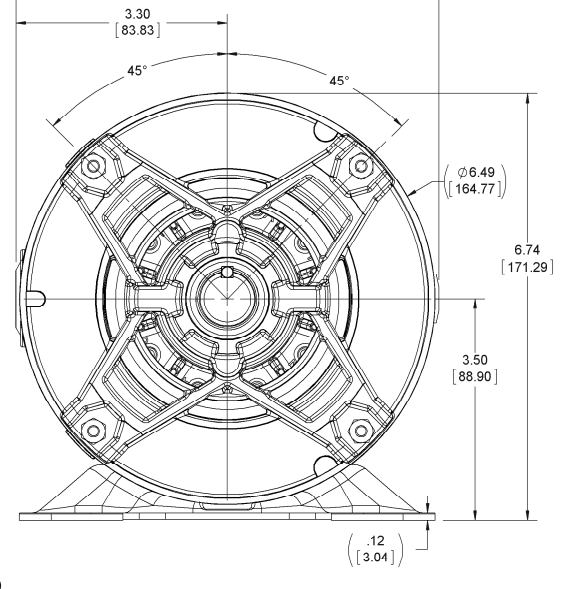
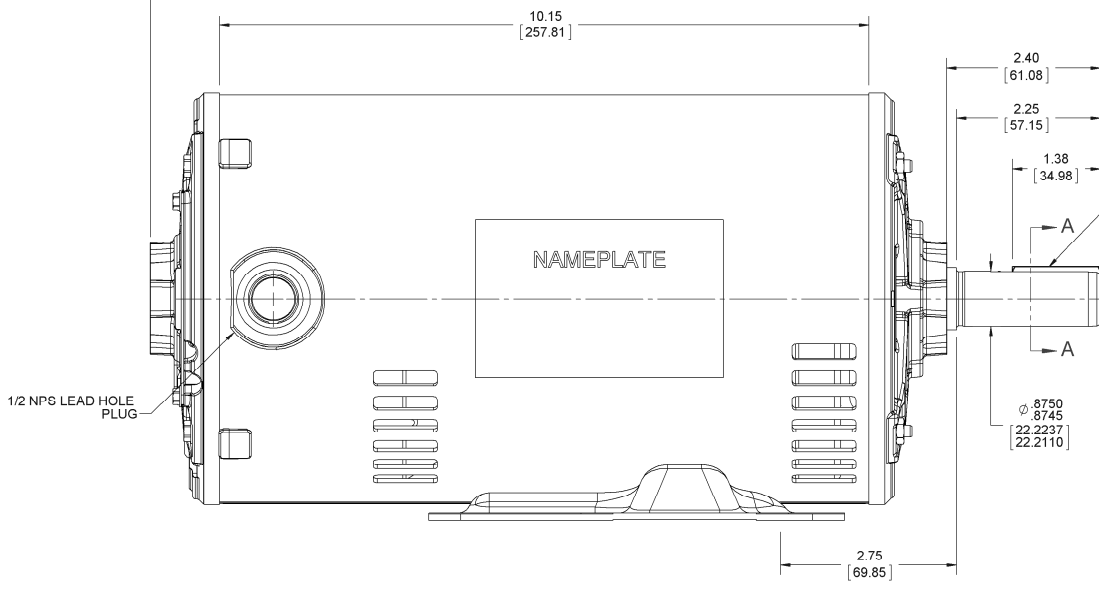
Nameplate Specifications

Output HP	2 Hp	Output KW	1.5 kW
Frequency	60 Hz	Voltage	230/460 V
Current	6/3 A	Speed	1725 rpm
Service Factor	1.15	Phase	3
Duty	Continuous	Insulation Class	B
Frame	56HZ	Enclosure	Drip Proof
Thermal Protection	Thermally Protected	Ambient Temperature	40 °C
UL	Recognized	CSA	Y
CE	Y		

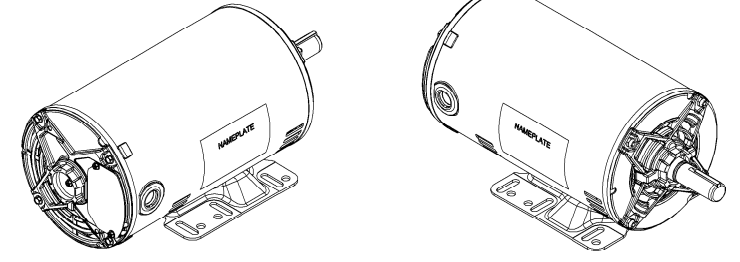
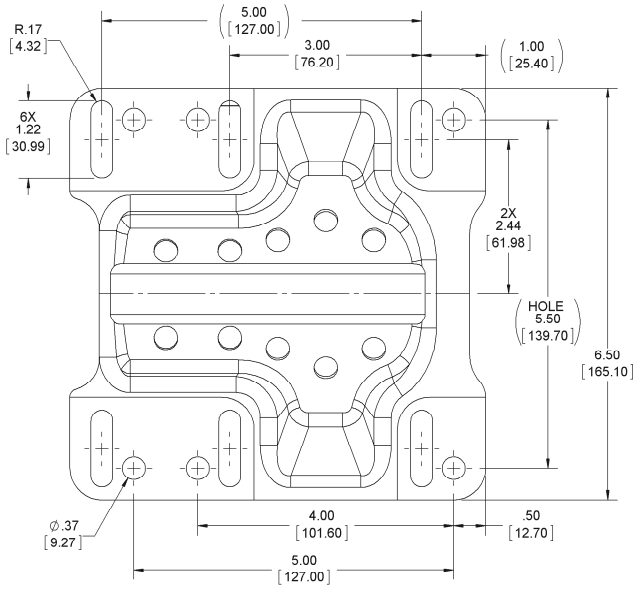
Technical Specifications

Electrical Type	Three Phase	Starting Method	Across The Line
Poles	4	Rotation	Reversible
Mounting	Rigid Base	Drive End Bearing	Ball
Opp Drive End Bearing	Ball	Frame Material	Rolled Steel
Shaft Type	Single Special Extension	Overall Length	14.85 in
Frame Length	10.15 in	Shaft Diameter	0.875 in
Shaft Extension	2.25 in		

This is an uncontrolled document once printed or downloaded and is subject to change without notice. Date Created:30/10/2019



SECTION A-A



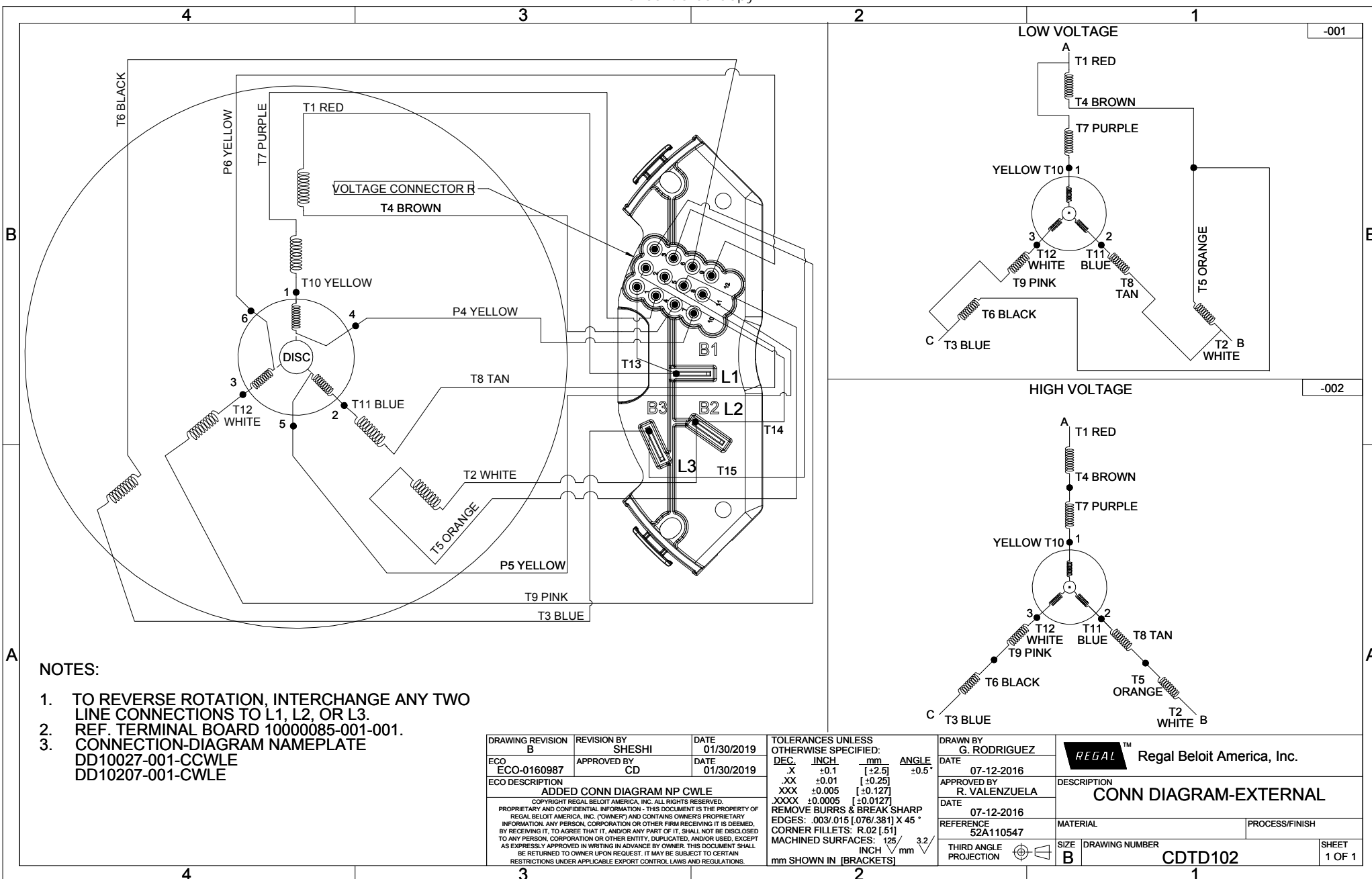
DRAWING REVISION A		REVISION BY	DATE	TOLERANCES UNLESS OTHERWISE SPECIFIED:		DRAWN BY M. AVILA	Regal Beloit America, Inc.
ECCO-0110411	APPROVED BY	DATE	DEC.	INCH	mm	DATE 10-06-2016	
ECCO DESCRIPTION NEW MODEL RELEASE		COPYRIGHT REGAL BELOIT AMERICA, INC. ALL RIGHTS RESERVED. PROPRIETARY AND CONFIDENTIAL INFORMATION - THIS DOCUMENT IS THE PROPERTY OF REGAL BELOIT AMERICA, INC. OWNERS AND CONTAINS THE OWNERS PROPRIETARY INFORMATION. ANY PERSON, CORPORATION OR OTHER FIRM RECEIVING IT IS DEEMED, BY RECEIVING IT, TO AGREE THAT IT, AND/OR ANY PART OF IT, SHALL NOT BE DISCLOSED TO ANY PERSON, CORPORATION OR OTHER ENTITY, DUPLICATED, AND/OR USED, EXCEPT AS EXPRESSLY APPROVED IN WRITING IN ADVANCE BY OWNER. THIS DOCUMENT SHALL BE RETURNED TO OWNER UPON REQUEST. IT MAY BE SUBJECT TO CERTAIN RESTRICTIONS UNDER APPLICABLE EXPORT CONTROL LAWS AND REGULATIONS.		.XX ±0.02 [±0.51] .XXX ±0.005 [±0.127] .XXXX ±0.0005 [±0.0127]	ANGLE ±0.5°	APPROVED BY	DESCRIPTION OUTLINE
				EDGE: .003 Ø15 [Ø10.301] X 45° CORNER FILLETS: R.02 [51]	MACHINED SURFACES: 125 3/2 INCH / mm	DATE	MATERIAL 56-140FR, DP, RIGID SPL
				mm SHOWN IN [BRACKETS]		THIRD ANGLE PROJECTION	PROCESS/FINISH
						SIZE C	DRAWING NUMBER OL56100154-001
							SHEET 1 OF 1

4

3

2

1



NOTES:

1. TO REVERSE ROTATION, INTERCHANGE ANY TWO LINE CONNECTIONS TO L1, L2, OR L3.
2. REF. TERMINAL BOARD 10000085-001-001.
3. CONNECTION-DIAGRAM NAMEPLATE DD10027-001-CWLE DD10207-001-CWLE

DRAWING REVISION B	REVISION BY SHESHI	DATE 01/30/2019	TOLERANCES UNLESS OTHERWISE SPECIFIED: DEC. INCH mm ANGLE ±0.5°
ECO ECO-0160987	APPROVED BY CD	DATE 01/30/2019	.X -0.1 [+2.5] .XX ±0.01 [+0.25] .XXX ±0.005 [+0.127] .XXXX ±0.0005 [+0.0127]
ECO DESCRIPTION ADDED CONN DIAGRAM NP CWLE			REMOVE BURRS & BREAK SHARP EDGES: .003/.015 [.076/.381] X 45° CORNER FILLETS: R.02 [.51]
<small>COPYRIGHT REGAL BELOIT AMERICA, INC. ALL RIGHTS RESERVED. PROPRIETARY AND CONFIDENTIAL INFORMATION - THIS DOCUMENT IS THE PROPERTY OF REGAL BELOIT AMERICA, INC. (OWNER) AND CONTAINS OWNERS PROPRIETARY INFORMATION. ANY PERSON, CORPORATION OR OTHER FIRM RECEIVING IT IS DEEMED, BY RECEIVING IT, TO AGREE THAT IT, AND/OR ANY PART OF IT, SHALL NOT BE DISCLOSED TO ANY PERSON, CORPORATION OR OTHER ENTITY, DUPLICATED, AND/OR USED, EXCEPT AS EXPRESSLY APPROVED IN WRITING IN ADVANCE BY OWNER. THIS DOCUMENT SHALL BE RETURNED TO OWNER UPON REQUEST. IT MAY BE SUBJECT TO CERTAIN RESTRICTIONS UNDER APPLICABLE EXPORT CONTROL LAWS AND REGULATIONS.</small>			MACHINED SURFACES: 125/3.2 INCH mm

DRAWN BY G. RODRIGUEZ	DATE 07-12-2016
APPROVED BY R. VALENZUELA	DATE 07-12-2016
REFERENCE 52A110547	THIRD ANGLE PROJECTION

Regal Beloit America, Inc.	
DESCRIPTION CONN DIAGRAM-EXTERNAL	
MATERIAL	PROCESS/FINISH
SIZE B	DRAWING NUMBER CDTD102
SHEET 1 OF 1	