

PRODUCT INFORMATION PACKET



Model No: H884LES

Catalog No: H884LES

1 1/2 HP General Purpose Motor, 3 phase, 1800 RPM, 208-230/460 V, 56H Frame, ODP
Three Phase ODP Motors



Regal and Century are trademarks of Regal Beloit Corporation or one of its affiliated companies.

©2019 Regal Beloit Corporation, All Rights Reserved. MC017097E

The REGAL logo is a grey rectangular box with the word 'REGAL' in white, bold, sans-serif capital letters. It is positioned on a blue, textured vertical bar that runs down the right side of the page.

REGAL



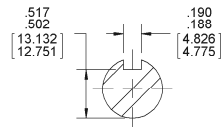
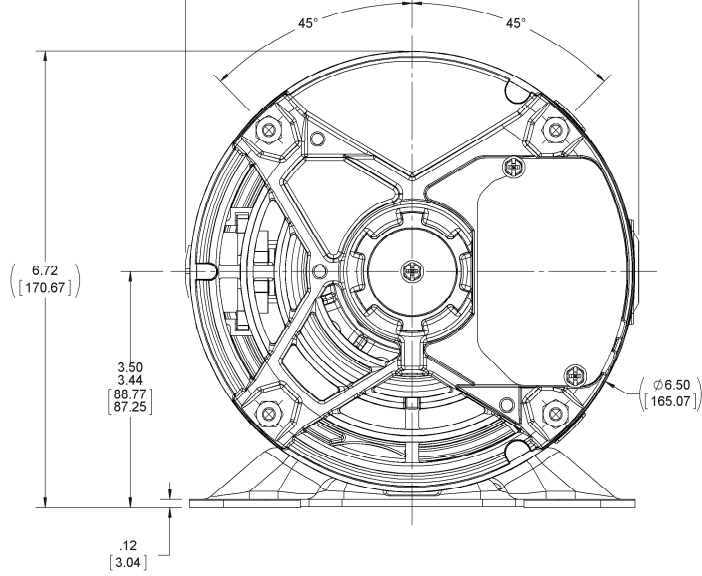
Nameplate Specifications

Output HP	1 1/2 Hp	Output KW	1.1 kW
Frequency	60 Hz	Voltage	208-230/460 V
Current	4.4-4.4/2.2 A	Speed	1725 rpm
Service Factor	1.15	Phase	3
Duty	Continuous	Insulation Class	B
Frame	56H	Enclosure	Drip Proof
Thermal Protection	Thermally Protected	Ambient Temperature	40 °C
UL	Recognized	CSA	Y
CE	Y		

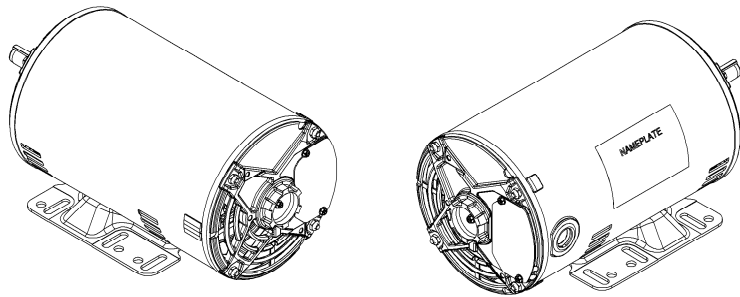
Technical Specifications

Electrical Type	Three Phase	Starting Method	Across The Line
Poles	4	Rotation	Reversible
Mounting	Rigid Base	Drive End Bearing	Ball
Opp Drive End Bearing	Ball	Frame Material	Rolled Steel
Shaft Type	NEMA 56	Overall Length	13.99 in
Frame Length	9.74 in	Shaft Diameter	0.625 in
Shaft Extension	1.88 in		

This is an uncontrolled document once printed or downloaded and is subject to change without notice. Date Created:30/10/2019

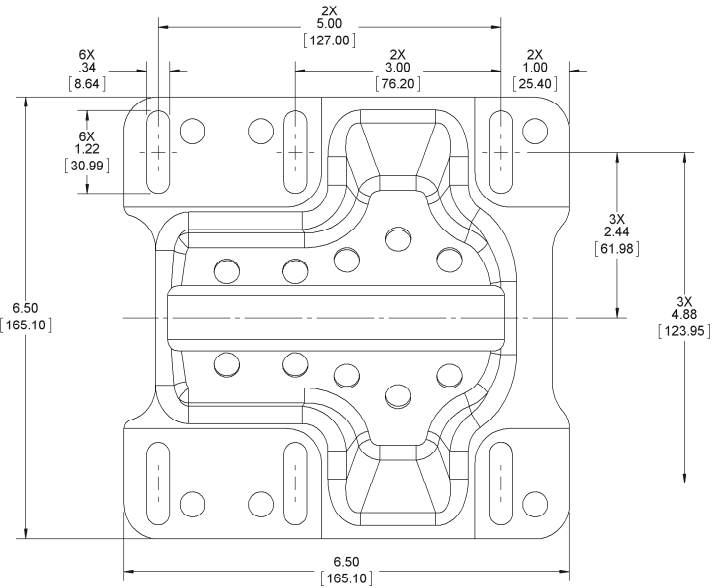
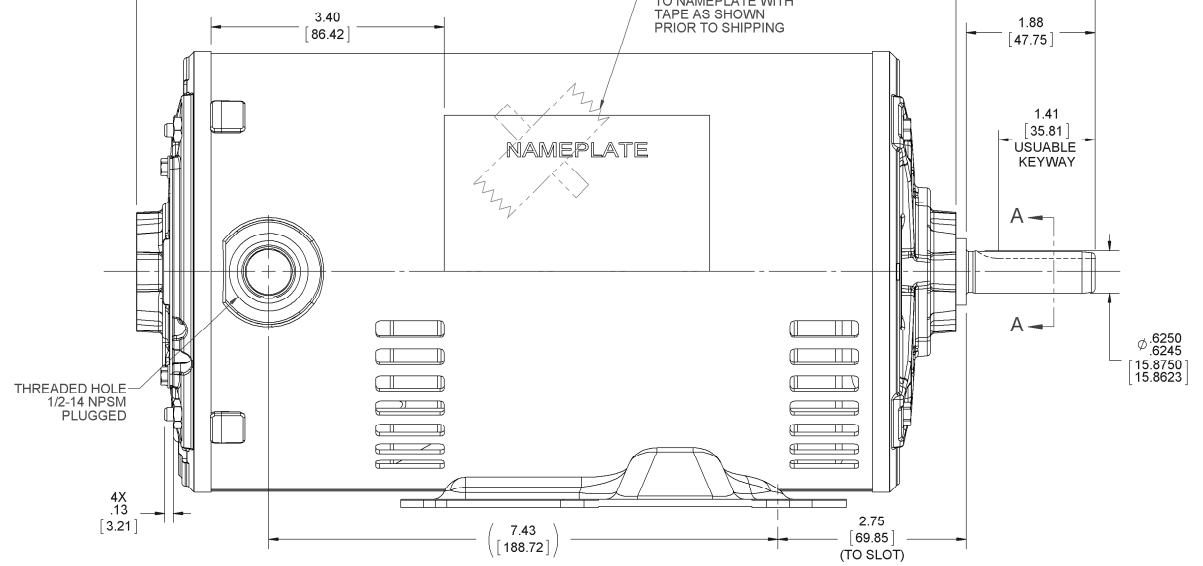


SECTION A-A



4

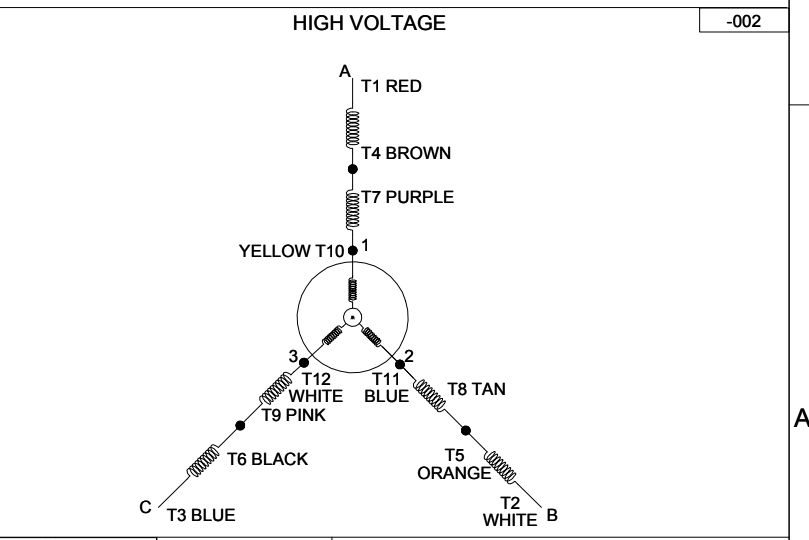
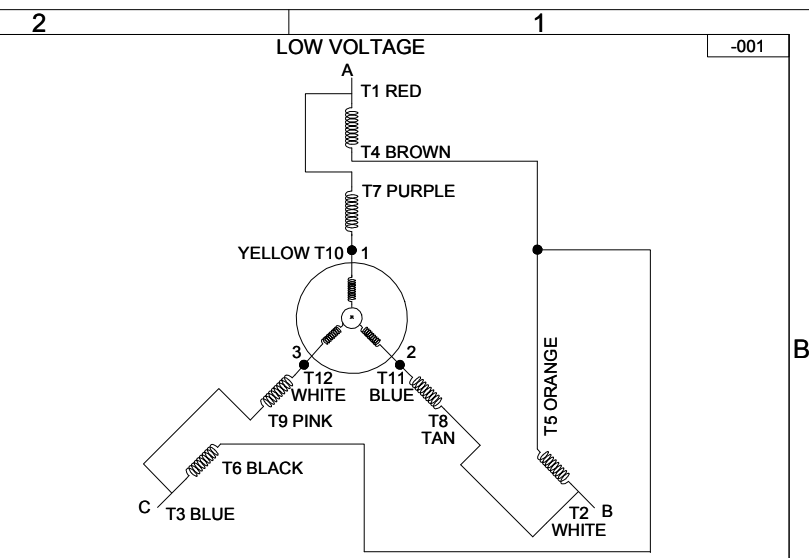
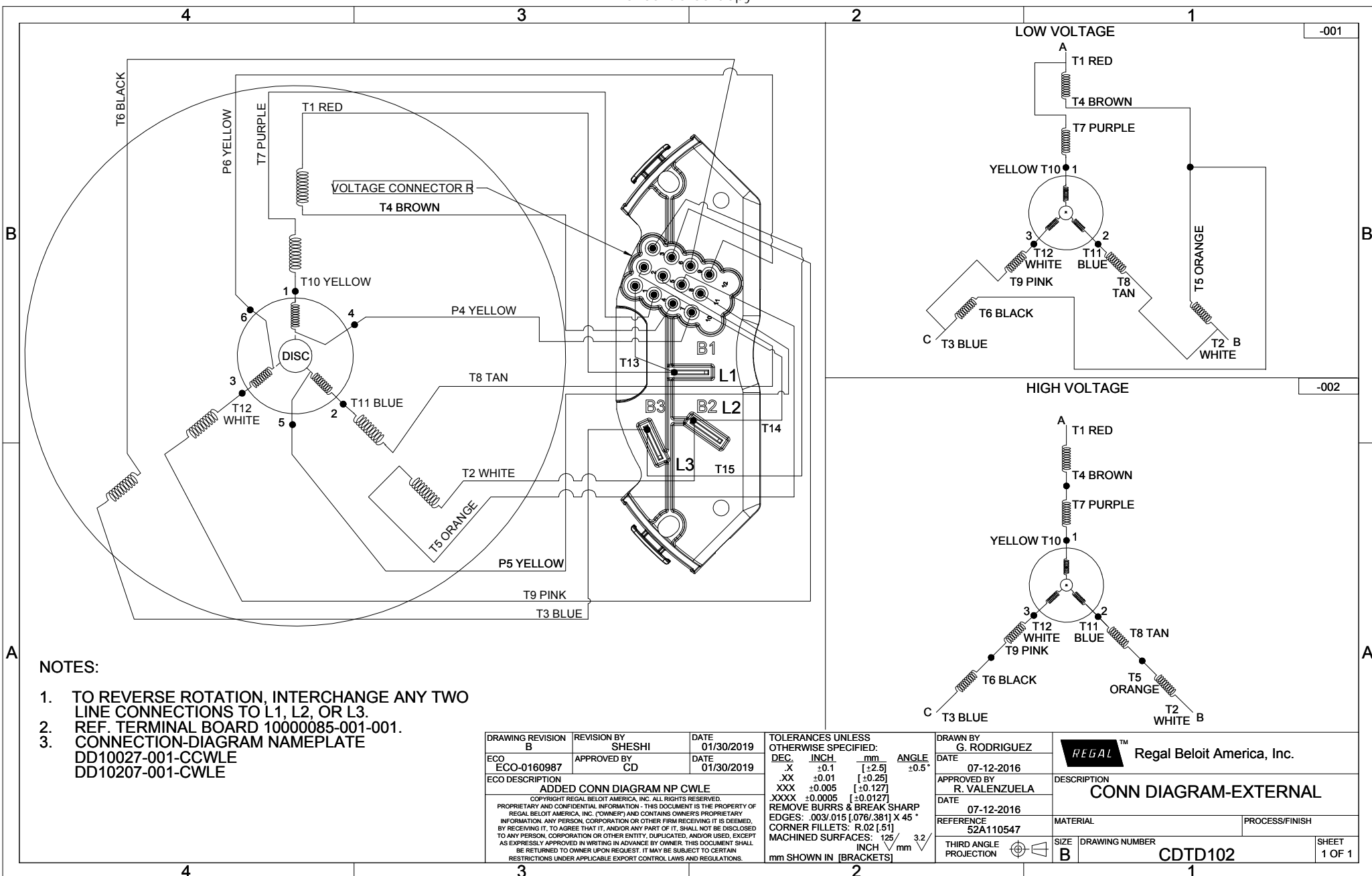
3



2

DRAWING REVISION A	REVISION BY D VALENCIANO	DATE 10-05-2016	TOLERANCES UNLESS OTHERWISE SPECIFIED: DEC. INCH / mm ANGLE X .01 [±2.5] XX .02 [±0.51] XXX ±0.005 [±0.127] XXXX ±0.0005 [±0.0127]	DRAWN BY D VALENCIANO	Regal Beloit America, Inc.		
ECCO-0110412	APPROVED BY	DATE	DATE 10-05-2016	DATE 10-05-2016			
ECCO DESCRIPTION NEW MODEL	<small> COPYRIGHT REGAL BELOIT AMERICA, INC. ALL RIGHTS RESERVED. PROPRIETARY AND CONFIDENTIAL INFORMATION - THIS DOCUMENT IS THE PROPERTY OF REGAL BELOIT AMERICA, INC. TOWERS AND CONTAINS THE OWNER'S PROPRIETARY INFORMATION. ANY PERSON, CORPORATION OR OTHER FIRM RECEIVING IT IS DEEMED, BY RECEIVING IT, TO AGREE THAT IT, AND/OR ANY PART OF IT, SHALL NOT BE DISCLOSED TO ANY PERSON, CORPORATION OR OTHER ENTITY, DUPLICATED, AND/OR USED, EXCEPT AS EXPRESSLY APPROVED IN WRITING IN ADVANCE BY OWNER. THIS DOCUMENT SHALL BE RETURNED TO OWNER UPON REQUEST. IT MAY BE SUBJECT TO CERTAIN RESTRICTIONS UNDER APPLICABLE EXPORT CONTROL LAWS AND REGULATIONS. </small>		APPROVED BY M ARGUELLES	DATE 10-05-2016	DESCRIPTION OUTLINE 56FR, ODP, 3-PHASE		
			<small> REMOVE BURRS & BREAK SHARP EDGES - .003/.015 [0.076/.381] X 45° CORNER FILLETS: R.02 [51] MACHINED SURFACES: 125 / 3.2 mm SHOWN IN [BRACKETS] INCH / mm </small>	REFERENCE	MATERIAL	PROCESS/FINISH	
				THIRD ANGLE PROJECTION	SIZE C	DRAWING NUMBER OL56100155-001	SHEET 1 OF 1

1



- NOTES:**
1. TO REVERSE ROTATION, INTERCHANGE ANY TWO LINE CONNECTIONS TO L1, L2, OR L3.
 2. REF. TERMINAL BOARD 10000085-001-001.
 3. CONNECTION-DIAGRAM NAMEPLATE DD10027-001-CWLE DD10207-001-CWLE

DRAWING REVISION B	REVISION BY SHESHI	DATE 01/30/2019	TOLERANCES UNLESS OTHERWISE SPECIFIED: DEC. INCH mm ANGLE ±0.5°
ECO ECO-0160987	APPROVED BY CD	DATE 01/30/2019	.X -0.1 [+2.5] .XX ±0.01 [+0.25] .XXX ±0.005 [+0.127] .XXXX ±0.0005 [+0.0127]
ECO DESCRIPTION ADDED CONN DIAGRAM NP CWLE			REMOVE BURRS & BREAK SHARP EDGES: .003/.015 [.076/.381] X 45° CORNER FILLETS: R.02 [.51] MACHINED SURFACES: 125/3.2 INCH/mm
<small>COPYRIGHT REGAL BELOIT AMERICA, INC. ALL RIGHTS RESERVED. PROPRIETARY AND CONFIDENTIAL INFORMATION - THIS DOCUMENT IS THE PROPERTY OF REGAL BELOIT AMERICA, INC. (OWNER) AND CONTAINS OWNERS PROPRIETARY INFORMATION. ANY PERSON, CORPORATION OR OTHER FIRM RECEIVING IT IS DEEMED, BY RECEIVING IT, TO AGREE THAT IT, AND/OR ANY PART OF IT, SHALL NOT BE DISCLOSED TO ANY PERSON, CORPORATION OR OTHER ENTITY, DUPLICATED, AND/OR USED, EXCEPT AS EXPRESSLY APPROVED IN WRITING IN ADVANCE BY OWNER. THIS DOCUMENT SHALL BE RETURNED TO OWNER UPON REQUEST. IT MAY BE SUBJECT TO CERTAIN RESTRICTIONS UNDER APPLICABLE EXPORT CONTROL LAWS AND REGULATIONS.</small>			mm SHOWN IN [BRACKETS]

DRAWN BY G. RODRIGUEZ	REGAL™ Regal Beloit America, Inc.	
DATE 07-12-2016	DESCRIPTION CONN DIAGRAM-EXTERNAL	
APPROVED BY R. VALENZUELA	MATERIAL	PROCESS/FINISH
DATE 07-12-2016		
REFERENCE 52A110547	SIZE B	DRAWING NUMBER CDTD102
THIRD ANGLE PROJECTION		SHEET 1 OF 1