

# PRODUCT INFORMATION PACKET



Model No: H882LES

Catalog No: H882LES

1 HP General Purpose Motor, 3 phase, 1800 RPM, 208-230/460 V, 56H Frame, ODP  
Three Phase ODP Motors



Regal and Century are trademarks of Regal Beloit Corporation or one of its affiliated companies.

©2019 Regal Beloit Corporation, All Rights Reserved. MC017097E

REGAL



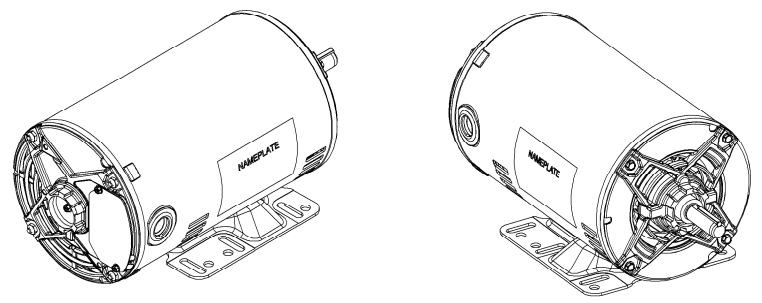
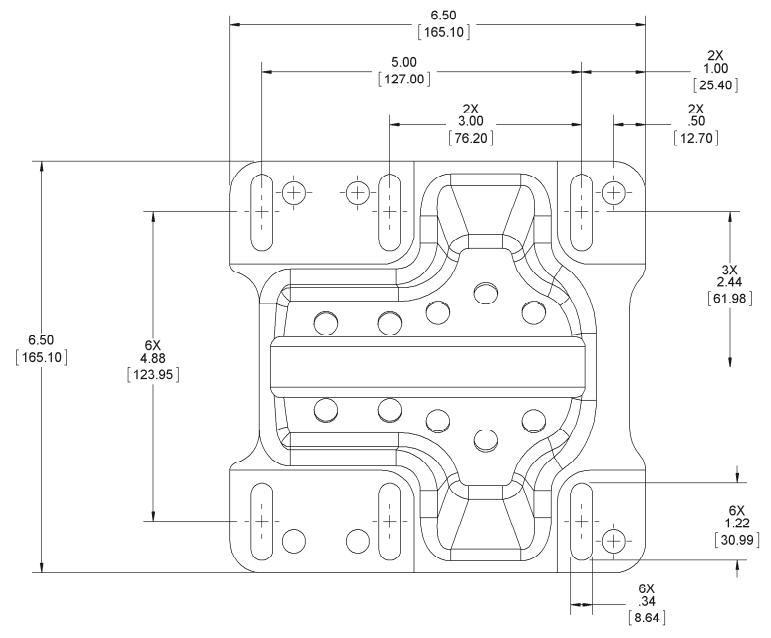
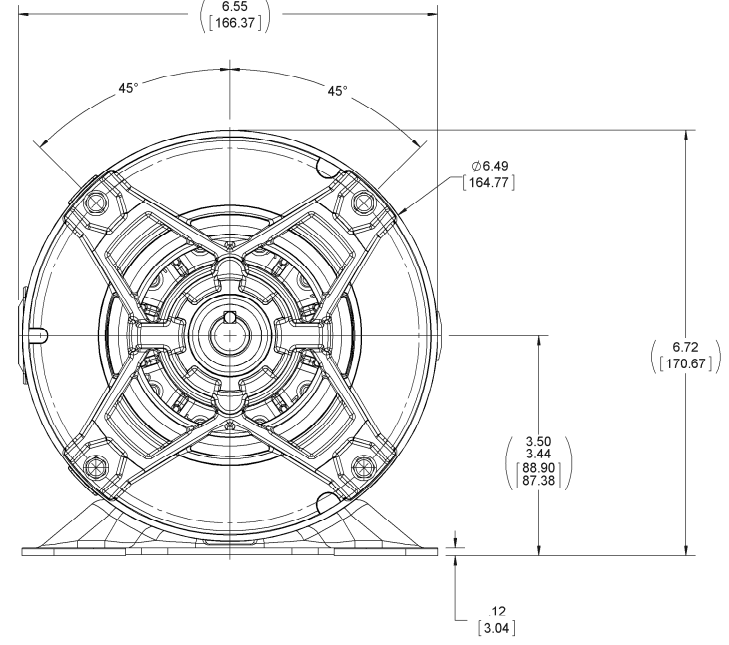
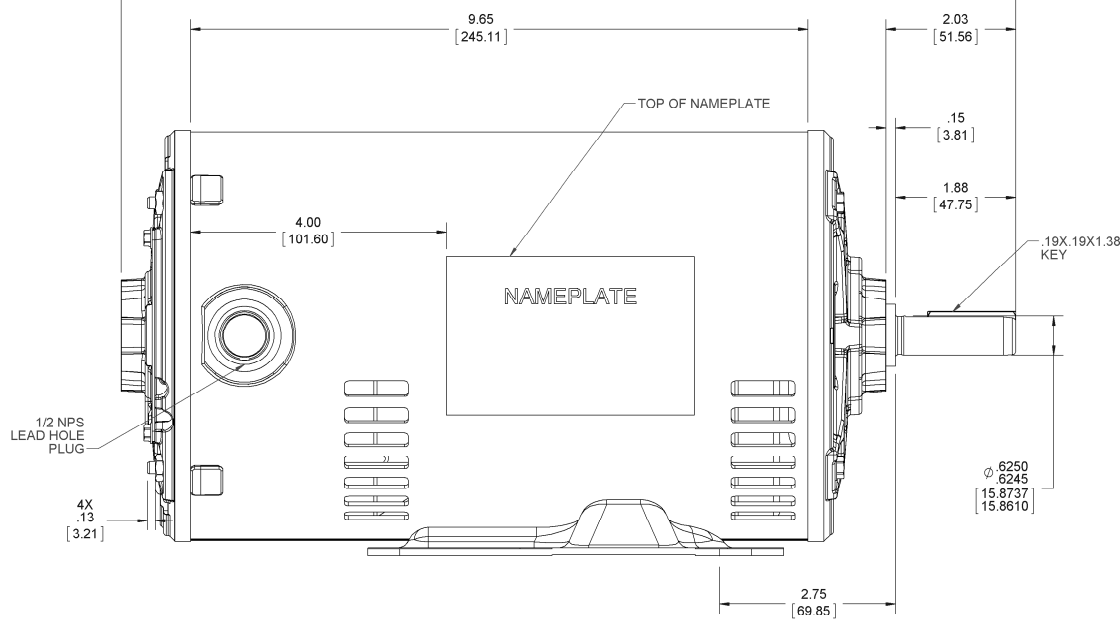
**Nameplate Specifications**


Output HP	<b>1 Hp</b>	Output KW	<b>0.75 kW</b>
Frequency	<b>60 Hz</b>	Voltage	<b>208-230/460 V</b>
Current	<b>3.2-3/1.5 A</b>	Speed	<b>1725 rpm</b>
Service Factor	<b>1.15</b>	Phase	<b>3</b>
Duty	<b>Continuous</b>	Insulation Class	<b>B</b>
Frame	<b>56H</b>	Enclosure	<b>Drip Proof</b>
Thermal Protection	<b>Automatic</b>	Ambient Temperature	<b>40 °C</b>
UL	<b>Recognized</b>	CSA	<b>Y</b>
CE	<b>Y</b>		

**Technical Specifications**

Electrical Type	<b>Three Phase</b>	Starting Method	<b>Across The Line</b>
Poles	<b>4</b>	Rotation	<b>Reversible</b>
Mounting	<b>Rigid base</b>	Drive End Bearing	<b>Ball</b>
Opp Drive End Bearing	<b>Ball</b>	Frame Material	<b>Rolled Steel</b>
Shaft Type	<b>NEMA 56</b>	Overall Length	<b>13.99 in</b>
Frame Length	<b>9.74 in</b>	Shaft Diameter	<b>0.625 in</b>
Shaft Extension	<b>1.88 in</b>		

This is an uncontrolled document once printed or downloaded and is subject to change without notice. Date Created:30/10/2019



DRAWING REVISION A	REVISION BY E VILLA	DATE 10-05-2016	TOLERANCES UNLESS OTHERWISE SPECIFIED: DEC. INCH mm ANGLE X .01 [-0.25] XX .02 [-0.51] XXX .0005 [-0.127] XXXX .00005 [-0.0127] MACHINED SURFACES: 125 / 3.2 mm SHOWN IN [BRACKETS]	DRAWN BY E VILLA	 Regal Beloit America, Inc.
ECCO-0110414	APPROVED BY J ORTEGA	DATE 10-05-2016	DATE 10-02-2016	APPROVED BY	
ECCO DESCRIPTION NEW MODEL RELEASE			REFERENCE	THIRD ANGLE PROJECTION	DESCRIPTION <b>OUTLINE</b> 56-140FR, DP, RIGID SPL
<small>COPYRIGHT REGAL BELOIT AMERICA, INC. ALL RIGHTS RESERVED.          PROPRIETARY AND CONFIDENTIAL INFORMATION - THIS DOCUMENT IS THE PROPERTY OF REGAL BELOIT AMERICA, INC. OWNERS AND CONTAINS THE OWNER'S PROPRIETARY INFORMATION. ANY PERSON, CORPORATION OR OTHER FIRM RECEIVING IT IS DEEMED, BY RECEIVING IT, TO AGREE THAT IT, AND/OR ANY PART OF IT, SHALL NOT BE DISCLOSED TO ANY PERSON, CORPORATION OR OTHER ENTITY, DUPLICATED, AND/OR USED, EXCEPT AS EXPRESSLY APPROVED IN WRITING IN ADVANCE BY OWNER. THIS DOCUMENT SHALL BE RETURNED TO OWNER UPON REQUEST. IT MAY BE SUBJECT TO CERTAIN RESTRICTIONS UNDER APPLICABLE EXPORT CONTROL LAWS AND REGULATIONS.</small>			MATERIAL	PROCESS/FINISH	SIZE C
			DRAWING NUMBER OL56100156-001	SHEET 1 OF 1	