

PRODUCT INFORMATION PACKET



Model No: H767V1

Catalog No: H767V1

1.5 HP Condenser Fans HVAC/R Motor, 3 phase, 1200 RPM, 200-230/460 V, 56Y Frame, OPAO
Condenser Fans Motors



Regal and Century are trademarks of Regal Beloit Corporation or one of its affiliated companies.

©2019 Regal Beloit Corporation, All Rights Reserved. MC017097E

REGAL



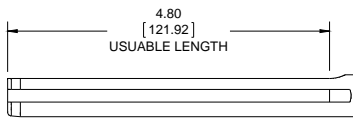
Nameplate Specifications

Output HP	1.5 Hp	Output KW	1.1 kW
Frequency	60 Hz	Voltage	200-230/460 V
Current	5.1-5.0/2.5 A	Speed	1140 rpm
Service Factor	1	Phase	3
Duty	Continuous	Insulation Class	B
Frame	56Y	Enclosure	Open Air Over
Thermal Protection	Thermally Protected	Ambient Temperature	60 °C
UL	Recognized	CSA	Y
CE	N		

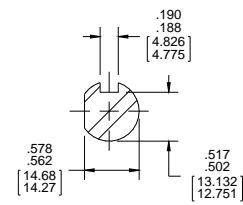
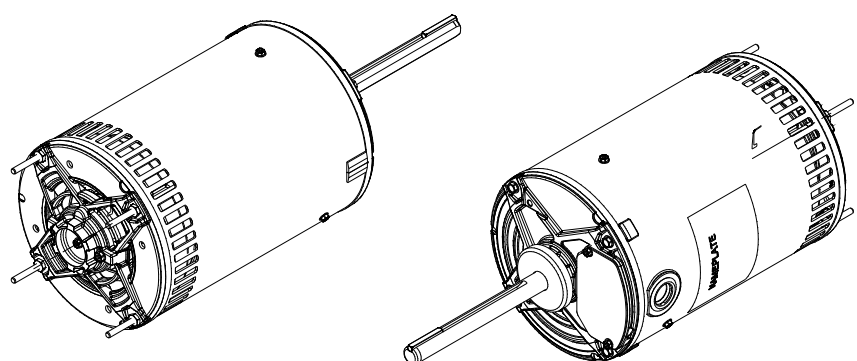
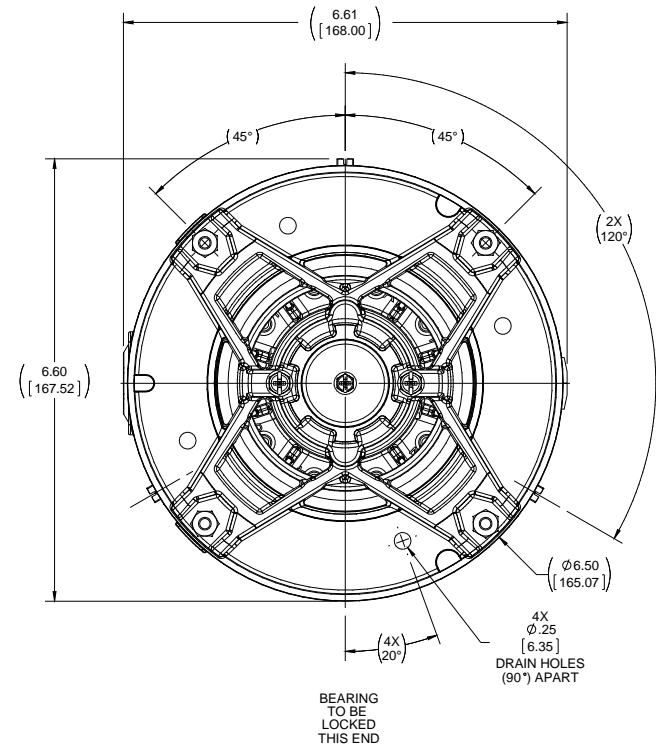
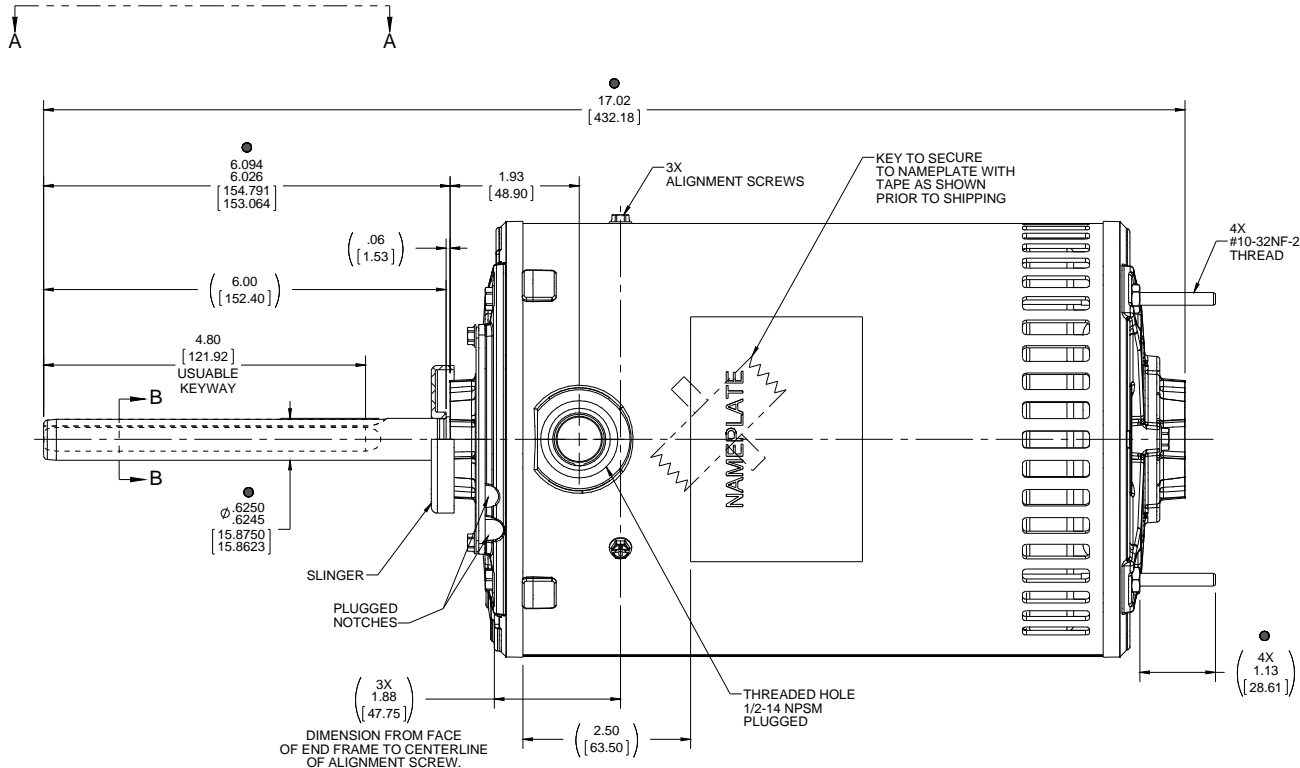
Technical Specifications

Electrical Type	Three Phase	Starting Method	Across The Line
Poles	6	Rotation	Reversible
Mounting	Round	Drive End Bearing	Ball
Opp Drive End Bearing	Ball	Frame Material	Rolled Steel
Shaft Type	Keyed	Overall Length	17.02 in
Frame Length	8.65 in	Shaft Diameter	0.625 in
Shaft Extension	6.19 in		

This is an uncontrolled document once printed or downloaded and is subject to change without notice. Date Created:30/10/2019



SECTION A-A



SECTION B-B

● = CRITICAL DIMENSION

DRAWING REVISION A	REVISION BY D.VALENCIANO	DATE 04-30-2016	TOLERANCES UNLESS OTHERWISE SPECIFIED: DEC. INCH mm ANGLE .XX ±0.1 [±2.5] .XXX ±0.03 [±0.76] .XXXX ±0.005 [±0.127] .XXXXX ±0.0005 [±0.0127] REMOVE BURRS & BREAK SHARP EDGES: .003/.015 [0.076/.381] X 45° CORNER FILLETS: R.02 [51] MACHINED SURFACES: 1/25 / 3.2 INCH / mm V mm SHOWN IN [BRACKETS]	DRAWN BY D.VALENCIANO	DATE 04-30-2016	DESCRIPTION OUTLINE 56FR, OAO, 3-PHASE
ECO-0101205	APPROVED BY J.ORTEGA	DATE 04-30-2016	NEW MODEL RELEASE	APPROVED BY J.ORTEGA	DATE 04-30-2016	MATERIAL H767
ECO DESCRIPTION NEW MODEL RELEASE COPYRIGHT REGAL BELOIT AMERICA, INC. ALL RIGHTS RESERVED. PROPRIETARY AND CONFIDENTIAL INFORMATION. THIS DOCUMENT IS THE PROPERTY OF REGAL BELOIT AMERICA, INC. IT CONTAINS AND CONTAINS OWNERS PROPRIETARY INFORMATION. ANY PERSON, CORPORATION OR OTHER FIRM RECEIVING IT IS DEEMED, BY RECEIVING IT, TO AGREE THAT IT, AND/OR ANY PART OF IT, SHALL NOT BE DISCLOSED TO ANY PERSON, CORPORATION OR OTHER ENTITY, DUPLICATED, AND/OR USED, EXCEPT AS EXPRESSLY APPROVED IN WRITING IN ADVANCE BY OWNER. THIS DOCUMENT SHALL BE RETURNED TO OWNER UPON REQUEST. IT MAY BE SUBJECT TO CERTAIN RESTRICTIONS UNDER APPLICABLE EXPORT CONTROL LAWS AND REGULATIONS.			REFERENCE H767	THIRD ANGLE PROJECTION	SIZE C	PROCESS/FINISH
				DRAWING NUMBER OL56100070-001	SHEET 1 OF 1	