

PRODUCT INFORMATION PACKET



Model No: H734

Catalog No: H734

3.0 HP General Purpose Pump Motor, 3 phase, 3600 RPM, 200-230/460 V, 56J Frame, ODP
General Purpose Pump Three Phase Motors



Regal and Century are trademarks of Regal Beloit Corporation or one of its affiliated companies.

©2019 Regal Beloit Corporation, All Rights Reserved. MC017097E

REGAL



Nameplate Specifications

Output HP	3.0 Hp	Output KW	2.2 kW
Frequency	60 Hz	Voltage	200-230/460 V
Current	SF 9.8-9.6/4.8 A	Speed	3450 rpm
Service Factor	1.15	Phase	3
Duty	Continuous	Insulation Class	B
Frame	N56J	Enclosure	Drip Proof
Thermal Protection	None	Ambient Temperature	40 °C
UL	Recognized	CSA	Y
CE	N		

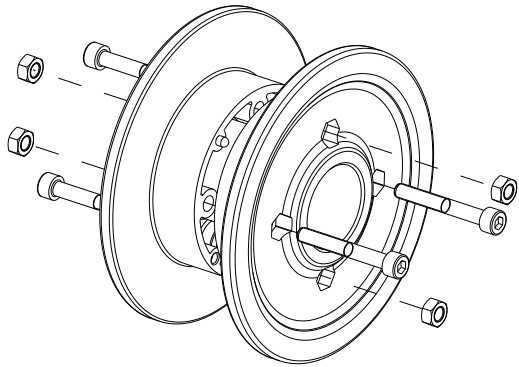
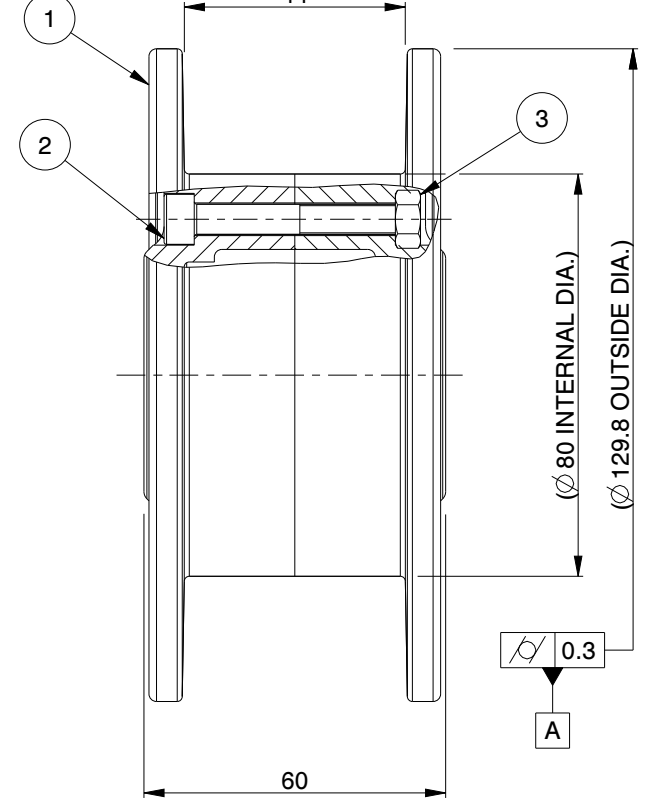
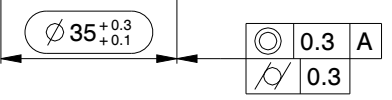
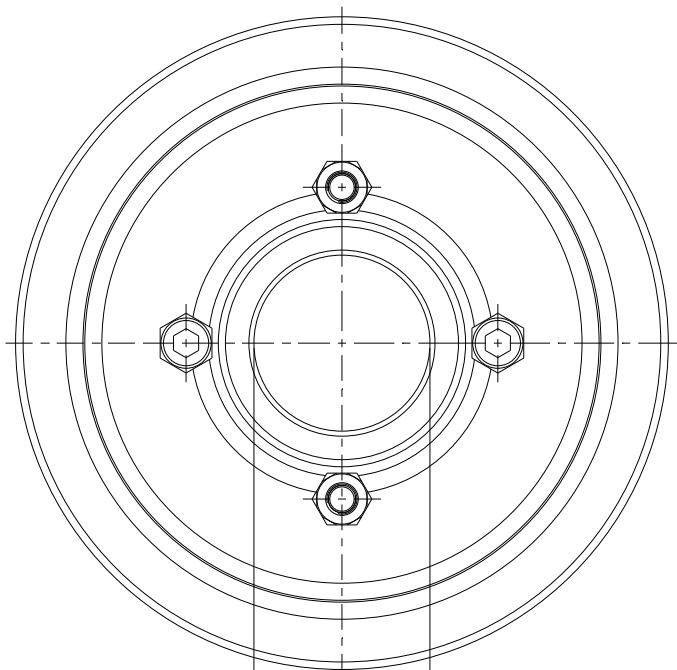
Technical Specifications

Electrical Type	Polyphase, Induction Type, Single Or Dual Voltage	Starting Method	Across The Line
Poles	2	Rotation	Reversible Clockwise
Mounting	Round	Drive End Bearing	Ball
Opp Drive End Bearing	Ball	Frame Material	Rolled Steel
Shaft Type	Threaded	Overall Length	12.85 in
Frame Length	7.25 in	Shaft Diameter	0.625 in
Shaft Extension	2.60 in		

This is an uncontrolled document once printed or downloaded and is subject to change without notice. Date Created:04/11/2019

E
D
C
B
A

E
D
C
B
A



SCALE 1:2

Pos	Code	Description	Qty	Material	Color
3	84088	NUT-M6X5-H10-GS	4	GALVANIZED STEEL	----
2	84288	BOLT-M6X45-S-H-ZN	4	ZINC PLATED STEEL	-
1	82047	HALF IDLER WHEEL Z21 DF 35mm	2	PA6	BLACK

Experimental code	---	<p>The 2D drawing is leading with respect to dimensions. For all dimensions not specifically mentioned refer to the 3D model.</p> <p>EMERSON Industrial Automation</p> <p>SYSTEM PLAST</p> <p>POWER TRANSMISSION SOLUTIONS</p> <p>Confidential Property of Power Transmission Solutions</p> <p>By accepting this document you agree to the following: This document and the information it contains is the property of Power Transmission Solutions. It must be held in strict confidence and be properly safeguarded by you at all times. It may only be used for the specific purpose that it was loaned to you. It may not be revealed to another party without prior written authorization from Power Transmission Solutions.</p>	Drawn by	Description		
Material description	---		D. KASHID	820-21R35M-W		
Material code	---		Date	Long description		
Material color	---		26/05/2015	SPROCKET		
Weight	296 g	NPI / ECN	C00794	Scale	Tool number	Sheet
				1:1	---	1 of 1
				Part number	Rev.	
				12686	A	

8 | 7 | 6 | 5 | 4 | 3 | 2 | 1