

# PRODUCT INFORMATION PACKET



Model No: H703LES

Catalog No: H703LES

2 HP General Purpose Motor, 3 phase, 1800 RPM, 200-230/460 V, 56C Frame, TEFC  
Three Phase TEFC Motors



Regal and Century are trademarks of Regal Beloit Corporation or one of its affiliated companies.

©2019 Regal Beloit Corporation, All Rights Reserved. MC017097E

The REGAL logo consists of the word 'REGAL' in a bold, white, sans-serif font, set against a dark gray, trapezoidal background. This logo is positioned on a vertical blue gradient bar that runs down the right side of the page.

REGAL



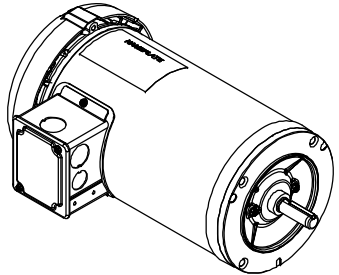
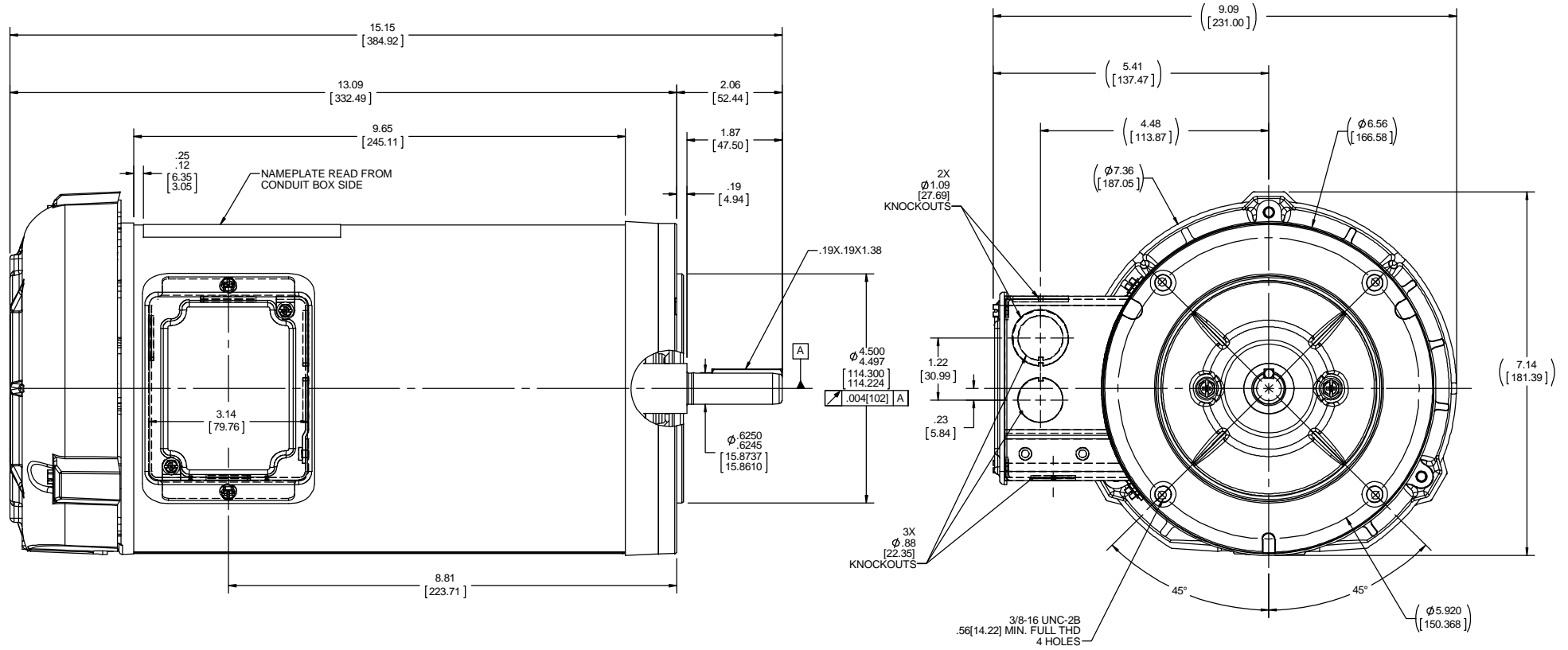
**Nameplate Specifications**

Output HP	<b>2 Hp</b>	Output KW	<b>1.5 kW</b>
Frequency	<b>60 Hz</b>	Voltage	<b>200-230/460 V</b>
Current	<b>6.4-6/3 A</b>	Speed	<b>1725 rpm</b>
Service Factor	<b>1.15</b>	Phase	<b>3</b>
Duty	<b>Continuous</b>	Insulation Class	<b>F</b>
Frame	<b>56C</b>	Enclosure	<b>Totally Enclosed Fan Cooled</b>
Thermal Protection	<b>None</b>	Ambient Temperature	<b>40 °C</b>
UL	<b>Recognized</b>	CSA	<b>Y</b>
CE	<b>Y</b>		

**Technical Specifications**

Electrical Type	<b>Polyphase</b>	Starting Method	<b>Across The Line</b>
Poles	<b>4</b>	Rotation	<b>Reversible</b>
Mounting	<b>Round</b>	Drive End Bearing	<b>Ball</b>
Opp Drive End Bearing	<b>Ball</b>	Frame Material	<b>Rolled Steel</b>
Shaft Type	<b>NEMA 56</b>	Overall Length	<b>15.15 in</b>
Frame Length	<b>9.75 in</b>	Shaft Diameter	<b>0.625 in</b>
Shaft Extension	<b>2.06 in</b>		

This is an uncontrolled document once printed or downloaded and is subject to change without notice. Date Created:30/10/2019



DRAWING REVISION A		REVISION BY	DATE	TOLERANCES UNLESS OTHERWISE SPECIFIED:		DRAWN BY J.M.RAMIREZ	Regal Beloit America, Inc.
ECO-0134349	APPROVED BY	DATE	DEC.	INCH	mm	ANGLE	
ECO DESCRIPTION NEW MODEL RELEASE				.X	±0.1	[±2.5]	±0.5°
<small>COPYRIGHT REGAL BELOIT AMERICA, INC. ALL RIGHTS RESERVED.                  PROPRIETARY AND CONFIDENTIAL INFORMATION. THIS DOCUMENT IS THE PROPERTY OF REGAL BELOIT AMERICA, INC. FORMERLY AND CONTAINS OWNERS PROPRIETARY INFORMATION. ANY PERSON, CORPORATION OR OTHER FIRM RECEIVING IT IS DEEMED BY RECEIVING IT, TO AGREE THAT IT, AND/OR ANY PART OF IT, SHALL NOT BE DISCLOSED TO ANY PERSON, CORPORATION OR OTHER ENTITY, DUPLICATED, AND/OR USED, EXCEPT AS EXPRESSLY APPROVED IN WRITING IN ADVANCE BY OWNER. THIS DOCUMENT SHALL BE RETURNED TO OWNER UPON REQUEST. IT MAY BE SUBJECT TO CERTAIN RESTRICTIONS UNDER APPLICABLE EXPORT CONTROL LAWS AND REGULATIONS.</small>				.XX	±0.02	[±0.51]	
<small>REMOVE BURRS &amp; BREAK SHARP EDGES: .003/.015 [078/.381] X 45° CORNER FILLETS: R.02 [.51]</small>				.XXX	±0.005	[±0.127]	
<small>MACHINED SURFACES: .125 / 3.2 mm SHOWN IN (BRACKETS)</small>				.XXXX	±0.0005	[±0.0127]	
REFERENCE: THIRD ANGLE PROJECTION				SIZE: DRAWING NUMBER C OL56100260-001		DESCRIPTION 56H FR, TEFC, C-FACE	
SHEET 1 OF 1							