

PRODUCT INFORMATION PACKET



Model No: H661ES

Catalog No: H661ES

1.5 HP General Purpose Pump Motor, 3 phase, 3600 RPM, 230/460 V, 56J Frame, TEFC
General Purpose Pump Three Phase Motors



Regal and Century are trademarks of Regal Beloit Corporation or one of its affiliated companies.

©2019 Regal Beloit Corporation, All Rights Reserved. MC017097E

The REGAL logo consists of the word 'REGAL' in a bold, white, sans-serif font, set against a dark grey rectangular background with a slight shadow effect.

REGAL



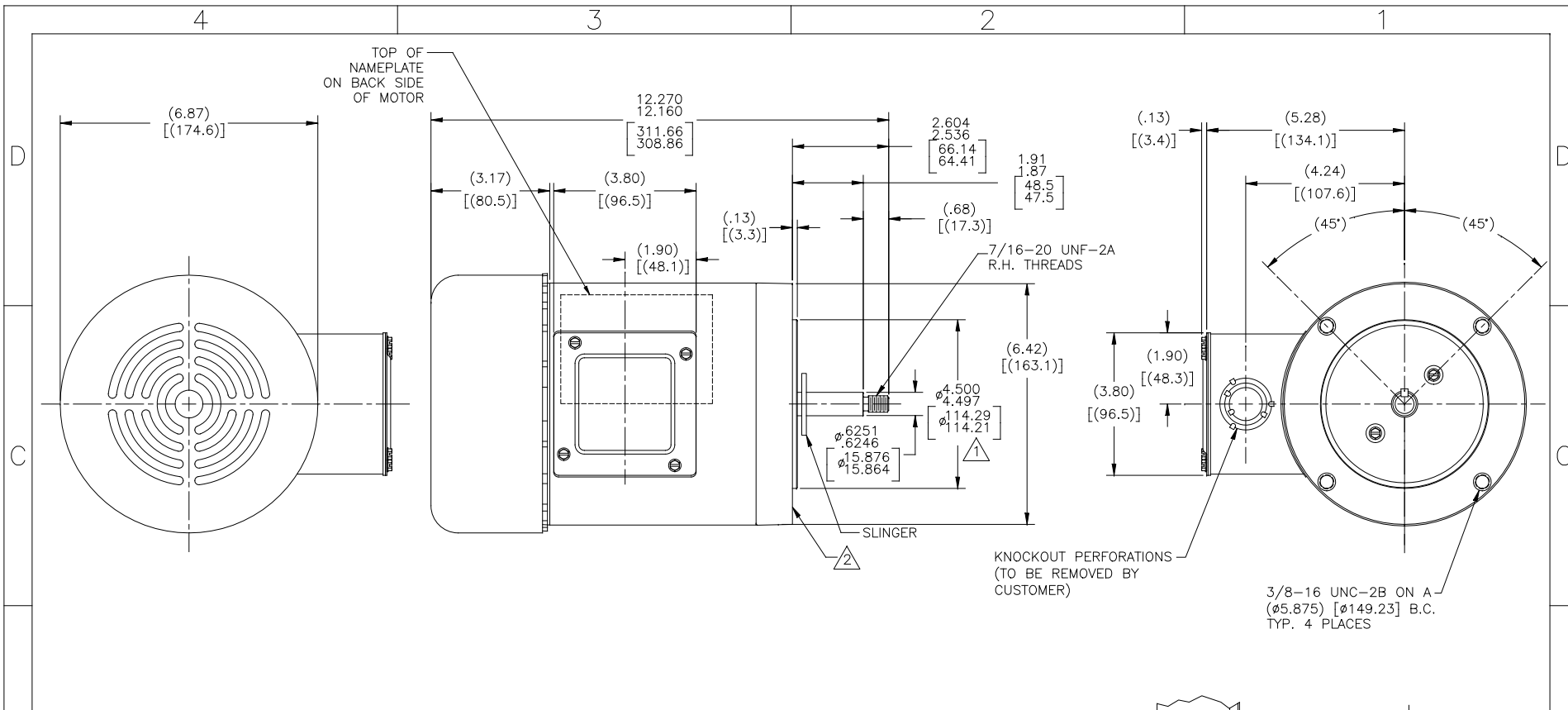
Nameplate Specifications

| | | | |
|--------------------|------------|---------------------|-----------------------------|
| Output HP | 1.5 Hp | Output KW | 1.1 kW |
| Frequency | 60 Hz | Voltage | 230/460 V |
| Current | 4.0/2.0 A | Speed | 3450 rpm |
| Service Factor | 1.15 | Phase | 3 |
| Duty | Continuous | Insulation Class | B |
| Frame | K56J | Enclosure | Totally Enclosed Fan Cooled |
| Thermal Protection | None | Ambient Temperature | 40 °C |
| UL | Recognized | CSA | Y |
| CE | Y | | |

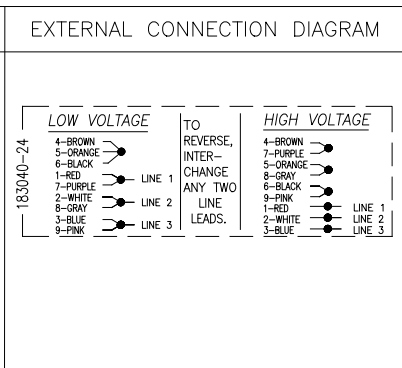
Technical Specifications

| | | | |
|-----------------------|---|-------------------|----------------------|
| Electrical Type | Polyphase, Induction Type, Single Or Dual Voltage | Starting Method | Across The Line |
| Poles | 2 | Rotation | Reversible Clockwise |
| Mounting | Round | Drive End Bearing | Ball |
| Opp Drive End Bearing | Ball | Frame Material | Rolled Steel |
| Shaft Type | Threaded | Overall Length | 12.27 in |
| Frame Length | 5.50 in | Shaft Diameter | 0.625 in |
| Shaft Extension | 2.604 in | | |

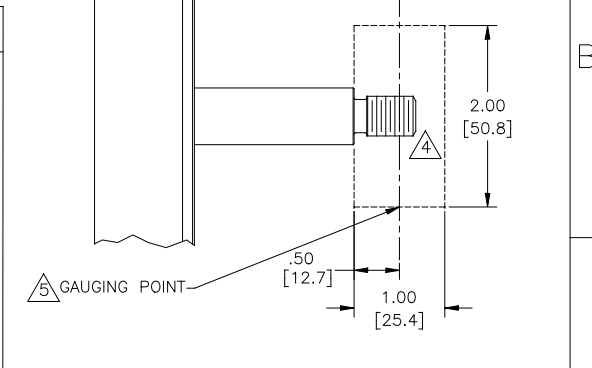
This is an uncontrolled document once printed or downloaded and is subject to change without notice. Date Created:04/11/2019



| NAMEPLATE DATA | |
|-------------------|-----------------|
| MODEL: P56AJ07A01 | CUST PN: H661ES |
| HP: 1.5 | SF: 1.15 |
| ROT: RCW | FORM: SC |
| RPM: 3450 | CODE: L |
| VOLTS: 230/460 | FRAME: K56J |
| AMPS: 4.0/2.0 | |
| SF AMPS: 4.4/2.2 | |
| PH: 3 | HZ: 60 |
| INS: B | AMB: 40°C |
| DUTY: CONT | |
| ENCLOSURE: TEFC | |



- NOTES**
- ▲ PILOT DIAMETER IS CONCENTRIC WITH SHAFT CENTERLINE WITHIN .004 T.I.R.
 - ▲ FACE OF MOUNTING FLANGE IS PERPENDICULAR TO SHAFT CENTERLINE WITHIN .004 T.I.R.
 - 3. SHAFT RUNOUT NOT TO EXCEED .002 T.I.R.
 - 4. FOR THREADED SHAFT EXT. MATING PARTS SHOULD BE RELIEVED ONE THREAD TO CLEAR FELLET.
 - ▲ FOR THREADER SHAFT EXT. ECCENTRICITY OF THREADED PORTION OF SHAFT IS HELD WITHIN .004 TOTAL GAGE READING WITH THE INDICATOR ON O.D. OF GROUND RING AS SHOWN, THE GAGE BEING STATIONARY WITH RESPECT TO THE ROTOR.
 - 6. END PLAY NOT TO EXCEED .010 MEASURED WITH NO THRUST
 - 7. ALL DIMENSIONS SHOWN IN PARENTHESIS ARE REFERENCE DIMENSIONS.



| PERFORMANCE CURVE | | APPROVED SAMPLE | |
|-------------------|--------------------|-----------------|---------|
| SS0098312 | | | |
| UL COMPONENT | | CSA | |
| FILE# | CCN# | FILE# | GUIDE# |
| E44549 | PRGY2 | LR4642 | 4211-01 |
| CUSTOMER | REGAL DISTRIBUTION | | |

| DRAWING REVISION | REVISION BY | DATE | TOLERANCES UNLESS OTHERWISE SPECIFIED |
|------------------|----------------------|-----------------|---------------------------------------|
| B | P. ROJAS | 03-28-2017 | DEC. INCH mm ANGLE |
| ECO-0120488 | APPROVED BY P. ROJAS | DATE 03-28-2017 | X ±0.1 (±2.5) ±0.5° |
| SEE ECO | | | .XX ±0.02 (±0.51) |
| | | | .XXX ±0.005 (±0.127) |
| | | | XXXX ±0.0005 & BREAK SHARP |
| | | | REMOVE SURFS & BREAK SHARP |
| | | | EDGES .003,015 (0.076,381) |
| | | | CORNER FILLETS .02 (1.51) |
| | | | MACHINED SURFACES |
| | | | mm SHOWN IN [BRACKETS] |

| DRAWN BY: | | MATERIAL | | PROCESS/FINISH | |
|--------------------------|--|-------------|--|----------------|--|
| L. ALMARAZ | | H661ES | | | |
| DATE: 04/08/2016 | | MATERIAL | | PROCESS/FINISH | |
| APPROVED BY: D. WENDLING | | MATERIAL | | PROCESS/FINISH | |
| DATE: 04/08/2016 | | MATERIAL | | PROCESS/FINISH | |
| REFERENCE | | MATERIAL | | PROCESS/FINISH | |
| THIRD ANGLE PROJECTION | | SIZE DWG NO | | SHEET | |
| | | H661ES | | 1 | |