

PRODUCT INFORMATION PACKET



Model No: H528ES
Catalog No: H528ES
1 HP General Purpose Motor, 3 phase, 1800 RPM, 230/460 V, 56H Frame, TEFC
Three Phase TEFC Motors



Regal and Century are trademarks of Regal Beloit Corporation or one of its affiliated companies.
©2019 Regal Beloit Corporation, All Rights Reserved. MC017097E

The REGAL logo consists of the word 'REGAL' in a bold, white, sans-serif font, set against a dark grey rectangular background with a slight 3D effect.

REGAL



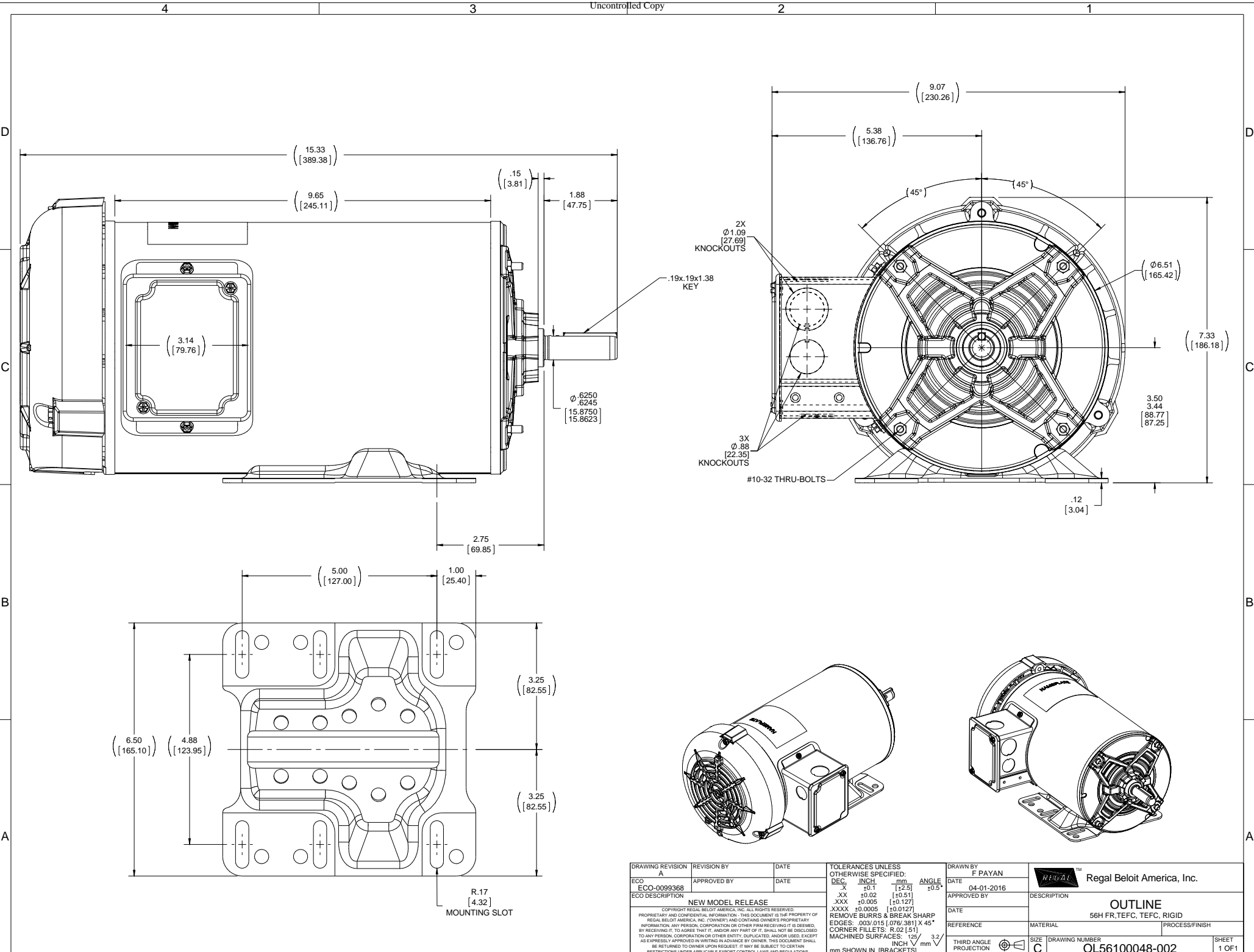
Nameplate Specifications

Output HP	1 Hp	Output KW	0.75 kW
Frequency	60 Hz	Voltage	230/460 V
Current	3.8/1.9 A	Speed	1140 rpm
Service Factor	1.15	Phase	3
Duty	Continuous	Insulation Class	B
Frame	56H	Enclosure	Totally Enclosed Fan Cooled
Thermal Protection	No	Ambient Temperature	40 °C
UL	Recognized	CSA	Y
CE	Y		

Technical Specifications

Electrical Type	Three Phase	Starting Method	Across The Line
Poles	4	Rotation	Reversible
Mounting	Rigid base	Drive End Bearing	Ball
Opp Drive End Bearing	Ball	Frame Material	Rolled Steel
Shaft Type	NEMA 56	Overall Length	15.33 in
Frame Length	9.75 in	Shaft Diameter	0.625 in
Shaft Extension	2.03 in		

This is an uncontrolled document once printed or downloaded and is subject to change without notice. Date Created:30/10/2019



DRAWING REVISION A		REVISION BY	DATE	TOLERANCES UNLESS OTHERWISE SPECIFIED:		DRAWN BY F PAYAN	Regal Beloit America, Inc.	
ECO-0099368	APPROVED BY	DATE	DEC.	INCH	mm	ANGLE		
ECO DESCRIPTION NEW MODEL RELEASE	<small> COPYRIGHT REGAL BELOIT AMERICA, INC. ALL RIGHTS RESERVED. PROPRIETARY AND CONFIDENTIAL INFORMATION. THIS DOCUMENT IS THE PROPERTY OF REGAL BELOIT AMERICA, INC. (OWNERS) AND CONTAINS OWNERS PROPRIETARY INFORMATION. ANY PERSON, CORPORATION OR OTHER FIRM RECEIVING IT IS DEEMED, BY RECEIVING IT, TO AGREE THAT IT, AND/OR ANY PART OF IT, SHALL NOT BE DISCLOSED TO ANY PERSON, CORPORATION OR OTHER ENTITY, DUPLICATED, AND/OR USED, EXCEPT AS EXPRESSLY APPROVED IN WRITING IN ADVANCE BY OWNERS. THIS DOCUMENT SHALL BE RETURNED TO OWNER UPON REQUEST. IT MAY BE SUBJECT TO CERTAIN RESTRICTIONS UNDER APPLICABLE EXPORT CONTROL LAWS AND REGULATIONS. </small>			.X	±0.1	[±2.5]	±0.5°	
			.XX	±0.02	[±0.51]			
			.XXX	±0.005	[±0.127]			
			.XXXX	±0.0005	[±0.0127]			
			REMOVE BURRS & BREAK SHARP EDGES: .0031 015 [0761.381] X 45° CORNER FILLETS: R.02 [51]					
			MACHINED SURFACES: .125 / 3.2 INCH / mm √					
			mm SHOWN IN [BRACKETS]					
REFERENCE	MATERIAL	PROCESS/FINISH	THIRD ANGLE PROJECTION	SIZE	DRAWING NUMBER	SHEET		
				C	OL56100048-002	1 OF 1		