

# PRODUCT INFORMATION PACKET



Model No: H524LES  
Catalog No: H524LES  
1 HP General Purpose Motor, 3 phase, 1800 RPM, 230/460 V, 56 Frame, TEFC  
Three Phase TEFC Motors



Regal and Century are trademarks of Regal Beloit Corporation or one of its affiliated companies.  
©2019 Regal Beloit Corporation, All Rights Reserved. MC017097E





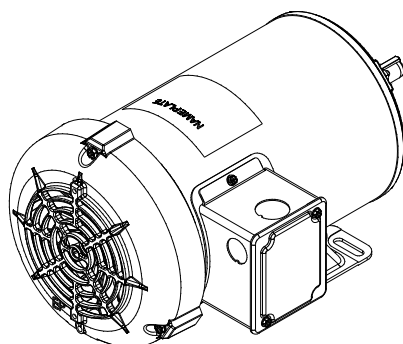
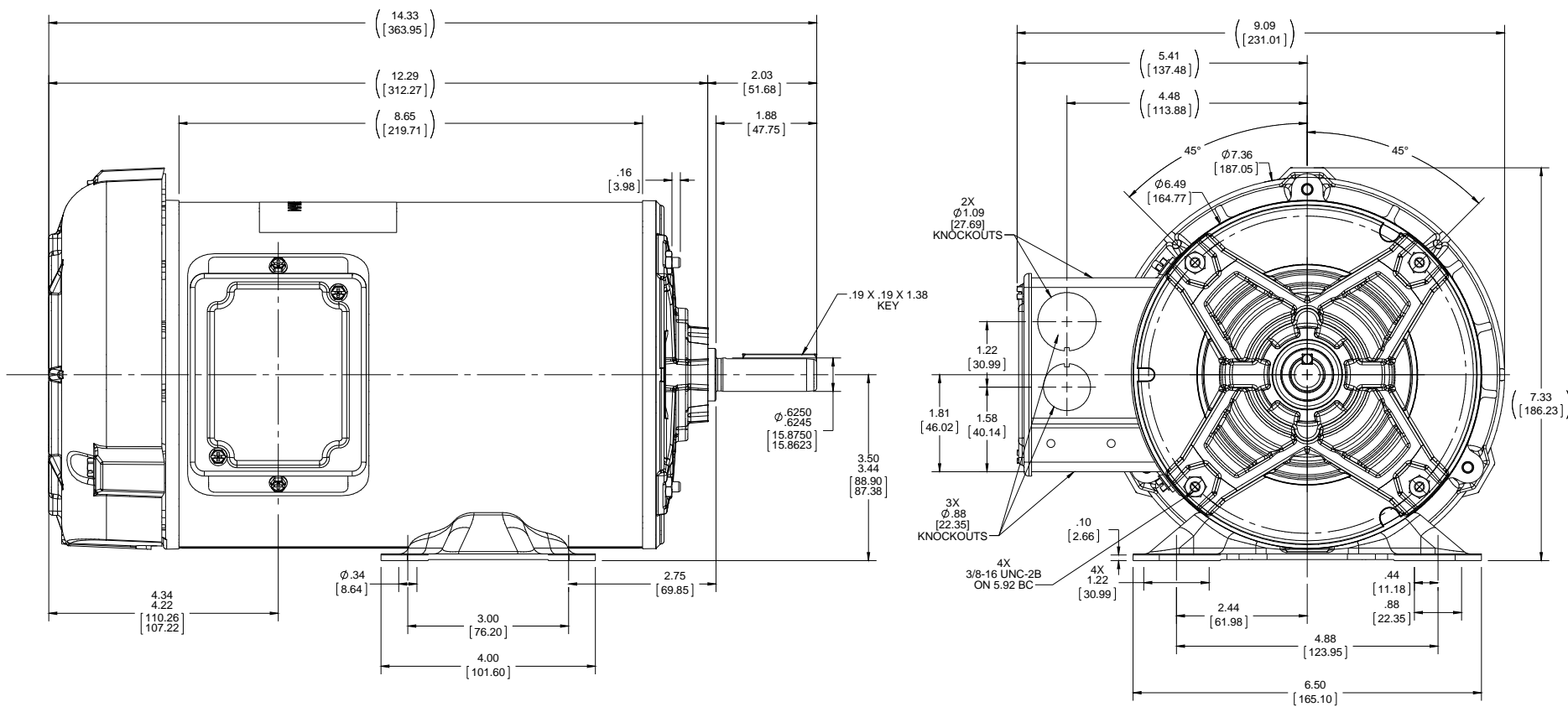
**Nameplate Specifications**

Output HP	<b>1 Hp</b>	Output KW	<b>0.75 kW</b>
Frequency	<b>60 Hz</b>	Voltage	<b>230/460 V</b>
Current	<b>3.3/1.65 A</b>	Speed	<b>1725 rpm</b>
Service Factor	<b>1.15</b>	Phase	<b>3</b>
Duty	<b>Continuous</b>	Insulation Class	<b>B</b>
Frame	<b>56</b>	Enclosure	<b>Totally Enclosed Fan Cooled</b>
Thermal Protection	<b>None</b>	Ambient Temperature	<b>40 °C</b>
UL	<b>Recognized</b>	CSA	<b>Y</b>
CE	<b>Y</b>		

**Technical Specifications**

Electrical Type	<b>Three Phase</b>	Starting Method	<b>Across The Line</b>
Poles	<b>4</b>	Rotation	<b>Reversible</b>
Mounting	<b>Rigid Base</b>	Drive End Bearing	<b>Ball</b>
Opp Drive End Bearing	<b>Ball</b>	Frame Material	<b>Rolled Steel</b>
Shaft Type	<b>NEMA 56</b>	Overall Length	<b>14.33 in</b>
Frame Length	<b>8.75 in</b>	Shaft Diameter	<b>0.625 in</b>
Shaft Extension	<b>2.03 in</b>		

This is an uncontrolled document once printed or downloaded and is subject to change without notice. Date Created:30/10/2019



DRAWING REVISION A	REVISION BY -	DATE -	TOLERANCES UNLESS OTHERWISE SPECIFIED: DEC. INCH mm ANGLE .X ±0.1 [2.5] ±7 30° .XX ±0.03 [0.76] .XXX ±0.005 [0.127] .XXXX ±0.0005 [0.0127] REMOVE BURRS & BREAK SHARP EDGES - .0031 [0.0762] X 45° CORNER FILLETS: R.02 [51] MACHINED SURFACES: 200 5:1 INCH V mm V mm SHOWN IN [BRACKETS]	DRAWN BY R.KAESTNER	REGAL BELLOI™ Regal Beloit America, Inc.
ECO-0099362	APPROVED BY -	DATE -	NEW RELEASE	DATE 04-01-2016	DESCRIPTION OUTLINE 56 FR TEFC, RIGID
<small>COPYRIGHT REGAL BELLOI AMERICA, INC. ALL RIGHTS RESERVED. PROPRIETARY AND CONFIDENTIAL INFORMATION. THIS DOCUMENT IS THE PROPERTY OF REGAL BELLOI AMERICA, INC. (OWNERS) AND CONTAINS OWNERS' PROPRIETARY INFORMATION. ANY PERSON, CORPORATION OR OTHER FIRM RECEIVING IT IS DEEMED, BY RECEIVING IT, TO AGREE THAT IT, AND/OR ANY PART OF IT, SHALL NOT BE DISCLOSED TO ANY PERSON, CORPORATION OR OTHER ENTITY, DUPLICATED, AND/OR USED, EXCEPT AS EXPRESSLY APPROVED IN WRITING IN ADVANCE BY OWNERS. THIS DOCUMENT SHALL BE RETURNED TO OWNER UPON REQUEST. IT MAY BE SUBJECT TO CERTAIN RESTRICTIONS UNDER APPLICABLE EXPORT CONTROL LAWS AND REGULATIONS.</small>			REFERENCE OL56100045-001	THIRD ANGLE PROJECTION	PROCESS/FINISH
			SIZE C	DRAWING NUMBER OL56100051-001	SHEET 1 OF 1