

# PRODUCT INFORMATION PACKET



Model No: H446

Catalog No: H446

3/4 HP General Purpose Pump Motor, 3 phase, 3600 RPM, 208-230/460 V, 56J Frame, ODP  
General Purpose Pump Three Phase Motors



Regal and Century are trademarks of Regal Beloit Corporation or one of its affiliated companies.

©2019 Regal Beloit Corporation, All Rights Reserved. MC017097E

The REGAL logo consists of the word 'REGAL' in a bold, white, sans-serif font, set within a dark gray, trapezoidal shape that tapers to the right. This logo is positioned on a blue background with a halftone dot pattern that runs vertically down the right side of the page.

REGAL



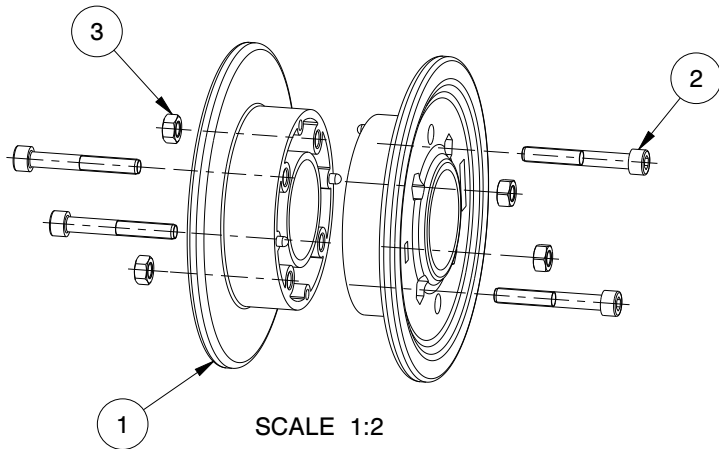
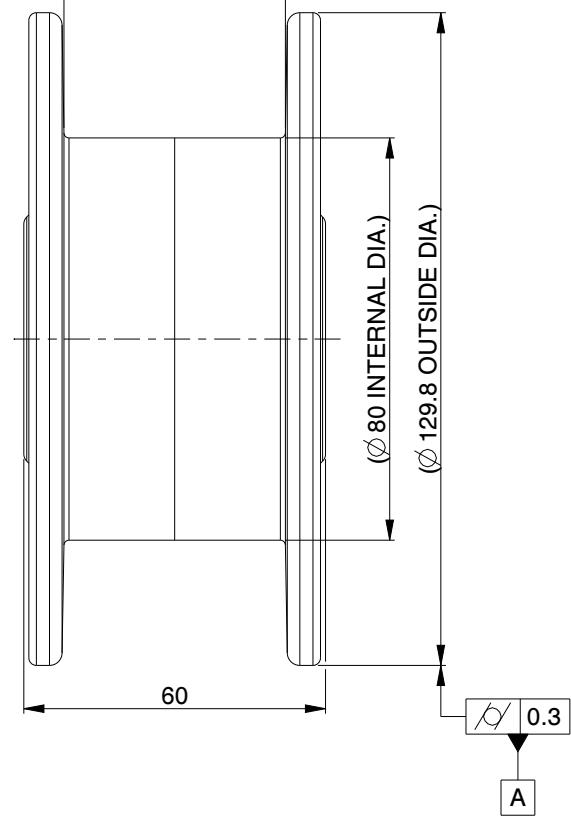
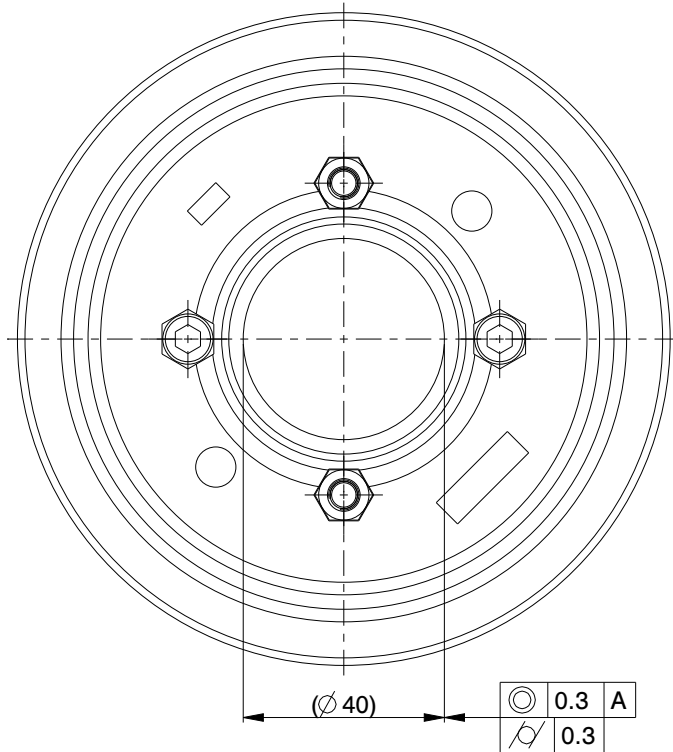
**Nameplate Specifications**

Output HP	3/4 Hp	Output KW	0.56 kW
Frequency	60 Hz	Voltage	208-230/460 V
Current	SF 3.4-3.4/1.7 A	Speed	3450/2850 rpm
Service Factor	1.5	Phase	3
Duty	Continuous	Insulation Class	B
Frame	L56J	Enclosure	Drip Proof
Thermal Protection	None	Ambient Temperature	40 °C
UL	Recognized	CSA	Y
CE	N		


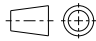
**Technical Specifications**

Electrical Type	Polyphase, Induction Type, Single Or Dual Voltage	Starting Method	Across The Line
Poles	2	Rotation	Reversible Clockwise
Mounting	Round	Drive End Bearing	Ball
Opp Drive End Bearing	Ball	Frame Material	Rolled Steel
Shaft Type	Threaded	Overall Length	11.85 in
Frame Length	6.25 in	Shaft Diameter	0.625 in
Shaft Extension	2.60 in		

This is an uncontrolled document once printed or downloaded and is subject to change without notice. Date Created:04/11/2019



POS.	CODE	DESCRIPTION	QTY	MATERIAL	COLOR
3	84088	NUT-M6X5-H10-GS	4	GALVANIZED STEEL	----
2	84288	BOLT-M6X45-S-H-ZN	4	ZINC PLATED STEEL	-
1	82048	SPLIT IDLER WHEEL Z21	2	---	---

EXPERIMENTAL CODE ---	<p>THE 2D DRAWING IS LEADING WITH RESPECT TO DIMENSIONS. FOR ALL DIMENSIONS NOT SPECIFICALLY MENTIONED REFER TO THE 3D MODEL.</p> <p>UNLESS INDIVIDUAL INDICATIONS, GENERAL TOLERANCES ACCORDING TO ISO 2768-MK.</p>	 <p>COPYRIGHT SOLUS INDUSTRIAL INNOVATIONS, LLC AND SYSTEM PLAST SRL ALL RIGHTS RESERVED. PROPRIETARY AND CONFIDENTIAL INFORMATION - THIS DOCUMENT IS THE PROPERTY OF SOLUS INDUSTRIAL INNOVATIONS, LLC AND SYSTEM PLAST SRL ("OWNERS") AND CONTAINS OWNER'S PROPRIETARY INFORMATION. ANY PERSON, CORPORATION OR OTHER FIRM RECEIVING IT IS DEEMED, BY RECEIVING IT, TO AGREE THAT IT AND/OR ANY PART OF IT, SHALL NOT BE DISCLOSED TO ANY PERSON, CORPORATION OR OTHER ENTITY, DUPLICATED, AND/OR USED, EXCEPT AS EXPRESSLY APPROVED IN WRITING IN ADVANCE BY OWNERS. THIS DOCUMENT SHALL BE RETURNED TO OWNERS UPON REQUEST. IT MAY BE SUBJECT TO CERTAIN RESTRICTIONS UNDER APPLICABLE EXPORT CONTROL LAWS AND REGULATIONS.</p>	DRAWN BY P. PATIL	ITEM DESCRIPTION 820-21R40M-W		
MATERIAL DESCRIPTION ---			DATE 20/10/2015	LONG DESCRIPTION SPROCKET		
MATERIAL CODE ---			NPI / ECN C00916	SCALE 1:1	TOOL NUMBER ---	SHEET 1 of 1
MATERIAL COLOR ---			 <p>DO NOT SCALE DRAWING</p>	PART NUMBER 12687		REV. A
WEIGHT 286.3 g						