

# PRODUCT INFORMATION PACKET



Model No: H280V1  
Catalog No: H280V1

0.5 HP General Purpose Motor, 3 phase, 1200 RPM, 200-230/460 V, 56 Frame, TENV  
Three Phase TENV Motors



Regal and Century are trademarks of Regal Beloit Corporation or one of its affiliated companies.  
©2019 Regal Beloit Corporation, All Rights Reserved. MC017097E





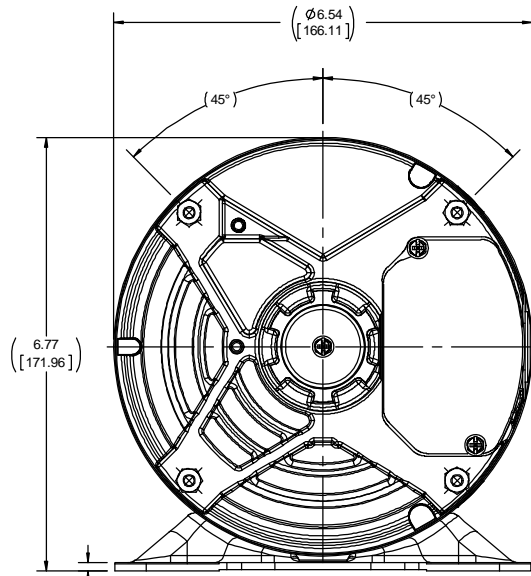
**Nameplate Specifications**

Output HP	<b>0.5 Hp</b>	Output KW	<b>0.37 kW</b>
Frequency	<b>60 Hz</b>	Voltage	<b>200-230/460 V</b>
Current	<b>2.1-2.0/1.0 A</b>	Speed	<b>1140 rpm</b>
Service Factor	<b>1.15</b>	Phase	<b>3</b>
Duty	<b>Continuous</b>	Insulation Class	<b>B</b>
Frame	<b>56</b>	Enclosure	<b>Totally Enclosed Non Ventilated</b>
Thermal Protection	<b>No</b>	Ambient Temperature	<b>40 °C</b>
UL	<b>Recognized</b>	CSA	<b>Y</b>
CE	<b>Y</b>		

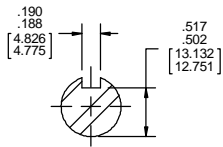
**Technical Specifications**

Electrical Type	<b>Three Phase</b>	Starting Method	<b>Across The Line</b>
Poles	<b>6</b>	Rotation	<b>Reversible</b>
Mounting	<b>Rigid Base</b>	Drive End Bearing	<b>Ball</b>
Opp Drive End Bearing	<b>Ball</b>	Frame Material	<b>Rolled Steel</b>
Shaft Type	<b>Keyed</b>	Overall Length	<b>12.60 in</b>
Frame Length	<b>7.75 in</b>	Shaft Diameter	<b>0.625 in</b>
Shaft Extension	<b>2.064 in</b>		

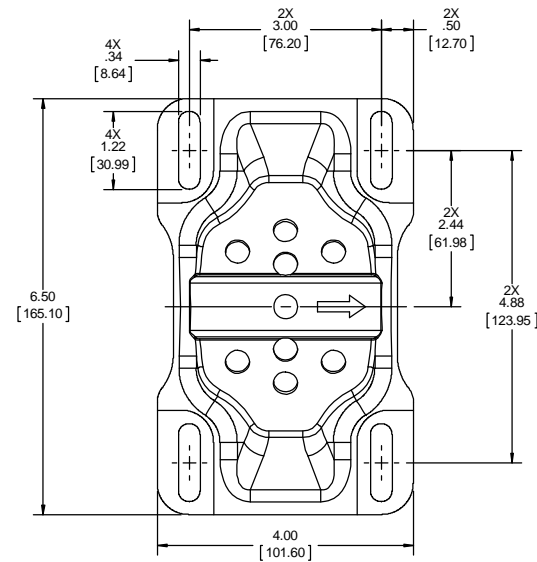
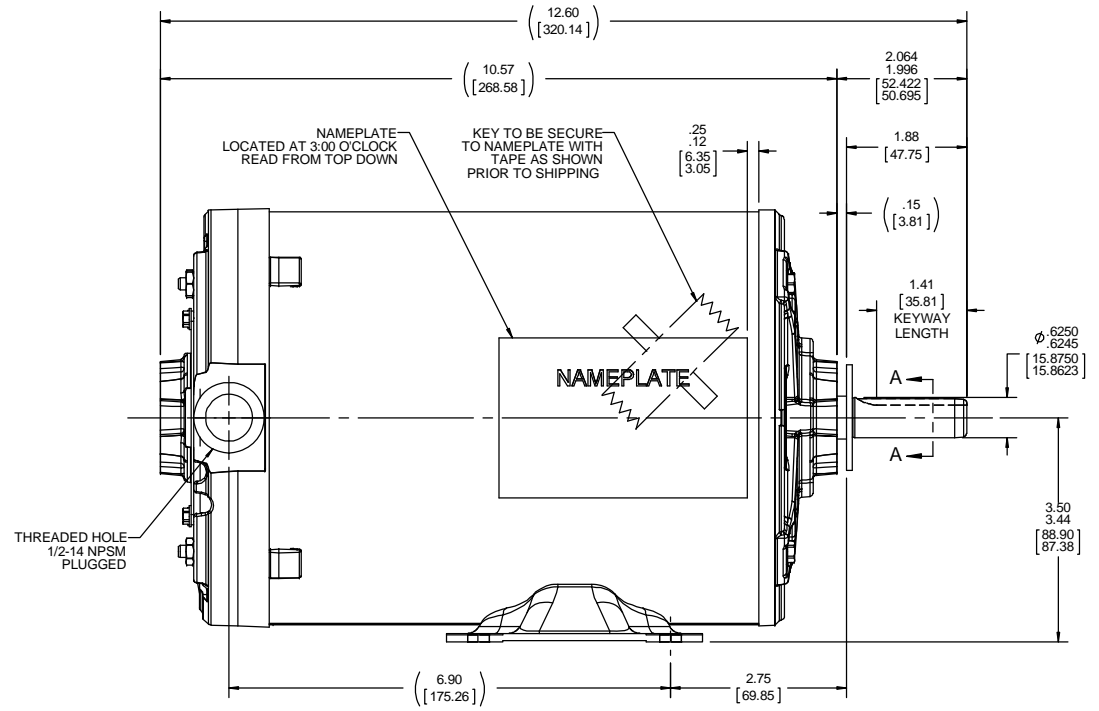
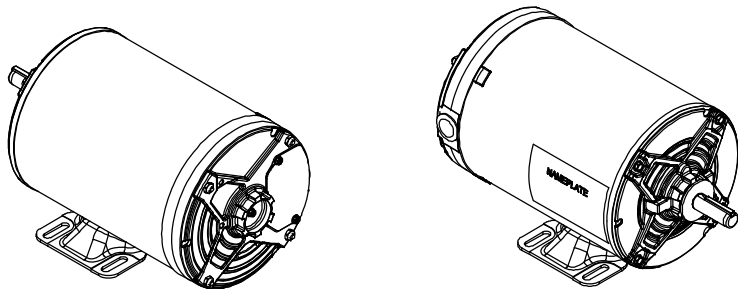
This is an uncontrolled document once printed or downloaded and is subject to change without notice. Date Created:30/10/2019



LEAD END VIEW



SECTION A-A



DRAWING REVISION A		REVISION BY	DATE	TOLERANCES UNLESS OTHERWISE SPECIFIED:		DRAWN BY D.VALENCIANO	Regal Beloit America, Inc.
ECO-0126163	APPROVED BY	DATE	DEC.	INCH	mm	DATE 07-03-2017	
ECO DESCRIPTION			.X	±0.1	[±2.5]	APPROVED BY M.RAMIREZ	DESCRIPTION <b>OUTLINE</b>
NEW MODEL			.XX	±0.02	[±0.51]	DATE 07-03-2017	MATERIAL 6FR,TENV,RIGID,3-PHASE
<small>COPYRIGHT REGAL BELOIT AMERICA, INC. ALL RIGHTS RESERVED.                  PROPRIETARY AND CONFIDENTIAL INFORMATION. THIS DOCUMENT IS THE PROPERTY OF REGAL BELOIT AMERICA, INC. FORMERLY AND CONTAINS OWNERS PROPRIETARY INFORMATION. ANY PERSON, CORPORATION OR OTHER FIRM RECEIVING IT IS DEEMED BY RECEIVING IT, TO AGREE THAT IT, AND/OR ANY PART OF IT, SHALL NOT BE DISCLOSED TO ANY PERSON, CORPORATION OR OTHER ENTITY, DUPLICATED, AND/OR USED, EXCEPT AS EXPRESSLY APPROVED IN WRITING IN ADVANCE BY OWNER. THIS DOCUMENT SHALL BE RETURNED TO OWNER UPON REQUEST. IT MAY BE SUBJECT TO CERTAIN RESTRICTIONS UNDER APPLICABLE EXPORT CONTROL LAWS AND REGULATIONS.</small>			.XXX	±0.005	[±0.127]	REFERENCE	PROCESS/FINISH
			.XXXX	±0.0005	[±0.0127]	SIZE C	DRAWING NUMBER OL56100262-001
			MACHINED SURFACES: .125 / 32 INCH / mm SHOWN IN [BRACKETS]		THIRD ANGLE PROJECTION	SHEET 1 OF 1	