

PRODUCT INFORMATION PACKET



Model No: H262V2
Catalog No: H262V2
1/3 HP Fan and Blower HVAC/R Motor, 3 phase, 1800 RPM, 200-230/460 V, 56 Frame, ODP
Self Cooled Motors



Regal and Century are trademarks of Regal Beloit Corporation or one of its affiliated companies.
©2019 Regal Beloit Corporation, All Rights Reserved. MC017097E





Nameplate Specifications

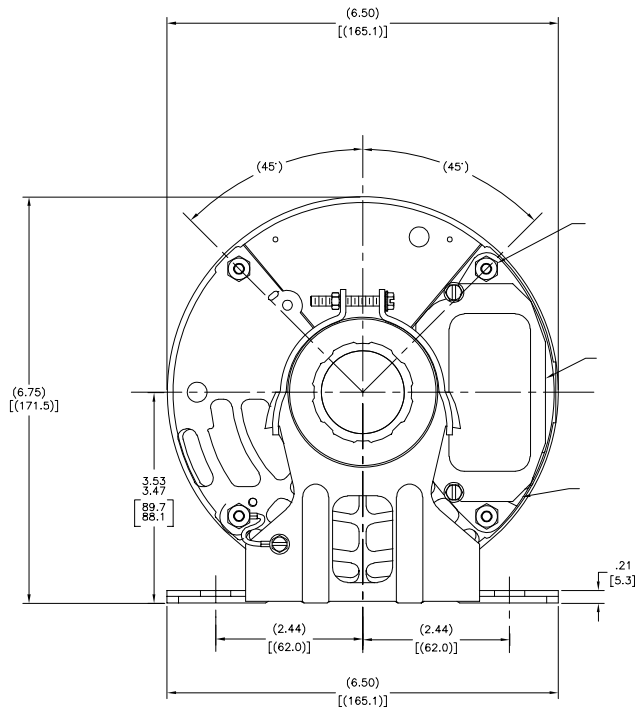
Output HP	1/3 Hp	Output KW	0.25 kW
Frequency	60 Hz	Voltage	200-230/460 V
Current	1.4-1.6/.8 A	Speed	1725 rpm
Service Factor	1.35	Phase	3
Duty	Continuous	Insulation Class	B
Frame	J56	Enclosure	Open Drip Proof
Thermal Protection	None	Ambient Temperature	40 °C
UL	Recognized	CSA	Y
CE	N		

Technical Specifications

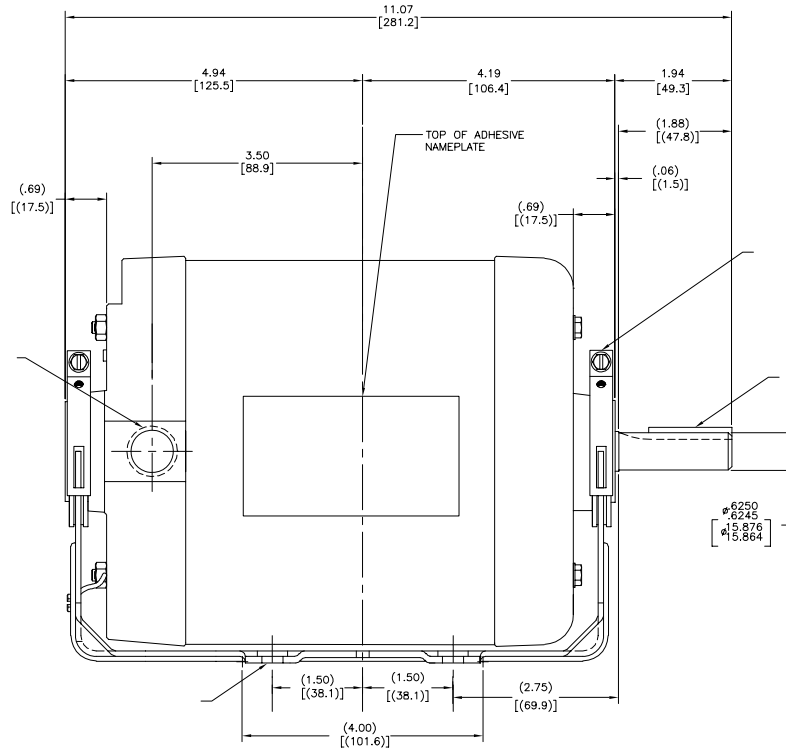
Electrical Type	Polyphase, Induction Type, Single Or Dual Voltage	Starting Method	Across The Line
Poles	4	Rotation	Reversible Counterclockwise
Mounting	Cushion Base	Drive End Bearing	Ball
Opp Drive End Bearing	Ball	Frame Material	Rolled Steel
Shaft Type	Keyed	Overall Length	11.07 in
Frame Length	5.25 in	Shaft Diameter	0.625 in
Shaft Extension	1.94 in		

This is an uncontrolled document once printed or downloaded and is subject to change without notice. Date Created:04/11/2019

REVISION: B	ECO	0025408	REVISADO POR: F.NAVARRO	FECHA: 04-17-2012	APROBADO POR: R.RASCON	FECHA: 04-17-2012
-------------	-----	---------	-------------------------	-------------------	------------------------	-------------------

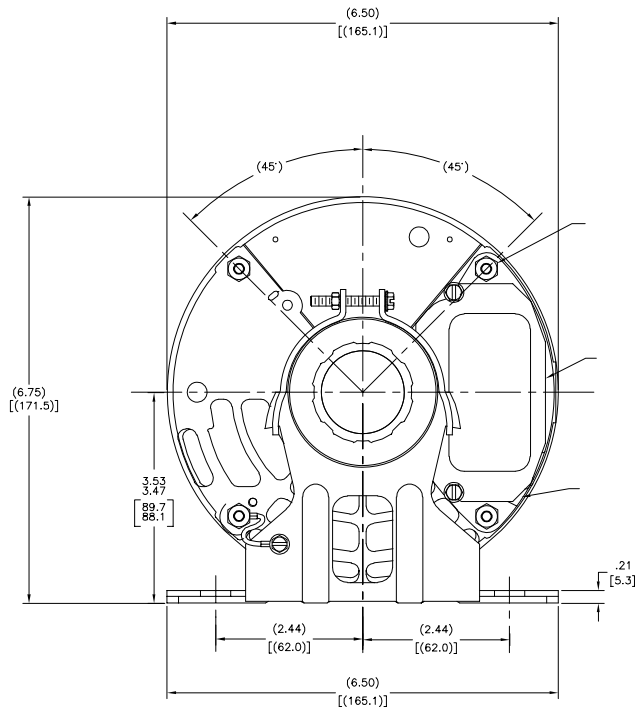


- = +/- .055 [1.40]
- = +/- .034 [86]
- = +/- 1.00 [25.4]
- = +/- .050 [1.27]
- = +/- 2'

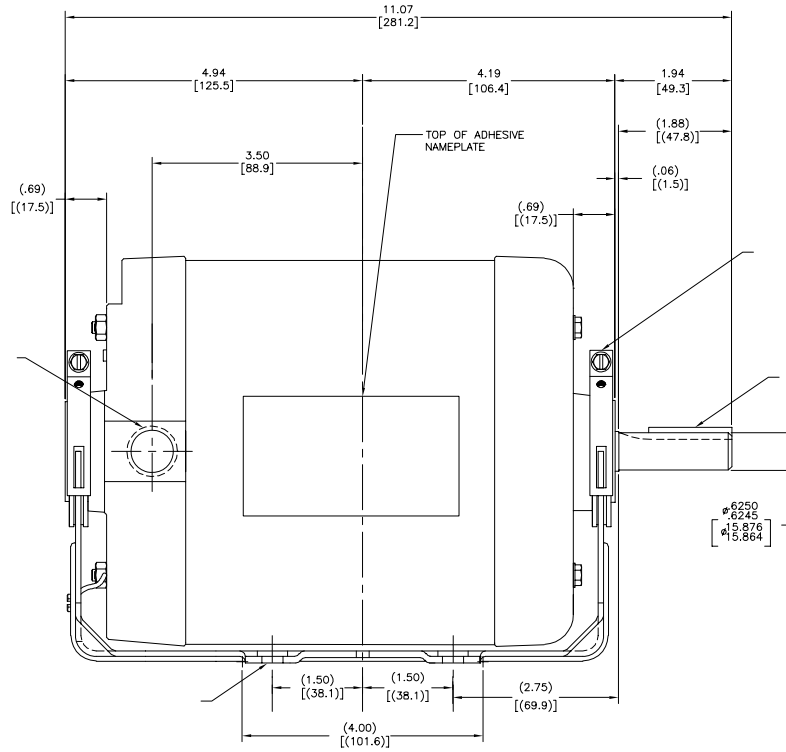


CARACTERÍSTICAS DE GEOMETRÍA Y SIMBOLOS □ PLANICIDAD — RECTITUD ∠ ANGULARIDAD ⊥ PERPENDICULARIDAD (A ESQUADRA) // PARALELISMO ○ REDONDEZ (CIRCULARIDAD) ∅ CILINDRICIDAD ≡ PERFIL DE CUALQUIER SUPERFICIE ~ PERFIL DE CUALQUIER LINEA / MARCACION ◆ POSICION REAL ⊕ CONCENRICIDAD = SIMETRÍA	A MENOS QUE SE ESPECIFIQUE DE OTRA MANERA, LAS TOLERANCIAS DE LAS DIMS, SON LAS SIGUIENTES: PULG ±.1 ±.02 ±.005 ±.0005 mm ±0.5 ±0.13 ±0.013 ANG ±.50 GRADOS ELIMINAR REBASAS Y ORILLAS FILOSAS DEL BORDO PULG .003-.015 mm 0.1-0.4 FILETAR ESQUINA: PULG .020 mm 0.5 MAQUINAR SUPERFICIES PULG 12/32 mm 3/32	DIBUJADO POR: 08-28-2010 APROBADO POR: WS 08-28-2010	DESCRIPCION: OUTLINE TAMANO: D NUMERO DE DIBUJO: H262V2 ESCALA: NONE HOJA: 1
		TERCIER ANGULO DE PROYECCION: FECHA EDS: 11-11-2011 REV. FORMATO: G	

版本	ECO	编制	日期	批准	日期
B	0025408	F.NAVARRO	04-17-2012	R.RASCON	04-17-2012



- = +/- .055 [1.40]
- = +/- .034 [86]
- = +/- 1.00 [25.4]
- = +/- .050 [1.27]
- = +/- 2'



形位公差 D 平面度 — 直线度 / 倾斜度 L 垂直度 // 平行度 O 圆度 / 圆柱度 / 圆锥度 / 位置度 / 跳动 / 对称度	形位公差 大小公差带: 英寸 ± .001 ± .002 ± .005 ± .0005 毫米 ±0.5 ±0.13 ±0.013 内圆度 英寸 .002-.015 毫米 0.1-0.4 圆度 英寸 .020 毫米 0.5 表面粗糙度 英国 12.5 美国 3.2 未标注尺寸显示在 []	视图	PZ	08-28-2010			
		比例	WS	08-28-2010		名称	OUTLINE
ASME Y14.5M 1994		第三角投影		图号 11-11-2011 图号 G	图号	H262V2	
		批准: 本图及其相关信息所有权利REGAL-BELOIT CORPORATION 未经REGAL-BELOIT CORPORATION书面授权, 不得泄露、 复制、传播或作其他用途。—版权所有		比例	D	图号	H262V2
				比例	NONE	图号	1