

# PRODUCT INFORMATION PACKET



Model No: H262LES  
Catalog No: H262LES  
1/3 HP General Purpose Motor, 3 phase, 1800 RPM, 230/460 V, 56 Frame, ODP  
Three Phase ODP Motors



Regal and Century are trademarks of Regal Beloit Corporation or one of its affiliated companies.  
©2019 Regal Beloit Corporation, All Rights Reserved. MC017097E





**Nameplate Specifications**

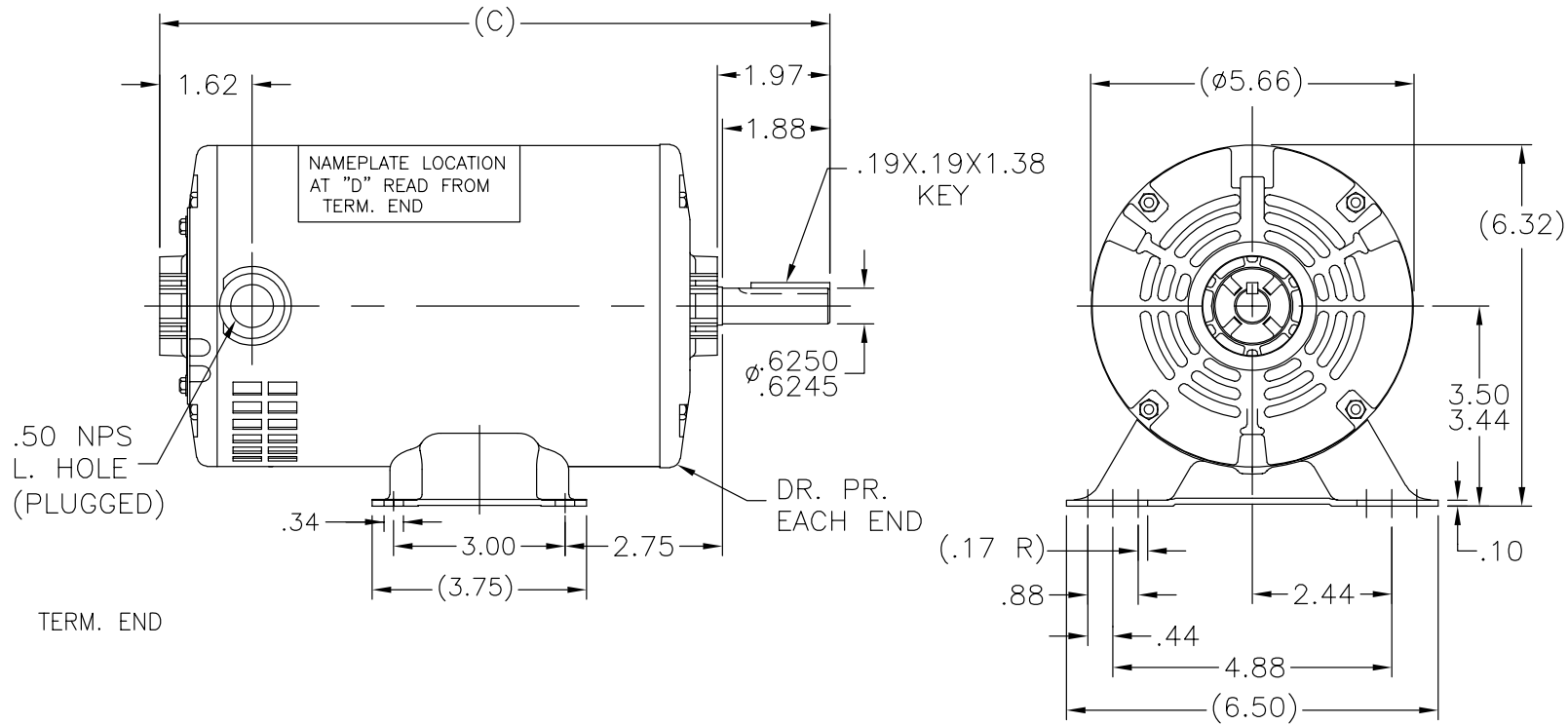
Output HP	<b>1/3 Hp</b>	Output KW	<b>0.25 kW</b>
Frequency	<b>60 Hz</b>	Voltage	<b>230/460 V</b>
Current	<b>1.2/6 A</b>	Speed	<b>1725 rpm</b>
Service Factor	<b>1.35</b>	Phase	<b>3</b>
Duty	<b>Continuous</b>	Insulation Class	<b>B</b>
Frame	<b>56</b>	Enclosure	<b>Drip Proof</b>
Thermal Protection	<b>None</b>	Ambient Temperature	<b>40 °C</b>
UL	<b>Recognized</b>	CSA	<b>Y</b>
CE	<b>Y</b>		

**Technical Specifications**

Electrical Type	<b>Three Phase</b>	Starting Method	<b>Across The Line</b>
Poles	<b>4</b>	Rotation	<b>Reversible</b>
Mounting	<b>Rigid Base</b>	Drive End Bearing	<b>Ball</b>
Opp Drive End Bearing	<b>Ball</b>	Frame Material	<b>Rolled Steel</b>
Shaft Type	<b>Keyed</b>	Overall Length	<b>11.22 in</b>
Frame Length	<b>7.38 in</b>	Shaft Diameter	<b>0.625 in</b>
Shaft Extension	<b>1.97 in</b>		

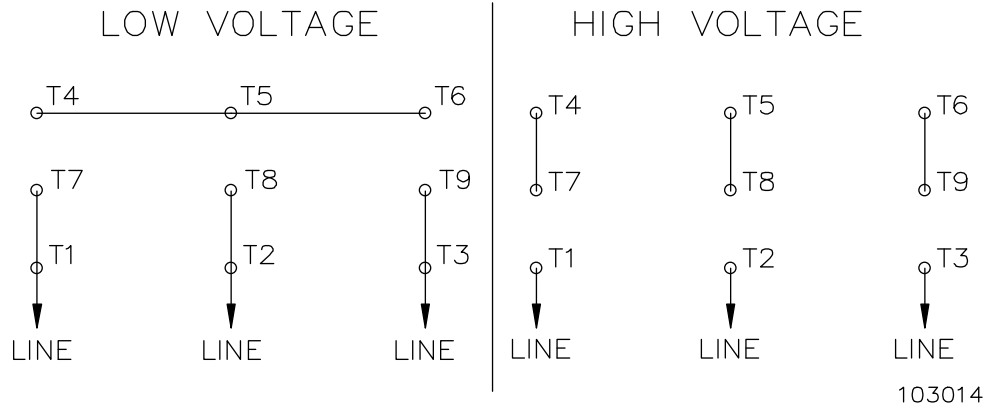
This is an uncontrolled document once printed or downloaded and is subject to change without notice. Date Created:30/10/2019

SS404127



DASH	C	DASH	C	DASH	C
600	9.97	700	10.97	775	11.72
625	10.22	725	11.22	800	11.97
650	10.47	750	11.47	875	12.72

NO.	REVISION	BY & DATE	TOLERANCES UNLESS SPECIFIED		REGAL™ Regal Beloit America, Inc.	DRAWN PST 12/19/2014		
			DEC.	INCHES		CHK	AP 12/19/2014	
			.X	±.1	TITLE OUTLINE 56 FR. - DP.	APPD		
			.XX	±.03		SCALE	3=8	
			.XXX	±.005		REF		
			.XXXX	±.0005		MAT'L.	FMF	
			ANG	±7'30"		FINISH	PREV	
THIS DRAWING IN DESIGN AND DETAIL IS OUR PROPERTY AND MUST NOT BE USED EXCEPT IN CONNECTION WITH OUR WORK ALL RIGHTS OF DESIGN AND INVENTION ARE RESERVED THIS IS AN ELECTRONICALLY GENERATED DOCUMENT - DO NOT SCALE THIS PRINT			RFP	CAD FILE SS404127	SIZE	DRAWING NO.	PAGE OF	REV.
			DIST	WP	A	SS404127		



TO REVERSE ROTATION, INTERCHANGE ANY TWO LINE LEADS

PLATE: 41365

SLOT: 22

		TOLERANCES UNLESS SPECIFIED				DRAWN TOM 08-14-1989		
		DEC.	INCHES			CHK	ML 08-14-1989	
			.X	±.1		APPD	GK 08-14-1989	
4	ADDED REVERSAL NOTE	SVL 10-14-2013	.XX	±.02	TITLE CONNECTION DIGRAM	SCALE	1=1	
3	REDRAWN IN AUTOCAD	TAT 09-16-2004	ML .XXX	±.005		REF		
2	REDRAWN - NEW FORMAT	TOM 08-14-1989	.XXXX	±.0005	MAT'L.	FMF		
NO.	REVISION	BY & DATE	CHK	ANG	±7'30"	FINISH	PREV	
THIS DRAWING IN DESIGN AND DETAIL IS OUR PROPERTY AND MUST NOT BE USED EXCEPT IN CONNECTION WITH OUR WORK ALL RIGHTS OF DESIGN AND INVENTION ARE RESERVED THIS IS AN ELECTRONICALLY GENERATED DOCUMENT - DO NOT SCALE THIS PRINT			RFP	CAD FILE 103014		SIZE	DRAWING NO. PAGE OF	REV.
			DIST	WP		A	103014	4