

PRODUCT INFORMATION PACKET



Model No: H204ES
Catalog No: H204ES
1/4 HP General Purpose Motor, 3 phase, 1200 RPM, 230/460 V, 56 Frame, ODP
Three Phase ODP Motors



Regal and Century are trademarks of Regal Beloit Corporation or one of its affiliated companies.
©2019 Regal Beloit Corporation, All Rights Reserved. MC017097E





Nameplate Specifications

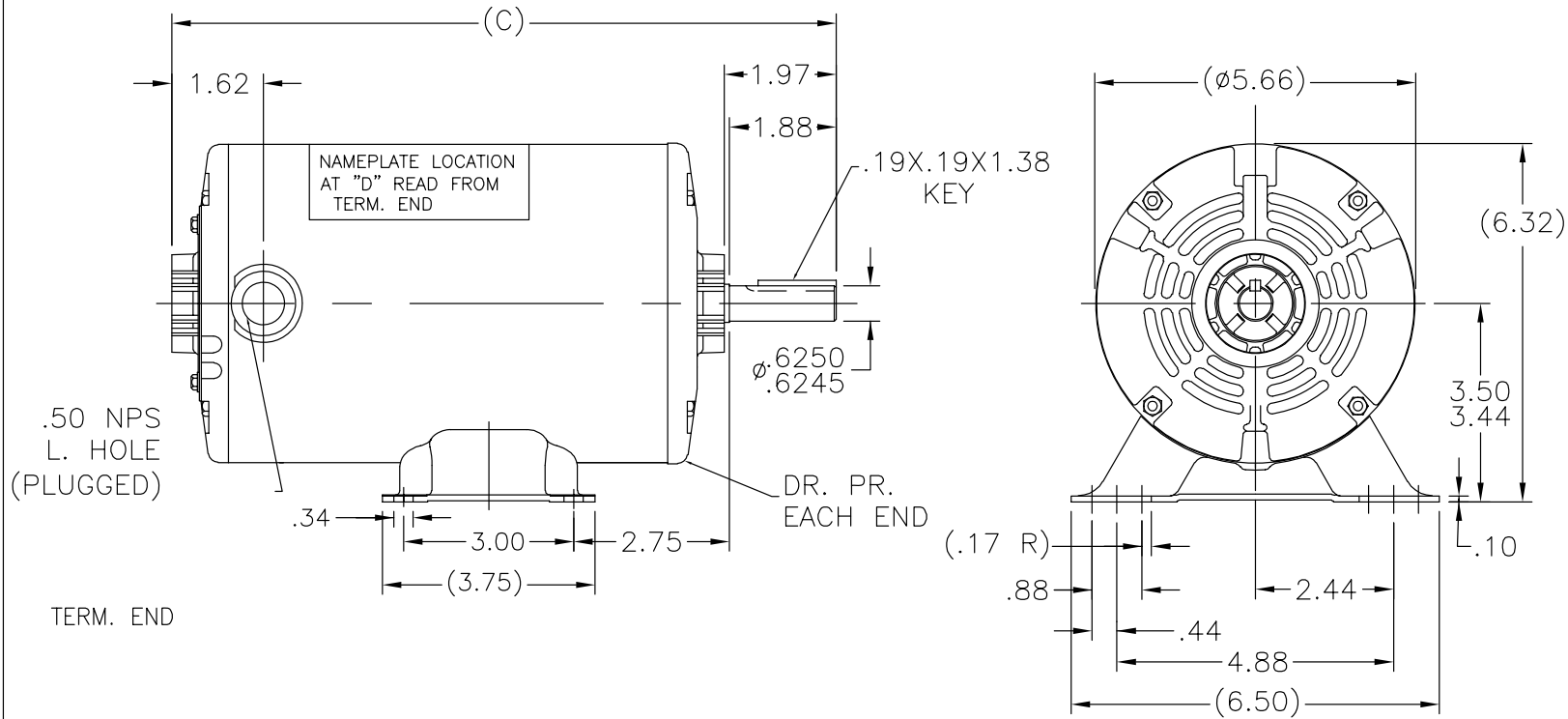
Output HP	1/4 Hp	Output KW	0.19 kW
Frequency	60 Hz	Voltage	230/460 V
Current	1.2/6 A	Speed	1140 rpm
Service Factor	1.35	Phase	3
Duty	Continuous	Insulation Class	B
Frame	56	Enclosure	Drip Proof
Thermal Protection	None	Ambient Temperature	40 °C
UL	Recognized	CSA	Y
CE	Y		

Technical Specifications

Electrical Type	Three Phase	Starting Method	Across The Line
Poles	6	Rotation	Reversible
Mounting	Rigid base	Drive End Bearing	Ball
Opp Drive End Bearing	Ball	Frame Material	Rolled Steel
Shaft Type	Keyed	Overall Length	11.22 in
Frame Length	7.38 in	Shaft Diameter	0.625 in
Shaft Extension	1.97 in		

This is an uncontrolled document once printed or downloaded and is subject to change without notice. Date Created:30/10/2019

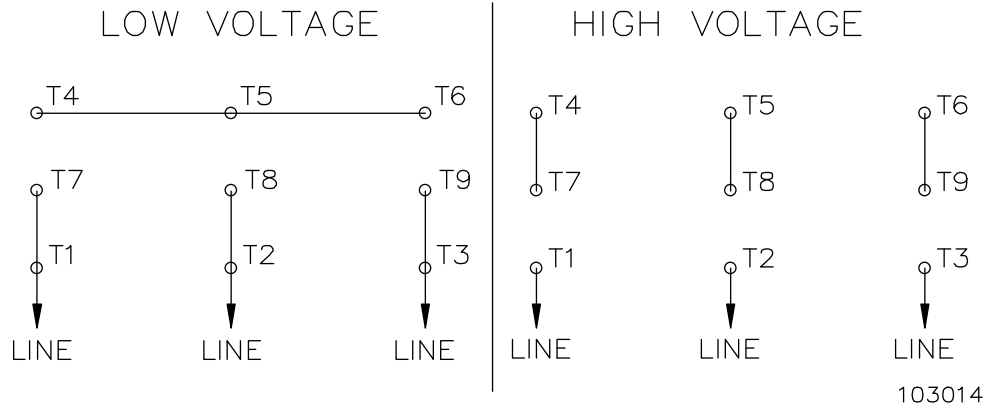
SS404139



DASH	C	DASH	C	DASH	C
600	9.97	700	10.97	775	11.72
625	10.22	725	11.22	800	11.97
650	10.47	750	11.47	875	12.72

NO.	REVISION	BY & DATE	TOLERANCES UNLESS SPECIFIED		REGAL™ Regal Beloit America, Inc.	DRAWN	PVR	01/02/15	
			DEC.	INCHES		CHK	SM	01/02/15	
			.X	±.1	TITLE OUTLINE 56 FR. - DP.	APPD			
			.XX	±.03		SCALE	3=8		
			.XXX	±.005		REF			
			.XXXX	±.0005		MAT'L.	FMF		
			ANG	±7'30"	FINISH	PREV			
			RFP		CAD FILE SS404139	SIZE	DRAWING NO.	PAGE OF	REV.
			DIST	WP		A	SS404139		

THIS DRAWING IN DESIGN AND DETAIL IS OUR PROPERTY AND MUST NOT BE USED EXCEPT IN CONNECTION WITH OUR WORK ALL RIGHTS OF DESIGN AND INVENTION ARE RESERVED
THIS IS AN ELECTRONICALLY GENERATED DOCUMENT - DO NOT SCALE THIS PRINT



TO REVERSE ROTATION, INTERCHANGE ANY TWO LINE LEADS

PLATE: 41365

SLOT: 22

		TOLERANCES UNLESS SPECIFIED				DRAWN TOM 08-14-1989	
		DEC.	INCHES			CHK	ML 08-14-1989
			.X	±.1		APPD	GK 08-14-1989
4	ADDED REVERSAL NOTE	SVL 10-14-2013	.XX	±.02	TITLE CONNECTION DIGRAM	SCALE	1=1
3	REDRAWN IN AUTOCAD	TAT 09-16-2004	ML .XXX	±.005		REF	
2	REDRAWN - NEW FORMAT	TOM 08-14-1989	.XXXX	±.0005	MAT'L.	FMF	
NO.	REVISION	BY & DATE	CHK	ANG	±7'30"	FINISH	PREV
THIS DRAWING IN DESIGN AND DETAIL IS OUR PROPERTY AND MUST NOT BE USED EXCEPT IN CONNECTION WITH OUR WORK ALL RIGHTS OF DESIGN AND INVENTION ARE RESERVED THIS IS AN ELECTRONICALLY GENERATED DOCUMENT - DO NOT SCALE THIS PRINT			RFP	CAD FILE 103014		SIZE	DRAWING NO. PAGE OF REV.
			DIST	WP		A	103014 4