

PRODUCT INFORMATION PACKET



Model No: H181LES
Catalog No: H181LES
2.0 HP General Purpose Motor, 3 phase, 1800 RPM, 230/460 V, 56 Frame, ODP
Three Phase ODP Motors



Regal and Century are trademarks of Regal Beloit Corporation or one of its affiliated companies.
©2019 Regal Beloit Corporation, All Rights Reserved. MC017097E

The REGAL logo is a grey, trapezoidal shape with the word 'REGAL' in white, bold, uppercase letters inside. It is positioned on a blue and black halftone background that runs vertically down the right side of the page.

REGAL



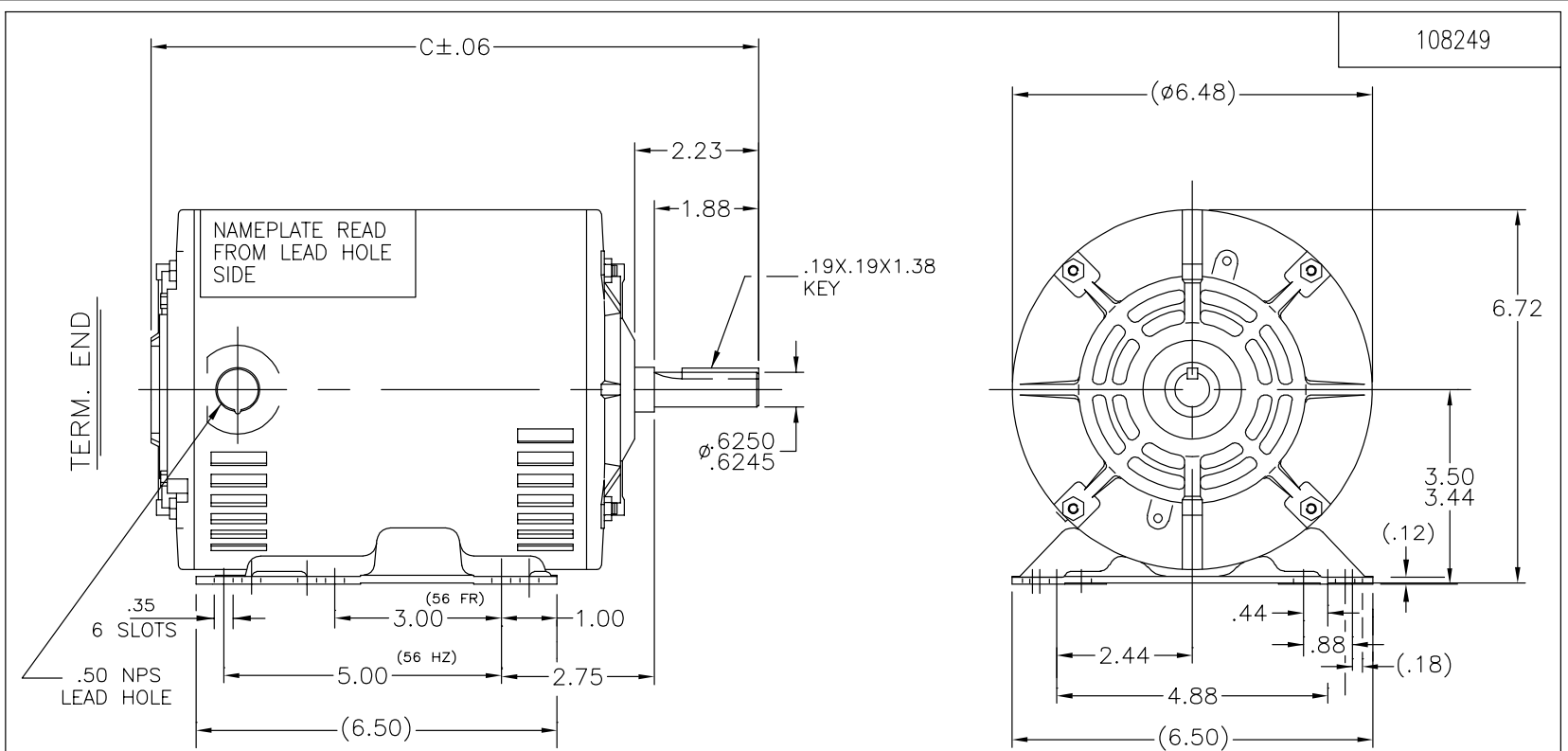
Nameplate Specifications

Output HP	2.0 Hp	Output KW	1.5 kW
Frequency	60 Hz	Voltage	230/460 V
Current	6.0/3.0 A	Speed	1725 rpm
Service Factor	1.15	Phase	3
Duty	Continuous	Insulation Class	B
Frame	56	Enclosure	Drip Proof
Thermal Protection	None	Ambient Temperature	40 °C
UL	Recognized	CSA	Y
CE	Y		


Technical Specifications

Electrical Type	Three Phase	Starting Method	Across The Line
Poles	4	Rotation	Reversible
Mounting	Rigid base	Drive End Bearing	Ball
Opp Drive End Bearing	Ball	Frame Material	Rolled Steel
Shaft Type	Keyed	Overall Length	13.44 in
Frame Length	9.65 in	Shaft Diameter	0.625 in
Shaft Extension	2.23 in		

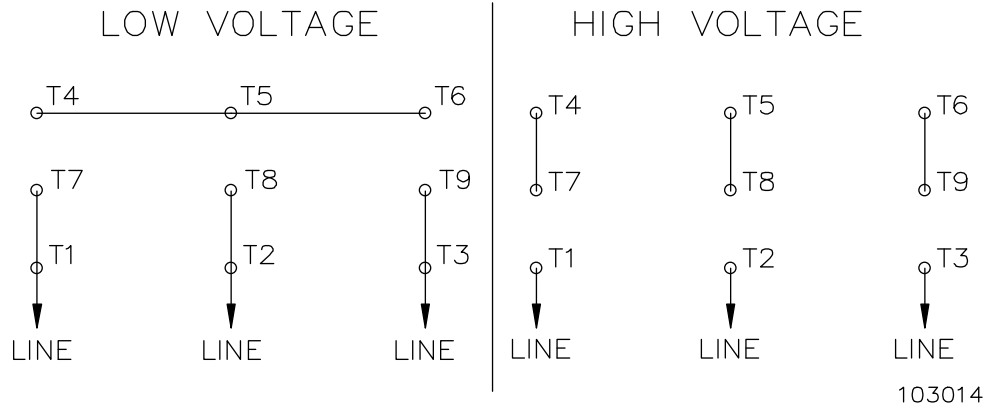
This is an uncontrolled document once printed or downloaded and is subject to change without notice. Date Created:30/10/2019



DASH	C	DASH	C
656	10.44	856	12.44
706	10.94	906	12.94
756	11.44	956	13.44
806	11.94		

NO.	REVISION	BY & DATE	TOLERANCES UNLESS SPECIFIED		FINISH	DRAWN PST 12/17/2014			
			DEC.	INCHES					
			.X	±.1	 Regal Beloit America, Inc.	CHK AP 12/17/2014			
			.XX	±.03		TITLE OUTLINE	APPD		
			.XXX	±.005	56 FR. - DR. PP. - BB - 3ø - 56H	SCALE 3=8			
			.XXXX	±.0005	MAT'L.	REF			
			ANG	±7'30"		FMF			
			CHK			PREV			
			RFP		CAD FILE 108249	SIZE A	DRAWING NO. 108249	PAGE OF	REV.
			DIST	WP					

THIS DRAWING IN DESIGN AND DETAIL IS OUR PROPERTY AND MUST NOT BE USED EXCEPT IN CONNECTION WITH OUR WORK ALL RIGHTS OF DESIGN AND INVENTION ARE RESERVED THIS IS AN ELECTRONICALLY GENERATED DOCUMENT - DO NOT SCALE THIS PRINT



TO REVERSE ROTATION, INTERCHANGE ANY TWO LINE LEADS

PLATE: 41365

SLOT: 22

		TOLERANCES UNLESS SPECIFIED				DRAWN TOM 08-14-1989		
		DEC.	INCHES			CHK	ML 08-14-1989	
			.X	±.1		APPD	GK 08-14-1989	
4	ADDED REVERSAL NOTE	SVL 10-14-2013	.XX	±.02	TITLE CONNECTION DIGRAM	SCALE	1=1	
3	REDRAWN IN AUTOCAD	TAT 09-16-2004	ML .XXX	±.005		REF		
2	REDRAWN - NEW FORMAT	TOM 08-14-1989	.XXXX	±.0005	MAT'L.	FMF		
NO.	REVISION	BY & DATE	CHK	ANG	±7'30"	FINISH	PREV	
THIS DRAWING IN DESIGN AND DETAIL IS OUR PROPERTY AND MUST NOT BE USED EXCEPT IN CONNECTION WITH OUR WORK ALL RIGHTS OF DESIGN AND INVENTION ARE RESERVED THIS IS AN ELECTRONICALLY GENERATED DOCUMENT - DO NOT SCALE THIS PRINT			RFP	CAD FILE 103014		SIZE	DRAWING NO. PAGE OF	REV.
			DIST	WP		A	103014	4