

# PRODUCT INFORMATION PACKET



Model No: H158LES  
Catalog No: H158LES  
1/3 HP General Purpose Motor, 3 phase, 1800 RPM, 230/460 V, 56C Frame, ODP  
Three Phase ODP Motors



Regal and Century are trademarks of Regal Beloit Corporation or one of its affiliated companies.  
©2019 Regal Beloit Corporation, All Rights Reserved. MC017097E

The REGAL logo is a grey rectangular box with the word 'REGAL' in white, bold, uppercase letters. It is positioned on a blue and black halftone background that runs vertically down the right side of the page.

REGAL



**Nameplate Specifications**

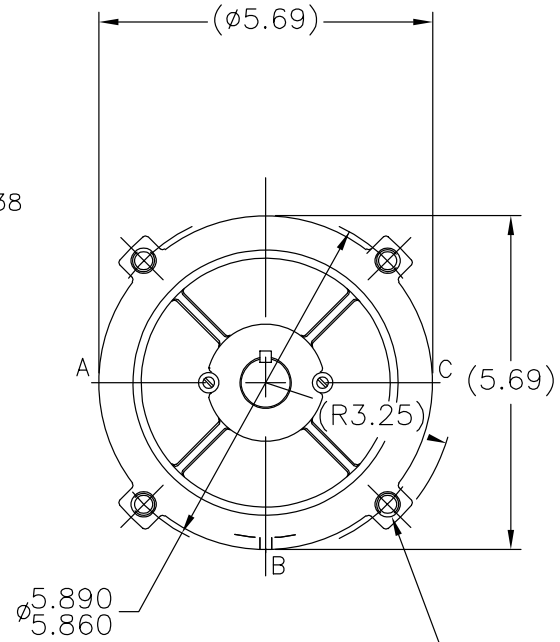
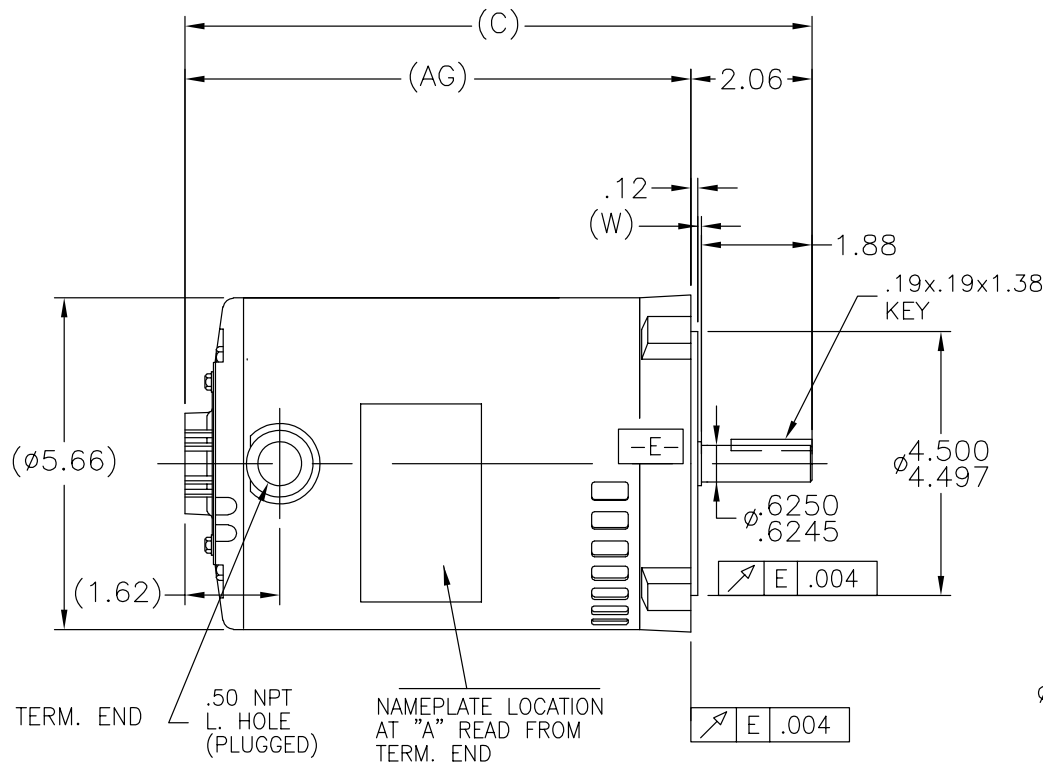
Output HP	1/3 Hp	Output KW	0.25 kW
Frequency	60 Hz	Voltage	230/460 V
Current	1.2/6 A	Speed	1725 rpm
Service Factor	1.35	Phase	3
Duty	Continuous	Insulation Class	B
Frame	56C	Enclosure	Drip Proof
Thermal Protection	None	Ambient Temperature	40 °C
UL	Recognized	CSA	N
CE	Y		

**Technical Specifications**

Electrical Type	Three Phase	Starting Method	Across The Line
Poles	4	Rotation	Reversible
Mounting	Round	Drive End Bearing	Ball
Opp Drive End Bearing	Ball	Frame Material	Rolled Steel
Shaft Type	Keyed	Overall Length	11.44 in
Frame Length	7.62 in	Shaft Diameter	0.625 in
Shaft Extension	2.06 in		

This is an uncontrolled document once printed or downloaded and is subject to change without notice. Date Created:30/10/2019

SS404135



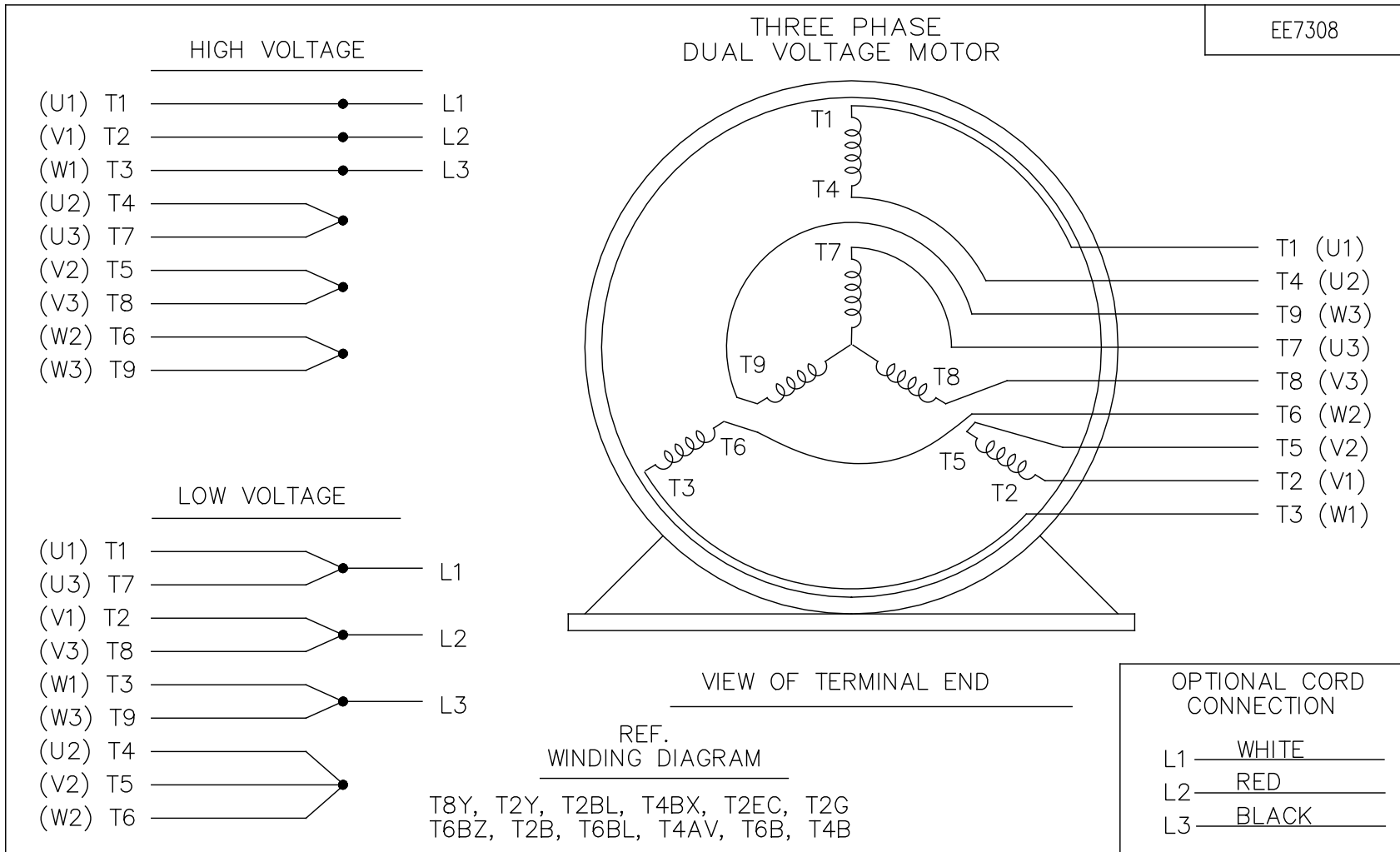
3/8-16 UNC-2B  
.56 MIN. FULL THD.  
4 HOLES

'W' = CLEARANCE ALLOWED FOR ALL VARIANCES  
IN MANUFACTURING & ASSEMBLY

DASH	C	AG		DASH	C	AG	
625	10.19	8.13		725	11.19	9.13	
650	10.44	8.38		750	11.44	9.38	
675	10.69	8.63		775	11.69	9.63	
700	10.94	8.88		800	11.94	9.88	

NO.	REVISION	BY & DATE	TOLERANCES UNLESS SPECIFIED		CHK	ANG	±7'30"	FINISH	DRAWN PVR 12/24/14
			DEC.	INCHES					
			.X	±.1					CHK SM 12/24/14
			.XX	±.03				TITLE OUTLINE	APPD
			.XXX	±.005					SCALE 3=8
			.XXXX	±.0005				MAT'L.	REF SS404112
									FMF
									PREV
			RFP				CAD FILE	SS404135	SIZE A
			DIST	WP					DRAWING NO. PAGE 1 OF 1 REV. SS404135

**REGAL**™ Regal Beloit America, Inc.



NO.		REVISION		BY & DATE		TOLERANCES UNLESS SPECIFIED		DRAWN RM 11/20/1990			
						CHK	ANG		DEC.	INCHES	
5	CHG TO REGAL LOGO	SL	09/10/2015	AB				CHK ML 11/21/1990			
4	REVISED IEC NOTATIONS	MSG	11/15/2011	CMN	.X	±.1		APPD SAS 04/24/2003			
3	ADDED IEC NOTATIONS... (U1), (V1) ETC. MU95194	MSG	5/10/2010	MJS	.XX	±.02		SCALE 1=1			
2	ADDED THE OPTIONAL CORD CONNECTION MU46318	RDH	04/24/2003	DRS	.XXX	±.005		REF			
1	REDRAWN	RM	11/20/1990		.XXXX	±.0005		FMF			
						±7'30"		PREV			
THIS DRAWING IN DESIGN AND DETAIL IS OUR PROPERTY AND MUST NOT BE USED EXCEPT IN CONNECTION WITH OUR WORK ALL RIGHTS OF DESIGN AND INVENTION ARE RESERVED THIS IS AN ELECTRONICALLY GENERATED DOCUMENT - DO NOT SCALE THIS PRINT						RFP	CAD FILE ee7308	SIZE A	DRAWING NO. EE7308	PAGE OF 5	REV. 5
						DIST	WP				