

# PRODUCT INFORMATION PACKET



Model No: H1053RBV1  
Catalog No: H1053RBV1

1 HP Condenser Fans HVAC/R Motor, 3 phase, 900 RPM, 208-230/460 V, 56HZ Frame, OPAO  
Condenser Fans Motors



Regal and Century are trademarks of Regal Beloit Corporation or one of its affiliated companies.  
©2019 Regal Beloit Corporation, All Rights Reserved. MC017097E

REGAL



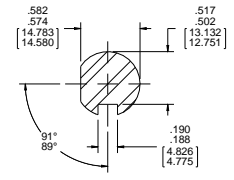
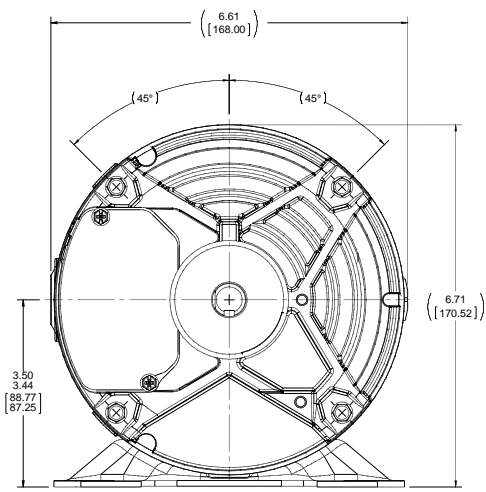
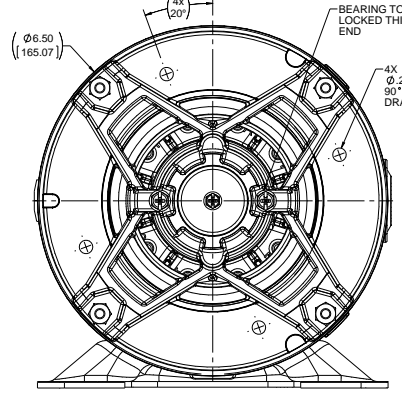
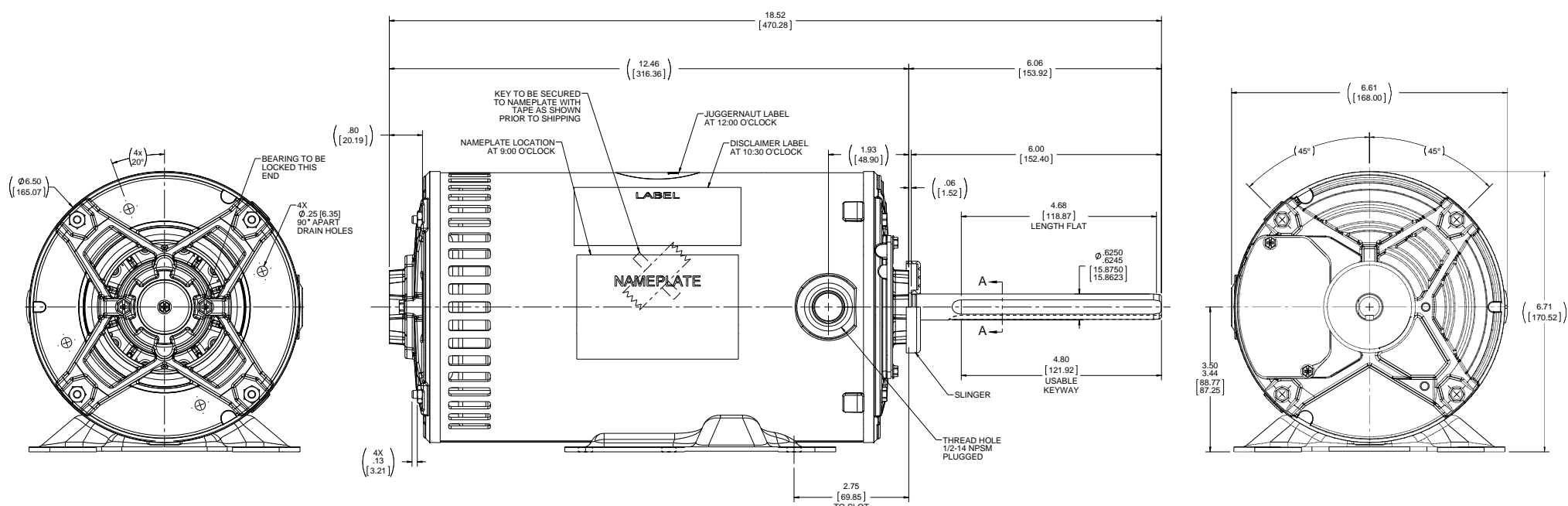
**Nameplate Specifications**

|                    |                                  |                     |                                  |
|--------------------|----------------------------------|---------------------|----------------------------------|
| Output HP          | <b>1&amp;0.75 Hp</b>             | Output KW           | <b>0.75 kW</b>                   |
| Frequency          | <b>60 Hz</b>                     | Voltage             | <b>208-230/460&amp;190/380 V</b> |
| Current            | <b>5.1-5.4/2.7&amp;5.2/2.6 A</b> | Speed               | <b>850&amp;715 rpm</b>           |
| Service Factor     | <b>1</b>                         | Phase               | <b>3</b>                         |
| Duty               | <b>Continuous</b>                | Insulation Class    | <b>F</b>                         |
| Frame              | <b>56HZ</b>                      | Enclosure           | <b>Open Air Over</b>             |
| Thermal Protection | <b>Thermally Protected</b>       | Ambient Temperature | <b>70 °C</b>                     |
| UL                 | <b>Recognized</b>                | CSA                 | <b>Y</b>                         |
| CE                 | <b>N</b>                         |                     |                                  |

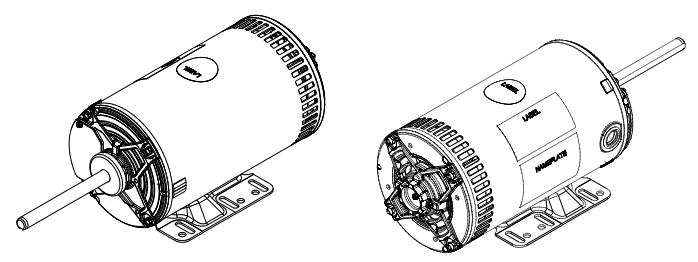
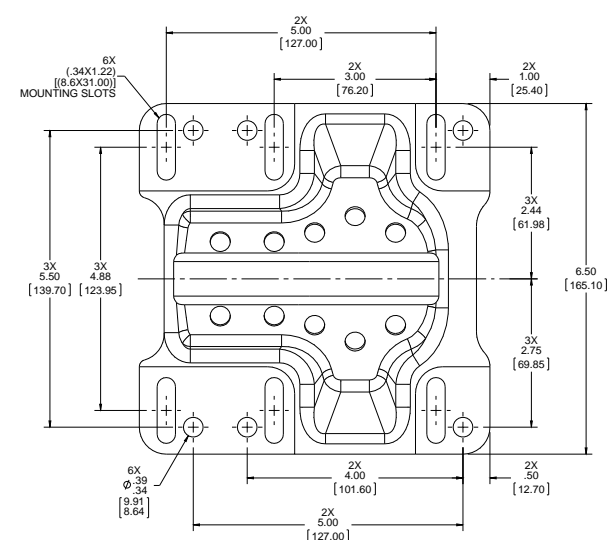
**Technical Specifications**

|                       |                                 |                   |                        |
|-----------------------|---------------------------------|-------------------|------------------------|
| Electrical Type       | <b>Three Phase</b>              | Starting Method   | <b>Across The Line</b> |
| Poles                 | <b>8</b>                        | Rotation          | <b>Reversible</b>      |
| Mounting              | <b>Rigid Base</b>               | Drive End Bearing | <b>Ball</b>            |
| Opp Drive End Bearing | <b>Ball</b>                     | Frame Material    | <b>Rolled Steel</b>    |
| Shaft Type            | <b>Single Special Extension</b> | Overall Length    | <b>18.52 in</b>        |
| Frame Length          | <b>10.25 in</b>                 | Shaft Diameter    | <b>0.625 in</b>        |
| Shaft Extension       | <b>6 in</b>                     |                   |                        |

This is an uncontrolled document once printed or downloaded and is subject to change without notice. Date Created:30/10/2019



SECTION A-A



NOTE: 1. GASKET USED UNDER COVER OF TERMINAL OPENING.

|                                 |                             |                    |   |
|---------------------------------|-----------------------------|--------------------|---|
| DRAWING REVISION<br>ECO-0104396 | REVISION BY<br>D VALENCIANO | DATE<br>06-22-2016 | TOLERANCES UNLESS OTHERWISE SPECIFIED:<br>FRACTIONS .001 .002 .003 .004 .005 .006 .007 .008 .009 .010 .015 .020 .025 .030 .035 .040 .045 .050 .055 .060 .065 .070 .075 .080 .085 .090 .095 .100 .105 .110 .115 .120 .125 .130 .135 .140 .145 .150 .155 .160 .165 .170 .175 .180 .185 .190 .195 .200 .205 .210 .215 .220 .225 .230 .235 .240 .245 .250 .255 .260 .265 .270 .275 .280 .285 .290 .295 .300 .305 .310 .315 .320 .325 .330 .335 .340 .345 .350 .355 .360 .365 .370 .375 .380 .385 .390 .395 .400 .405 .410 .415 .420 .425 .430 .435 .440 .445 .450 .455 .460 .465 .470 .475 .480 .485 .490 .495 .500 .505 .510 .515 .520 .525 .530 .535 .540 .545 .550 .555 .560 .565 .570 .575 .580 .585 .590 .595 .600 .605 .610 .615 .620 .625 .630 .635 .640 .645 .650 .655 .660 .665 .670 .675 .680 .685 .690 .695 .700 .705 .710 .715 .720 .725 .730 .735 .740 .745 .750 .755 .760 .765 .770 .775 .780 .785 .790 .795 .800 .805 .810 .815 .820 .825 .830 .835 .840 .845 .850 .855 .860 .865 .870 .875 .880 .885 .890 .895 .900 .905 .910 .915 .920 .925 .930 .935 .940 .945 .950 .955 .960 .965 .970 .975 .980 .985 .990 .995 .1000 .1005 .1010 .1015 .1020 .1025 .1030 .1035 .1040 .1045 .1050 .1055 .1060 .1065 .1070 .1075 .1080 .1085 .1090 .1095 .1100 .1105 .1110 .1115 .1120 .1125 .1130 .1135 .1140 .1145 .1150 .1155 .1160 .1165 .1170 .1175 .1180 .1185 .1190 .1195 .1200 .1205 .1210 .1215 .1220 .1225 .1230 .1235 .1240 .1245 .1250 .1255 .1260 .1265 .1270 .1275 .1280 .1285 .1290 .1295 .1300 .1305 .1310 .1315 .1320 .1325 .1330 .1335 .1340 .1345 .1350 .1355 .1360 .1365 .1370 .1375 .1380 .1385 .1390 .1395 .1400 .1405 .1410 .1415 .1420 .1425 .1430 .1435 .1440 .1445 .1450 .1455 .1460 .1465 .1470 .1475 .1480 .1485 .1490 .1495 .1500 .1505 .1510 .1515 .1520 .1525 .1530 .1535 .1540 .1545 .1550 .1555 .1560 .1565 .1570 .1575 .1580 .1585 .1590 .1595 .1600 .1605 .1610 .1615 .1620 .1625 .1630 .1635 .1640 .1645 .1650 .1655 .1660 .1665 .1670 .1675 .1680 .1685 .1690 .1695 .1700 .1705 .1710 .1715 .1720 .1725 .1730 .1735 .1740 .1745 .1750 .1755 .1760 .1765 .1770 .1775 .1780 .1785 .1790 .1795 .1800 .1805 .1810 .1815 .1820 .1825 .1830 .1835 .1840 .1845 .1850 .1855 .1860 .1865 .1870 .1875 .1880 .1885 .1890 .1895 .1900 .1905 .1910 .1915 .1920 .1925 .1930 .1935 .1940 .1945 .1950 .1955 .1960 .1965 .1970 .1975 .1980 .1985 .1990 .1995 .2000 .2005 .2010 .2015 .2020 .2025 .2030 .2035 .2040 .2045 .2050 .2055 .2060 .2065 .2070 .2075 .2080 .2085 .2090 .2095 .2100 .2105 .2110 .2115 .2120 .2125 .2130 .2135 .2140 .2145 .2150 .2155 .2160 .2165 .2170 .2175 .2180 .2185 .2190 .2195 .2200 .2205 .2210 .2215 .2220 .2225 .2230 .2235 .2240 .2245 .2250 .2255 .2260 .2265 .2270 .2275 .2280 .2285 .2290 .2295 .2300 .2305 .2310 .2315 .2320 .2325 .2330 .2335 .2340 .2345 .2350 .2355 .2360 .2365 .2370 .2375 .2380 .2385 .2390 .2395 .2400 .2405 .2410 .2415 .2420 .2425 .2430 .2435 .2440 .2445 .2450 .2455 .2460 .2465 .2470 .2475 .2480 .2485 .2490 .2495 .2500 .2505 .2510 .2515 .2520 .2525 .2530 .2535 .2540 .2545 .2550 .2555 .2560 .2565 .2570 .2575 .2580 .2585 .2590 .2595 .2600 .2605 .2610 .2615 .2620 .2625 .2630 .2635 .2640 .2645 .2650 .2655 .2660 .2665 .2670 .2675 .2680 .2685 .2690 .2695 .2700 .2705 .2710 .2715 .2720 .2725 .2730 .2735 .2740 .2745 .2750 .2755 .2760 .2765 .2770 .2775 .2780 .2785 .2790 .2795 .2800 .2805 .2810 .2815 .2820 .2825 .2830 .2835 .2840 .2845 .2850 .2855 .2860 .2865 .2870 .2875 .2880 .2885 .2890 .2895 .2900 .2905 .2910 .2915 .2920 .2925 .2930 .2935 .2940 .2945 .2950 .2955 .2960 .2965 .2970 .2975 .2980 .2985 .2990 .2995 .3000 .3005 .3010 .3015 .3020 .3025 .3030 .3035 .3040 .3045 .3050 .3055 .3060 .3065 .3070 .3075 .3080 .3085 .3090 .3095 .3100 .3105 .3110 .3115 .3120 .3125 .3130 .3135 .3140 .3145 .3150 .3155 .3160 .3165 .3170 .3175 .3180 .3185 .3190 .3195 .3200 .3205 .3210 .3215 .3220 .3225 .3230 .3235 .3240 .3245 .3250 .3255 .3260 .3265 .3270 .3275 .3280 .3285 .3290 .3295 .3300 .3305 .3310 .3315 .3320 .3325 .3330 .3335 .3340 .3345 .3350 .3355 .3360 .3365 .3370 .3375 .3380 .3385 .3390 .3395 .3400 .3405 .3410 .3415 .3420 .3425 .3430 .3435 .3440 .3445 .3450 .3455 .3460 .3465 .3470 .3475 .3480 .3485 .3490 .3495 .3500 .3505 .3510 .3515 .3520 .3525 .3530 .3535 .3540 .3545 .3550 .3555 .3560 .3565 .3570 .3575 .3580 .3585 .3590 .3595 .3600 .3605 .3610 .3615 .3620 .3625 .3630 .3635 .3640 .3645 .3650 .3655 .3660 .3665 .3670 .3675 .3680 .3685 .3690 .3695 .3700 .3705 .3710 .3715 .3720 .3725 .3730 .3735 .3740 .3745 .3750 .3755 .3760 .3765 .3770 .3775 .3780 .3785 .3790 .3795 .3800 .3805 .3810 .3815 .3820 .3825 .3830 .3835 .3840 .3845 .3850 .3855 .3860 .3865 .3870 .3875 .3880 .3885 .3890 .3895 .3900 .3905 .3910 .3915 .3920 .3925 .3930 .3935 .3940 .3945 .3950 .3955 .3960 .3965 .3970 .3975 .3980 .3985 .3990 .3995 .4000 .4005 .4010 .4015 .4020 .4025 .4030 .4035 .4040 .4045 .4050 .4055 .4060 .4065 .4070 .4075 .4080 .4085 .4090 .4095 .4100 .4105 .4110 .4115 .4120 .4125 .4130 .4135 .4140 .4145 .4150 .4155 .4160 .4165 .4170 .4175 .4180 .4185 .4190 .4195 .4200 .4205 .4210 .4215 .4220 .4225 .4230 .4235 .4240 .4245 .4250 .4255 .4260 .4265 .4270 .4275 .4280 .4285 .4290 .4295 .4300 .4305 .4310 .4315 .4320 .4325 .4330 .4335 .4340 .4345 .4350 .4355 .4360 .4365 .4370 .4375 .4380 .4385 .4390 .4395 .4400 .4405 .4410 .4415 .4420 .4425 .4430 .4435 .4440 .4445 .4450 .4455 .4460 .4465 .4470 .4475 .4480 .4485 .4490 .4495 .4500 .4505 .4510 .4515 .4520 .4525 .4530 .4535 .4540 .4545 .4550 .4555 .4560 .4565 .4570 .4575 .4580 .4585 .4590 .4595 .4600 .4605 .4610 .4615 .4620 .4625 .4630 .4635 .4640 .4645 .4650 .4655 .4660 .4665 .4670 .4675 .4680 .4685 .4690 .4695 .4700 .4705 .4710 .4715 .4720 .4725 .4730 .4735 .4740 .4745 .4750 .4755 .4760 .4765 .4770 .4775 .4780 .4785 .4790 .4795 .4800 .4805 .4810 .4815 .4820 .4825 .4830 .4835 .4840 .4845 .4850 .4855 .4860 .4865 .4870 .4875 .4880 .4885 .4890 .4895 .4900 .4905 .4910 .4915 .4920 .4925 .4930 .4935 .4940 .4945 .4950 .4955 .4960 .4965 .4970 .4975 .4980 .4985 .4990 .4995 .5000 .5005 .5010 .5015 .5020 .5025 .5030 .5035 .5040 .5045 .5050 .5055 .5060 .5065 .5070 .5075 .5080 .5085 .5090 .5095 .5100 .5105 .5110 .5115 .5120 .5125 .5130 .5135 .5140 .5145 .5150 .5155 .5160 .5165 .5170 .5175 .5180 .5185 .5190 .5195 .5200 .5205 .5210 .5215 .5220 .5225 .5230 .5235 .5240 .5245 .5250 .5255 .5260 .5265 .5270 .5275 .5280 .5285 .5290 .5295 .5300 .5305 .5310 .5315 .5320 .5325 .5330 .5335 .5340 .5345 .5350 .5355 .5360 .5365 .5370 .5375 .5380 .5385 .5390 .5395 .5400 .5405 .5410 .5415 .5420 .5425 .5430 .5435 .5440 .5445 .5450 .5455 .5460 .5465 .5470 .5475 .5480 .5485 .5490 .5495 .5500 .5505 .5510 .5515 .5520 .5525 .5530 .5535 .5540 .5545 .5550 .5555 .5560 .5565 .5570 .5575 .5580 .5585 .5590 .5595 .5600 .5605 .5610 .5615 .5620 .5625 .5630 .5635 .5640 .5645 .5650 .5655 .5660 .5665 .5670 .5675 .5680 .5685 .5690 .5695 .5700 .5705 .5710 .5715 .5720 .5725 .5730 .5735 .5740 .5745 .5750 .5755 .5760 .5765 .5770 .5775 .5780 .5785 .5790 .5795 .5800 .5805 .5810 .5815 .5820 .5825 .5830 .5835 .5840 .5845 .5850 .5855 .5860 .5865 .5870 .5875 .5880 .5885 .5890 .5895 .5900 .5905 .5910 .5915 .5920 .5925 .5930 .5935 .5940 .5945 .5950 .5955 .5960 .5965 .5970 .5975 .5980 .5985 .5990 .5995 .6000 .6005 .6010 .6015 .6020 .6025 .6030 .6035 .6040 .6045 .6050 .6055 .6060 .6065 .6070 .6075 .6080 .6085 .6090 .6095 .6100 .6105 .6110 .6115 .6120 .6125 .6130 .6135 .6140 .6145 .6150 .6155 .6160 .6165 .6170 .6175 .6180 .6185 .6190 .6195 .6200 .6205 .6210 .6215 .6220 .6225 .6230 .6235 .6240 .6245 .6250 .6255 .6260 .6265 .6270 .6275 .6280 .6285 .6290 .6295 .6300 .6305 .6310 .6315 .6320 .6325 .6330 .6335 .6340 .6345 .6350 .6355 .6360 .6365 .6370 .6375 .6380 .6385 .6390 .6395 .6400 .6405 .6410 .6415 .6420 .6425 .6430 .6435 .6440 .6445 .6450 .6455 .6460 .6465 .6470 .6475 .6480 .6485 .6490 .6495 .6500 .6505 .6510 .6515 .6520 .6525 .6530 .6535 .6540 .6545 .6550 .6555 .6560 .6565 .6570 .6575 .6580 .6585 .6590 .6595 .6600 .6605 .6610 .6615 .6620 .6625 .6630 .6635 .6640 .6645 .6650 .6655 .6660 .6665 .6670 .6675 .6680 .6685 .6690 .6695 .6700 .6705 .6710 .6715 .6720 .6725 .6730 .6735 .6740 .6745 .6750 .6755 .6760 .6765 .6770 .6775 .6780 .6785 .6790 .6795 .6800 .6805 .6810 .6815 .6820 .6825 .6830 .6835 .6840 .6845 .6850 .6855 .6860 .6865 .6870 .6875 .6880 .6885 .6890 .6895 .6900 .6905 .6910 .6915 .6920 .6925 .6930 .6935 .6940 .6945 .6950 .6955 .6960 .6965 .6970 .6975 .6980 .6985 .6990 .6995 .7000 .7005 .7010 .7015 .7020 .7025 .7030 .7035 .7040 .7045 .7050 .7055 .7060 .7065 .7070 .7075 .7080 .7085 .7090 .7095 .7100 .7105 .7110 .7115 .7120 .7125 .7130 .7135 .7140 .7145 .7150 .7155 .7160 .7165 .7170 .7175 .7180 .7185 .7190 .7195 .7200 .7205 .7210 .7215 .7220 .7225 .7230 .7235 .7240 .7245 .7250 .7255 .7260 .7265 .7270 .7275 .7280 .7285 .7290 .7295 .7300 .7305 .7310 .7315 .7320 .7325 .7330 .7335 .7340 .7345 .7350 .7355 .7360 .7365 .7370 .7375 .7380 .7385 .7390 .7395 .7400 .7405 .7410 .7415 .7420 .7425 .7430 .7435 .7440 .7445 .7450 .7455 .7460 .7465 .7470 .7475 .7480 .7485 .7490 .7495 .7500 .7505 .7510 .7515 .7520 .7525 .7530 .7535 .7540 .7545 .7550 .7555 .7560 .7565 .7570 .7575 .7580 .7585 .7590 .7595 .7600 .7605 .7610 .7615 .7620 .7625 .7630 .7635 .7640 .7645 .7650 .7655 .7660 .7665 .7670 .7675 .7680 .7685 .7690 .7695 .7700 .7705 .7710 .7715 .7720 .7725 .7730 .7735 .7740 .7745 .7750 .7755 .7760 .7765 .7770 .7775 .7780 .7785 .7790 .7795 .7800 .7805 .7810 .7815 .7820 .7825 .7830 .7835 .7840 .7845 .7850 .7855 .7860 .7865 .7870 .7875 .7880 .7885 .7890 .7895 .7900 .7905 .7910 .7915 .7920 .7925 .7930 .7935 .7940 .7945 .7950 .7955 .7960 .7965 .7970 .7975 .7980 .7985 .7990 .7995 .8000 .8005 .8010 .8015 .8020 .8025 .8030 .8035 .8040 .8045 .8050 .8055 .8060 .8065 .8070 .8075 .8080 .8085 .8090 .8095 .8100 .8105 .8110 .8115 .8120 .8125 .8130 .8135 .8140 .8145 .8150 .8155 .8160 .8165 .8170 .8175 .8180 .8185 .8190 .8195 .8200 .8205 .8210 .8215 .8220 .8225 .8230 .8235 .8240 .8245 .8250 .8255 .8260 .8265 .8270 .8275 .8280 .8285 .8290 .8295 .8300 .8305 .8310 .8315 .8320 .8325 .8330 .8335 .8340 .8345 .8350 .8355 .8360 .8365 .8370 .8375 .8380 .8385 .8390 .8395 .8400 .8405 .8410 .8415 .8420 .8425 .8430 .8435 .8440 .8445 .8450 .8455 .8460 .8465 .8470 .8475 .8480 .8485 .8490 .8495 .8500 .8505 .8510 .8515 .8520 .8525 .8530 .8535 .8540 .8545 .8550 .8555 .8560 .8565 .8570 .8575 .8580 .8585 .8590 .8595 .8600 .8605 .8610 .8615 .8620 .8625 .8630 .8635 .8640 .8645 .8650 .8655 .8660 .8665 .8670 .8675 .8680 .8685 .8690 .8695 .8700 .8705 .8710 .8715 .8720 .8725 .8730 .8735 .8740 .8745 .8750 .8755 .8760 .8765 .8770 .8775 .8780 .8785 .8790 .8795 .8800 .8805 .8810 .8815 .8820 .8825 .8830 .8835 .8840 .8845 .8850 .8855 .8860 .8865 .8870 .8875 .8880 .8885 .8890 .8895 .8900 .8905 .8910 .8915 .8920 .8925 .8930 .8935 .8940 .8945 .8950 .8955 .8960 .8965 .8970 .8975 .8980 .8985 .8990 .8995 .9000 .9005 .9010 .9015 .9020 .9025 .9030 .9035 .9040 .9045 .9050 .9055 .9060 .9065 .9070 .9075 .9080 .9085 .9090 .9095 .9100 .9105 .9110 .9115 .9120 .9125 .9130 .9135 .9140 .9145 .9150 .9155 .9160 .9165 .9170 .9175 .9180 .9185 .9190 .9195 .9200 .9205 .9210 .9215 .9220 .9225 .9230 .9235 .9240 .9245 .9250 .9255 .9260 .9265 .9270 .9275 .9280 .9285 .9290 .9295 .9300 .9305 .9310 .9315 .9320 .9325 .9330 .9335 .9340 .9345 .9350 .9355 .9360 .9365 .9370 .9375 .9380 .9385 .9390 .9395 .9400 .9405 .9410 .9415 .9420 .9425 .9430 .9435 .9440 .9445 .9450 .9455 .9460 .9465 .9470 .9475 .9480 .9485 .9490 .9495 .9500 .9505 .9510 .9515 .9520 .9525 .9530 .9535 .9540 .9545 .9550 .9555 .9560 .9565 .9570 .9575 .9580 .9585 .9590 .9595 .9600 .9605 .9610 .9615 .9620 .9625 .9630 .9635 .9640 .9645 .9650 .9655 .9660 .9665 .9670 .9675 .9680 .9685 .9690 .9695 .9700 .9705 .9710 .9715 .9720 .9725 .9730 .9735 .9740 .9745 .9750 .9755 .9760 .9765 .9770 .9775 .9780 .9785 .9790 .9795 .9800 .9805 .9810 .9815 .9820 .9825 .9830 .9835 .9840 .9845 .9850 .9855 .9860 .9865 .9870 .9875 .9880 .9885 .9890 .9895 .9900 .9905 .9910 .9915 .9920 .9925 .9930 .9935 .9940 .9945 .9950 .9955 .9960 .9965 .9970 .9975 .9980 .9985 .9990 .9995 .1000 .1005 .1010 .1015 .1020 .1025 .1030 .1035 .1040 .1045 .1050 .1055 .1060 .1065 .1070 .1075 .1080 .1085 .1090 .1095 .1100 .1105 .1110 .1115 .1120 .1125 .1130 .1135 .1140 .1145 .1150 .1155 .1160 .1165 .1170 .1175 .1180 .1185 .1190 .1195 .1200 .1205 .1210 .1215 .1220 .1225 .1230 .1235 .1240 .1245 .1250 .1255 .1260 .1265 .1270 .1275 .1280 .1285 .1290 .1295 .1300 .1305 .1310 .1315 .1320 .1325 .1330 .1335 .1340 .1345 .1350 .1355 .1360 .1365 .1370 .1375 .1380 .1385 .1390 .1395 .1400 .1405 .1410 .1415 .1420 .1425 .1430 .1435 .1440 .1445 .1450 .1455 .1460 .1465 .1470 .1475 .1480 .1485 .1490 .1495 .1500 .1505 .1510 .1515 .1520 .1525 .1530 .1535 .1540 .1545 .1550 .1555 .1560 .1565 .1570 .1575 .1580 .1585 .1590 .1595 .1600 .1605 .1610 .1615 .1620 .1625 .1630 .1635 .1640 .1645 .1650 .1655 .1660 .1665 .1670 .1675 .1680 .1685 .1690 .1695 .1700 .1705 .1710 .1715 .1720 .1725 .1730 .1735 .1740 .1745 .1750 .1755 .1760 .1765 .1770 .1775 .1780 .1785 .1790 .1795 .1800 .1805 .1810 .1815 .1820 .1825 .1830 .1835 .1840 .1845 .1850 .1855 .186 |
|---------------------------------|-----------------------------|--------------------|---|



**CERTIFICATION DATA SHEET**

**CUSTOMER**  
PO #:

**CUSTOMER:**  
**ORDER #:**

**CUSTOMER PART**  
#:

**CONN. DIAGRAM:** CDDTD102

**MOUNTING:** F1 ONLY

**OUTLINE:** 0L56100127-001  
**WINDING #:** NT5684 3 A

**TYPICAL MOTOR PERFORMANCE DATA**

| HP     | KW        | SYNC. RPM | F.L. RPM | FRAME | ENCLOSURE | KVA CODE | DESIGN |
|--------|-----------|-----------|----------|-------|-----------|----------|--------|
| 1.83/4 | 0.7580.56 | 750       | 8508.715 | 56HZ  | OPAO      | J        | B      |

| PH | HZ    | VOLTS               | AMPS                | START TYPE       | DUTY       | INSL | S.F.    | AMB°C |
|----|-------|---------------------|---------------------|------------------|------------|------|---------|-------|
| 3  | 60/50 | 208-230/460&190/380 | 5.1-5.4/2.7&5.2/2.6 | LINE OR INVERTER | CONTINUOUS | F3   | 1.0/1.0 | 70    |

|                       |    |                      |      |                      |      |                 |    |                   |
|-----------------------|----|----------------------|------|----------------------|------|-----------------|----|-------------------|
| <b>FULL LOAD EFF:</b> | 72 | <b>3/4 LOAD EFF:</b> | 65.3 | <b>1/2 LOAD EFF:</b> | 58.6 | <b>GTD. EFF</b> | 64 | <b>ELEC. TYPE</b> |
| <b>FULL LOAD PF:</b>  | 49 | <b>3/4 LOAD PF:</b>  | 37.6 | <b>1/2 LOAD PF:</b>  | 29.3 | SQ CAGE IND RUN |    |                   |

| F.L. TORQUE | LOCKED ROTOR AMPS | L.R. TORQUE |          | B.D. TORQUE |          | F.L. RISE°C |
|-------------|-------------------|-------------|----------|-------------|----------|-------------|
| 5.5 LB-FT   | 16.6 / 8.3        | 16.65 LB-FT | 302.72 % | 19 LB-FT    | 345.45 % | 0           |

| SOUND PRESSURE @ 3 FT. | SOUND POWER | ROTOR WK^2 | MAX. WK^2 | SAFE STALL TIME | STARTS / HOUR | APPROX. MOTOR WGT |
|------------------------|-------------|------------|-----------|-----------------|---------------|-------------------|
| 0 DBA                  | 10 DBA      | 0 LB-FT^2  | 0 LB-FT^2 | 0 SEC.          | 0             | 0 LBS.            |

\*\*\* SUPPLEMENTAL INFORMATION \*\*\*

| DE BRACKET TYPE | ODE BRACKET TYPE | MOUNT TYPE | ORIENTATION | SEVERE DUTY | HAZARDOUS LOCATION | DRIP COVER | SCREENS | PAINT          |
|-----------------|------------------|------------|-------------|-------------|--------------------|------------|---------|----------------|
| STANDARD        | STANDARD         | RIGID      | HORIZONTAL  | FALSE       | NONE               | FALSE      | NONE    | BLACK (POWDER) |

| BEARINGS |      | GREASE     | SHAFT TYPE  | SPECIAL DE | SPECIAL ODE | SHAFT MATERIAL           | FRAME MATERIAL |
|----------|------|------------|-------------|------------|-------------|--------------------------|----------------|
| DE       | ODE  |            |             |            |             |                          |                |
| BALL     | BALL | POLYREX EM | SGL SPL EXT | SPECIAL    | NONE        | 1144 STRESSPROOF (C-223) | ROLLED STEEL   |
| 6203     | 6203 |            |             |            |             |                          |                |

| THERMO-PROTECTORS |            |          |          |             |         |               |
|-------------------|------------|----------|----------|-------------|---------|---------------|
| THERMOSTATS       | PROTECTORS | WDG RTDS | BRG RTDS | THERMISTORS | CONTROL | SPACE HEATERS |
| NONE              | AUTOMATIC  | NONE     | NONE     | NONE        | FALSE   | NONE          |

**INVERTER TORQUE:** NONE  
**INV. HP SPEED RANGE:** NONE

|                 |          |
|-----------------|----------|
| <b>ENCODER:</b> | NONE     |
| NONE            | NONE     |
| NONE            | PPR      |
| <b>BRAKE:</b>   | NONE     |
| NONE            | P/N NONE |
| NONE            | NONE     |
| NONE            | FT-LB    |
| NONE            | NONE V   |
| NONE            | NONE HZ  |

\*

**PREPARED BY:** Bhargavi Dontham  
**DATE:** 08/27/2018 05:17:05 AM  
**FORM 3531 REV.3 02/07/99**  
\*\* Subject to change without notice.

**MARATHON ELECTRIC CORPORATION**

TYPICAL PERFORMANCE CURVE for AC MOTOR

Customer WW Grainger

Curve at 460

Volts

HP 1&0.75

PHASE 3

Model No H1053RBV1

60

HZ

VOLTS 208-230/460&190/380

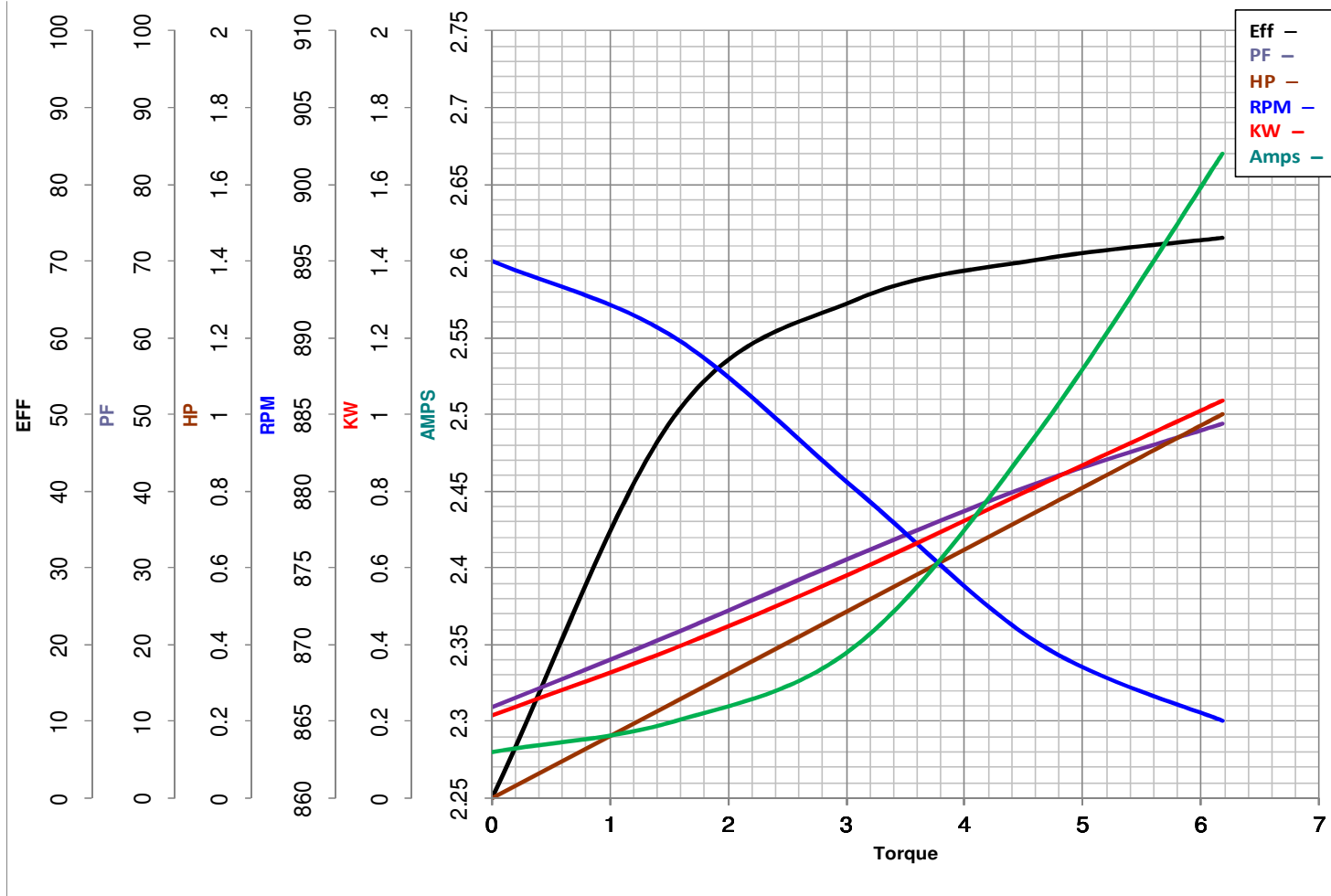
1

HP

Catalog No H1053RBV1

HZ 60&50

RPM 850&715



Torque in Lb.Ft

FL TORQUE 6.175 Lb.Ft

BD TORQUE 18.9 Lb.Ft

LR TORQUE 16.71 Lb.Ft

FL AMPS 5.1-5.4/2.7

PU TORQUE 14.6 Lb.Ft

LR AMPS 9.8

WINDING NT5684-3

Prepared By BHARGAVI

Date 8/27/2018