

# PRODUCT INFORMATION PACKET



Model No: H1053AV1  
Catalog No: H1053AV1  
1 HP Condenser Fans HVAC/R Motor, 3 phase, 900 RPM, 208-230/460 V, 56HZ Frame, OPAO  
Condenser Fans Motors



Regal and Century are trademarks of Regal Beloit Corporation or one of its affiliated companies.  
©2019 Regal Beloit Corporation, All Rights Reserved. MC017097E

REGAL



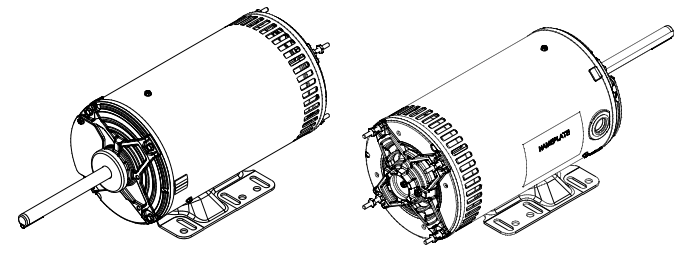
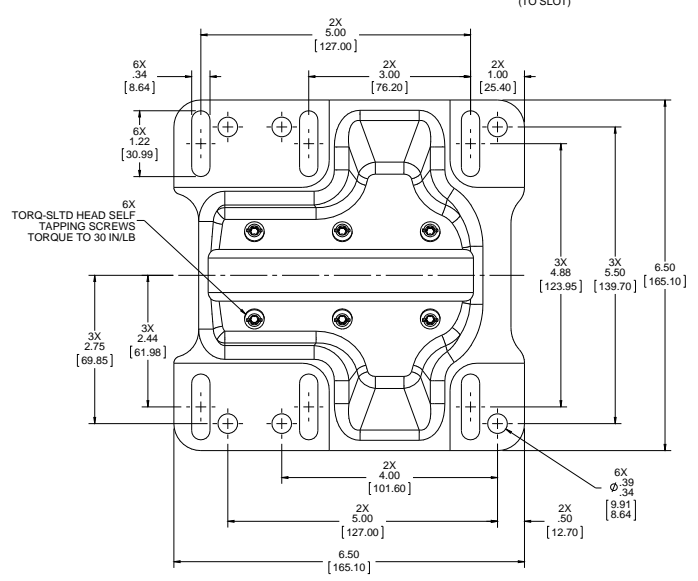
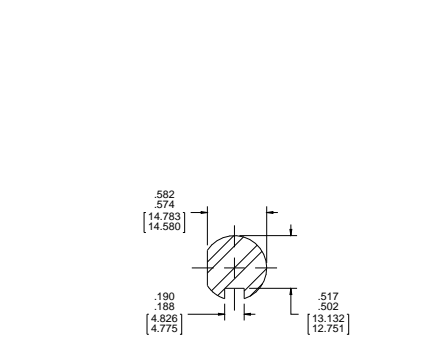
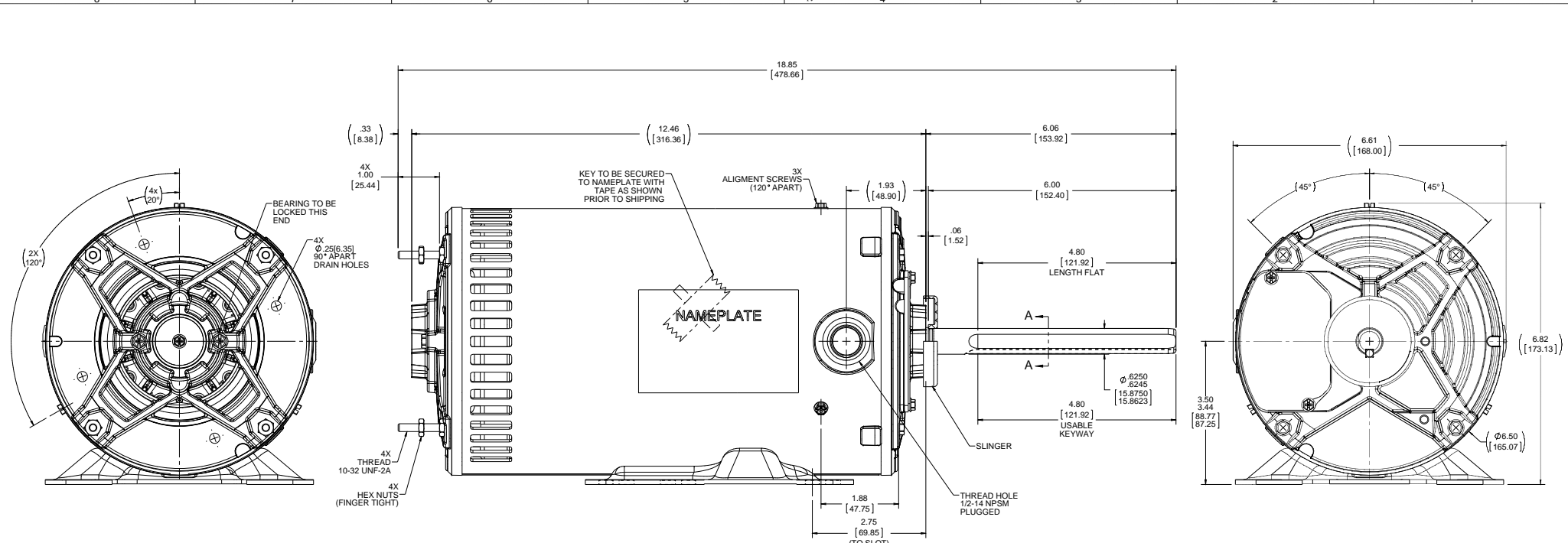
**Nameplate Specifications**

Output HP	<b>1 Hp</b>	Output KW	<b>0.75 kW</b>
Frequency	<b>60 Hz</b>	Voltage	<b>208-230/460 V</b>
Current	<b>5.1-5.4/2.7 A</b>	Speed	<b>850 rpm</b>
Service Factor	<b>1</b>	Phase	<b>3</b>
Duty	<b>Continuous</b>	Insulation Class	<b>F</b>
Frame	<b>56HZ</b>	Enclosure	<b>Open Air Over</b>
Thermal Protection	<b>Thermally Protected</b>	Ambient Temperature	<b>70 °C</b>
UL	<b>Recognized</b>	CSA	<b>Y</b>
CE	<b>N</b>		

**Technical Specifications**

Electrical Type	<b>Three Phase</b>	Starting Method	<b>Across The Line</b>
Poles	<b>8</b>	Rotation	<b>Reversible</b>
Mounting	<b>Rigid Base</b>	Drive End Bearing	<b>Ball</b>
Opp Drive End Bearing	<b>Ball</b>	Frame Material	<b>Rolled Steel</b>
Shaft Type	<b>Keyed</b>	Overall Length	<b>18.85 in</b>
Frame Length	<b>10.15 in</b>	Shaft Diameter	<b>0.625 in</b>
Shaft Extension	<b>6 in</b>		

This is an uncontrolled document once printed or downloaded and is subject to change without notice. Date Created:30/10/2019



NOTE: BASE TO BE ATTACHED WITH SCREWS. DO NOT WELD

DRAWING REVISION		REVISION BY	DATE	TOLERANCES UNLESS OTHERWISE SPECIFIED:	DRAWN BY	Regal Beloit America, Inc.
A	D. VALENCIANO	05-18-2016	±.001	D. VALENCIANO		
ECO-0101865	J. ORTEGA	05-18-2016	±.005	05-18-2016		
ECO DESCRIPTION			±.010	±.015	APPROVED BY	DESCRIPTION
			±.020	±.030	J. ORTEGA	OUTLINE
			±.030	±.040	DATE	05-18-2016
			±.050	±.060	REFERENCE	HYDUSA
			±.070	±.080	MATERIAL	PROCESS FINISH
			±.090	±.100	THIRD ANGLE PROJECTION	
			±.120	±.150	SIZE	D
			±.180	±.200	DRAWING NUMBER	OL56100086-001
			±.250	±.300	SHEET	1 OF 1