

PRODUCT INFORMATION PACKET



Model No: H1052RBV1
Catalog No: H1052RBV1

2.0 HP Condenser Fans HVAC/R Motor, 3 phase, 1200 RPM, 208-230/460 V, 56HZ Frame, OPAO
Condenser Fans Motors



Regal and Century are trademarks of Regal Beloit Corporation or one of its affiliated companies.
©2019 Regal Beloit Corporation, All Rights Reserved. MC017097E





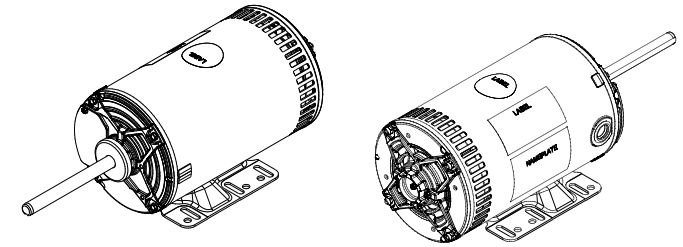
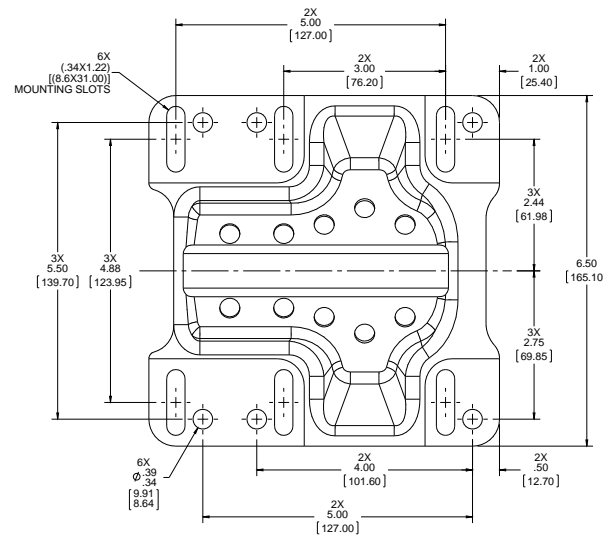
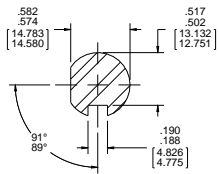
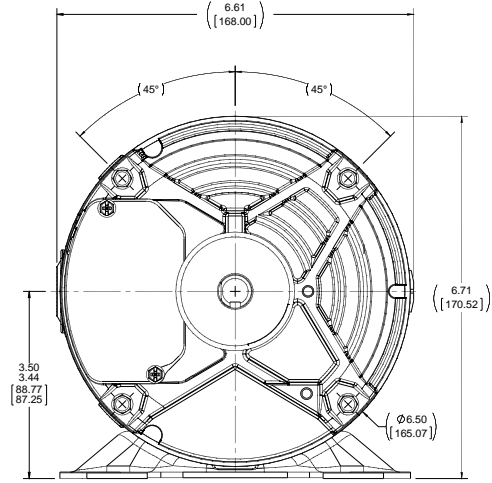
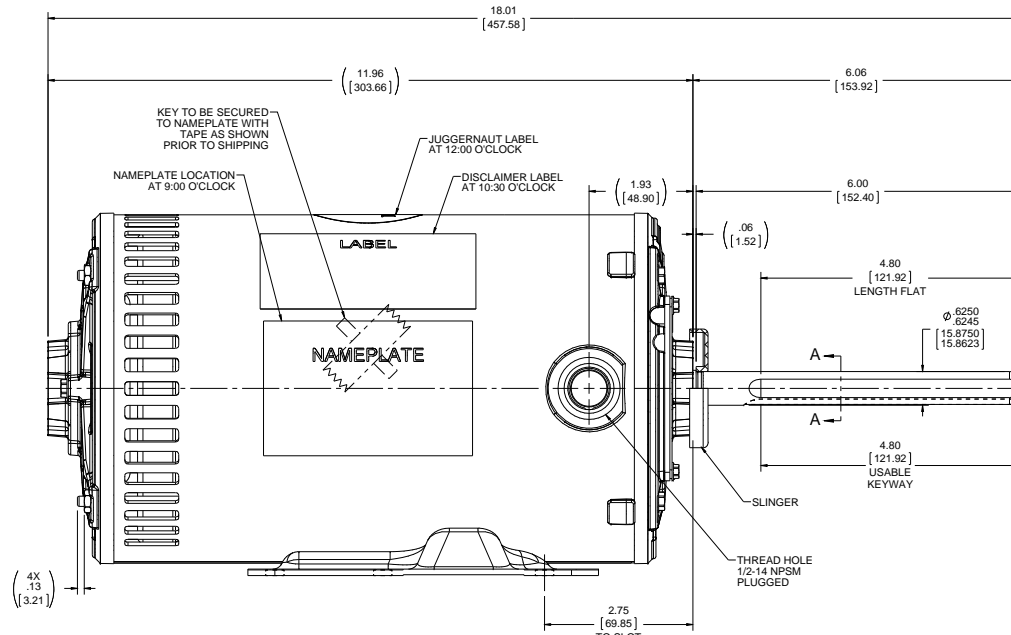
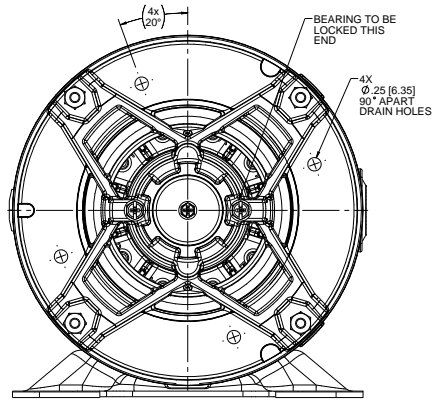
Nameplate Specifications

Output HP	2.0 Hp	Output KW	1.5 kW
Frequency	60 Hz	Voltage	208-230/460 V
Current	7.0-7.0/3.5 A	Speed	1140 rpm
Service Factor	1	Phase	3
Duty	Continuous	Insulation Class	F
Frame	56HZ	Enclosure	Open Air Over
Thermal Protection	Thermally Protected	Ambient Temperature	70 °C
UL	Recognized	CSA	Y
CE	N		

Technical Specifications

Electrical Type	Three Phase	Starting Method	Across The Line
Poles	6	Rotation	Reversible
Mounting	Rigid base	Drive End Bearing	Ball
Opp Drive End Bearing	Ball	Frame Material	Rolled Steel
Shaft Type	Keyed	Overall Length	18.01 in
Frame Length	9.65 in	Shaft Diameter	0.625 in
Shaft Extension	6 in		

This is an uncontrolled document once printed or downloaded and is subject to change without notice. Date Created:30/10/2019



NOTE:
1. GASKET USED UNDER COVER OF TERMINAL OPENING.

DRAWING REVISION ECO-0102997	REVISION BY D. VALENCIANO	DATE 06-16-2016	TOLERANCES UNLESS OTHERWISE SPECIFIED: FRACTIONS .001" .002" .005" .010" .015" .030" .050" .100" .150" .300" .500" .750" 1.000" DECIMALS .001" .002" .005" .010" .015" .030" .050" .100" .150" .300" .500" .750" 1.000" ANGLES .001" .002" .005" .010" .015" .030" .050" .100" .150" .300" .500" .750" 1.000"	DRAWN BY D. VALENCIANO	DATE 06-16-2016	DESCRIPTION OUTLINE
APPROVED BY J. ORTEGA	DATE 06-16-2016	APPROVED BY J. ORTEGA	DATE 06-16-2016	MATERIAL 58FR, GND, 3-PHASE	PROCESS/FINISH	
NEW MODEL RELEASE			REGAL BELT AMERICA, INC.			
DRAWING NUMBER OL56100124-001			SHEET 1 OF 1			