

PRODUCT INFORMATION PACKET



Model No: H1052AV1
Catalog No: H1052AV1
2.0 HP Condenser Fans HVAC/R Motor, 3 phase, 1200 RPM, 208-230/460 V, 56HZ Frame, OPAO
Condenser Fans Motors



Regal and Century are trademarks of Regal Beloit Corporation or one of its affiliated companies.
©2019 Regal Beloit Corporation, All Rights Reserved. MC017097E

The REGAL logo is a grey rectangular box with the word 'REGAL' in white, bold, uppercase letters. It is positioned on a blue and black halftone background that runs vertically down the right side of the page.

REGAL



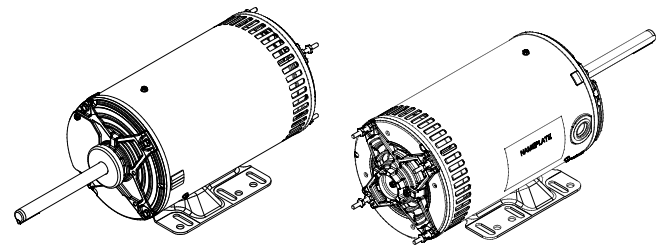
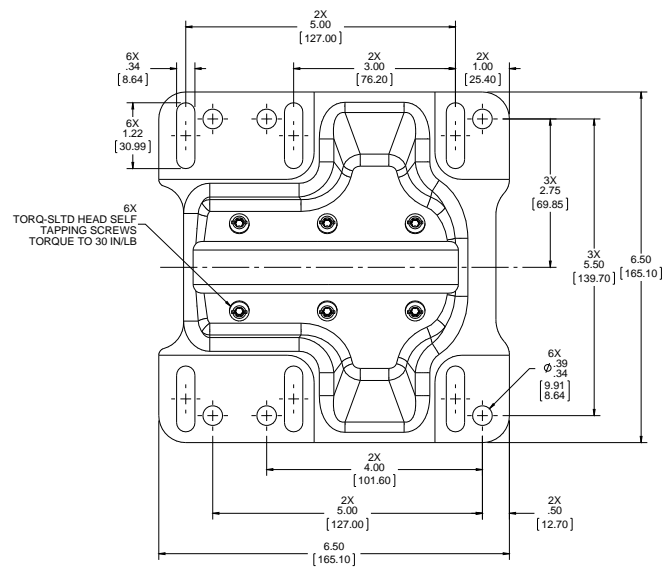
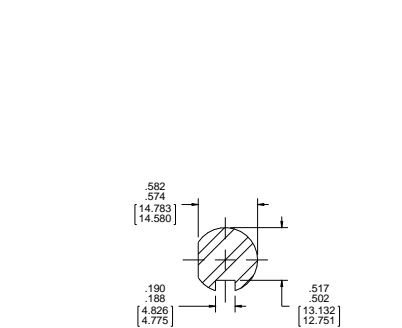
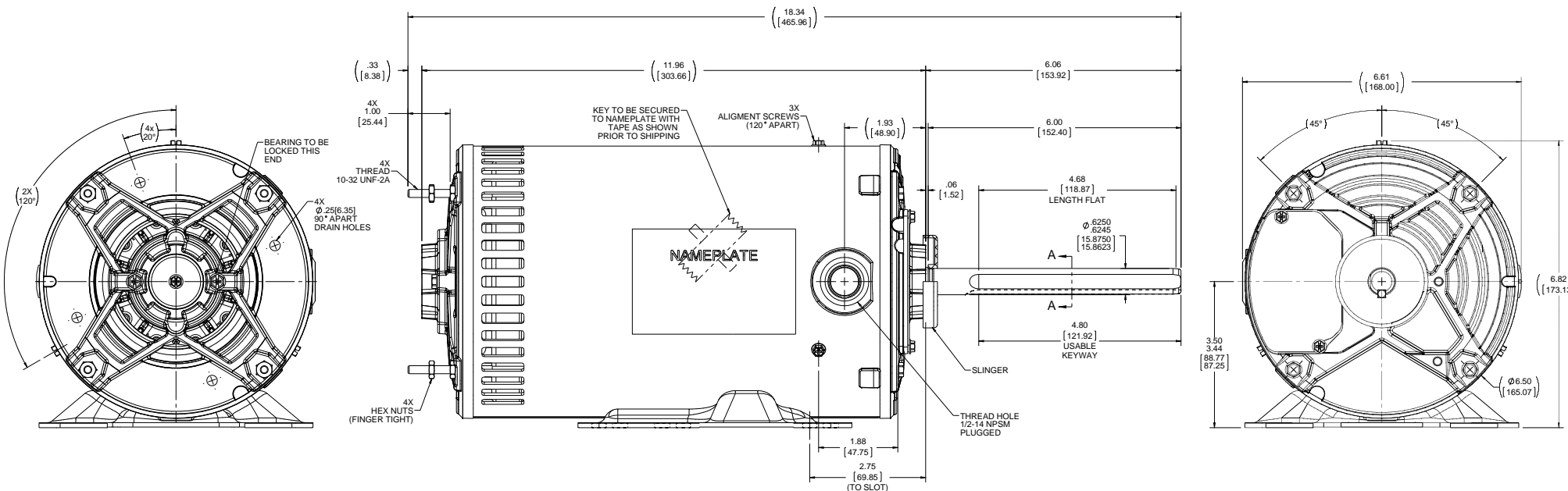
Nameplate Specifications

Output HP	2.0 Hp	Output KW	1.5 kW
Frequency	60 Hz	Voltage	208-230/460 V
Current	7.0-7.0/3.5 A	Speed	1140 rpm
Service Factor	1	Phase	3
Duty	Continuous	Insulation Class	F
Frame	56HZ	Enclosure	Open Air Over
Thermal Protection	Thermally Protected	Ambient Temperature	70 °C
UL	Recognized	CSA	Y
CE	N		

Technical Specifications

Electrical Type	Three Phase	Starting Method	Across The Line
Poles	6	Rotation	Reversible
Mounting	Rigid base	Drive End Bearing	Ball
Opp Drive End Bearing	Ball	Frame Material	Rolled Steel
Shaft Type	Keyed	Overall Length	18.34 in
Frame Length	8.25 in	Shaft Diameter	0.625 in
Shaft Extension	6 in		

This is an uncontrolled document once printed or downloaded and is subject to change without notice. Date Created:30/10/2019



NOTE:
BASE TO BE ATTACHED WITH SCREWS. DO NOT WELD

DRAWING REVISION		REVISION BY	DATE	TOLERANCES UNLESS OTHERWISE SPECIFIED:		DRAWN BY		Regal Beloit America, Inc.
ECO-0101864	A	D VALENCIANO	05-13-2016	FRAZ	±0.1	ANG	D VALENCIANO	
ECO DESCRIPTION		APPROVED BY	DATE	XXX	±0.005	±0.125	J CARTER	DESCRIPTION
NEW MODEL RELEASE				XXXX	±0.0005	±0.0127		OUTLINE
PROPERTY OF REGAL BELLOIT AMERICA, INC. ALL RIGHTS RESERVED. THIS DRAWING IS THE PROPERTY OF REGAL BELLOIT AMERICA, INC. IT IS TO BE USED ONLY FOR THE PURPOSES SPECIFIED HEREIN. IT IS TO BE KEPT IN CONFIDENTIALITY AND NOT TO BE REPRODUCED OR DISTRIBUTED IN ANY MANNER WITHOUT THE WRITTEN PERMISSION OF REGAL BELLOIT AMERICA, INC. ANY REPRODUCTION OR DISTRIBUTION OF THIS DRAWING WITHOUT THE WRITTEN PERMISSION OF REGAL BELLOIT AMERICA, INC. IS STRICTLY PROHIBITED. REGAL BELLOIT AMERICA, INC. IS NOT RESPONSIBLE FOR ANY DAMAGE TO PROPERTY OR PERSONS ARISING FROM THE USE OF THIS DRAWING.				FINISH	±0.125	±0.125		6SFR, GND, 3-PHASE
				REMOVE BURRS & SHARP EDGES	0.03 (0.76) (0.25) X 45°	±0.125		PROCESS FINISH
				CORNER FILLETS	R 0.125	±0.125		
				MACHINED SURFACES	12.5	±0.125		
				FINISH SHOWN IN BRACKETS				
				REFERENCE	HYGSA			
				THIRD ANGLE PROJECTION				
				SIZE	D			
				DRAWING NUMBER				OL56100085-001
				SHEET				1 OF 1