

PRODUCT INFORMATION PACKET



Model No: H1045LES
Catalog No: H1045LES
2 HP General Purpose Motor, 3 phase, 1800 RPM, 230/460 V, 56H Frame, ODP
Three Phase ODP Motors



Regal and Century are trademarks of Regal Beloit Corporation or one of its affiliated companies.
©2019 Regal Beloit Corporation, All Rights Reserved. MC017097E





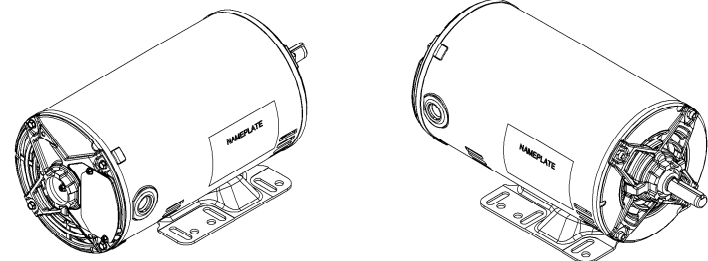
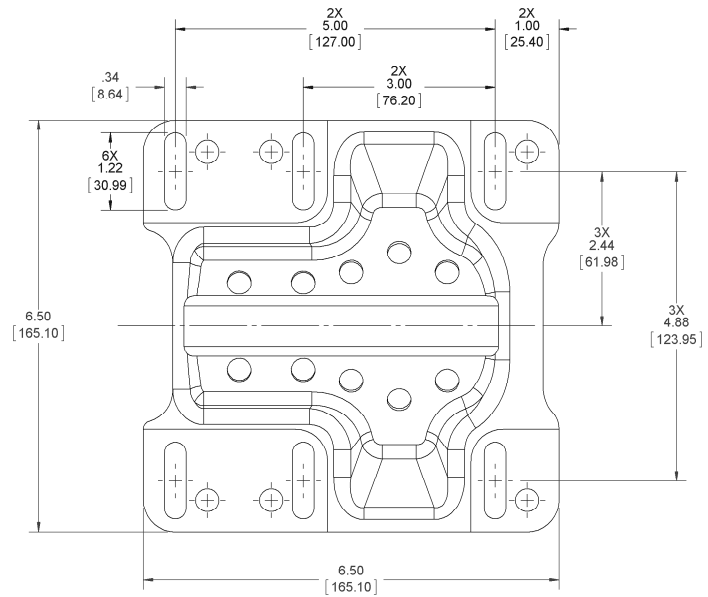
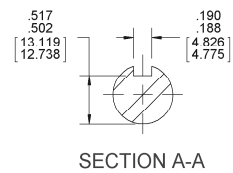
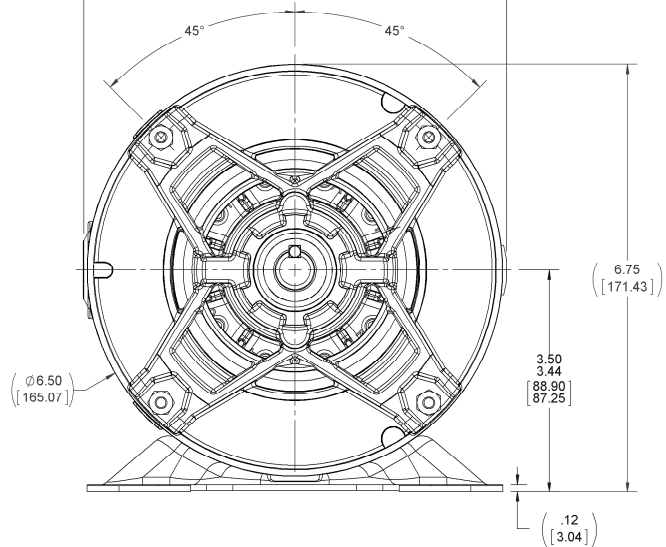
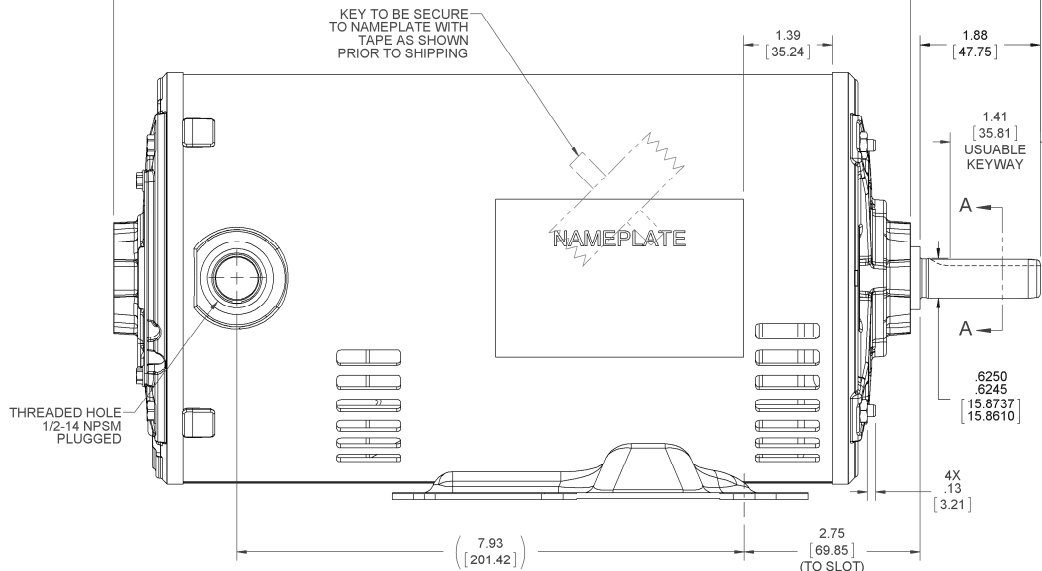
Nameplate Specifications

Output HP	2 Hp	Output KW	1.5 kW
Frequency	60 Hz	Voltage	230/460 V
Current	6/3 A	Speed	1725 rpm
Service Factor	1.2	Phase	3
Duty	Continuous	Insulation Class	B
Frame	56H	Enclosure	Drip Proof
Thermal Protection	Thermally Protected	Ambient Temperature	40 °C
UL	Recognized	CSA	Y
CE	Y		

Technical Specifications

Electrical Type	Three Phase	Starting Method	Across The Line
Poles	4	Rotation	Reversible
Mounting	Rigid Base	Drive End Bearing	Ball
Opp Drive End Bearing	Ball	Frame Material	Rolled Steel
Shaft Type	NEMA 56	Overall Length	14.49 in
Frame Length	10.24 in	Shaft Diameter	0.625 in
Shaft Extension	1.88 in		

This is an uncontrolled document once printed or downloaded and is subject to change without notice. Date Created:30/10/2019



DRAWING REVISION A		REVISION BY D VALENCIANO	DATE 10-20-2016	TOLERANCES UNLESS OTHERWISE SPECIFIED: DEC. INCH mm ANGLE X .01 [±2.5] ±0.5° XX .02 [±0.51] XXX ±0.005 [±0.127] XXXX ±0.0005 [±0.0127]		DRAWN BY D VALENCIANO	Regal Beloit America, Inc.		
ECO-0111362		APPROVED BY	DATE	REMOVE BURRS & BREAK SHARP EDGES: .003 Ø15 [Ø10-30] X 45° CORNER FILLETS: R .02 [51] MACHINED SURFACES: 125 3/2 INCH / mm mm SHOWN IN [BRACKETS]		DATE 10-20-2016		DESCRIPTION 56FR, ODP, 3-PHASE, RIGID	
ECO DESCRIPTION NEW MODEL RELEASE		<small> COPYRIGHT REGAL BELOIT AMERICA, INC. ALL RIGHTS RESERVED. PROPRIETARY AND CONFIDENTIAL INFORMATION - THIS DOCUMENT IS THE PROPERTY OF REGAL BELOIT AMERICA, INC. OWNERS AND CONTAINS OWNERS PROPRIETARY INFORMATION. ANY PERSON, CORPORATION OR OTHER FIRM RECEIVING IT IS DEEMED, BY RECEIVING IT, TO AGREE THAT IT, AND/OR ANY PART OF IT, SHALL NOT BE DISCLOSED TO ANY PERSON, CORPORATION OR OTHER ENTITY, DUPLICATED, AND/OR USED, EXCEPT AS EXPRESSLY APPROVED IN WRITING IN ADVANCE BY OWNER. THIS DOCUMENT SHALL BE RETURNED TO OWNER UPON REQUEST. IT MAY BE SUBJECT TO CERTAIN RESTRICTIONS UNDER APPLICABLE EXPORT CONTROL LAWS AND REGULATIONS. </small>		<small> THIRD ANGLE PROJECTION </small>		DATE 10-20-2016	MATERIAL	PROCESS/FINISH	
4		3		2		1		DRAWING NUMBER OL56100169-001	SHEET 1 OF 1