

PRODUCT INFORMATION PACKET



Model No: H1016LES
Catalog No: H1016LES
2.0 HP General Purpose Motor, 3 phase, 1800 RPM, 230/460 V, 56HC Frame, TEFC
Three Phase TEFC Motors



Regal and Century are trademarks of Regal Beloit Corporation or one of its affiliated companies.
©2019 Regal Beloit Corporation, All Rights Reserved. MC017097E





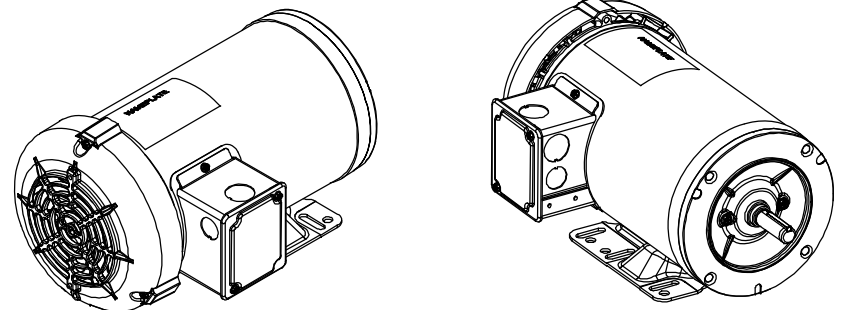
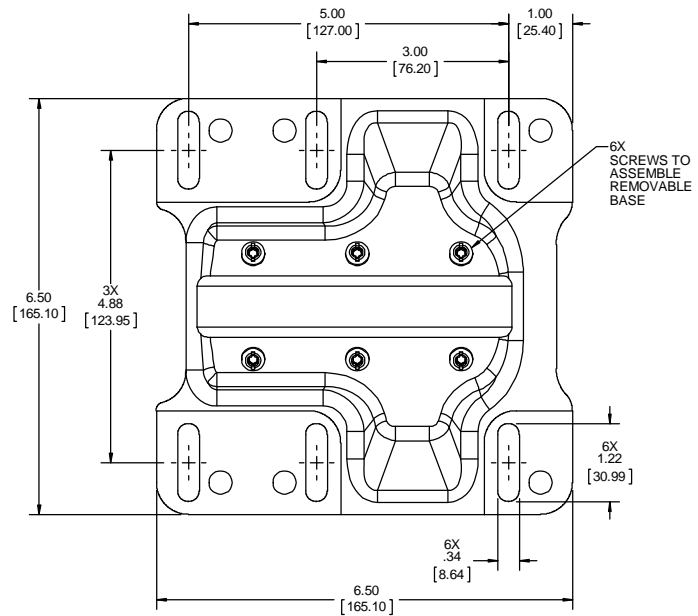
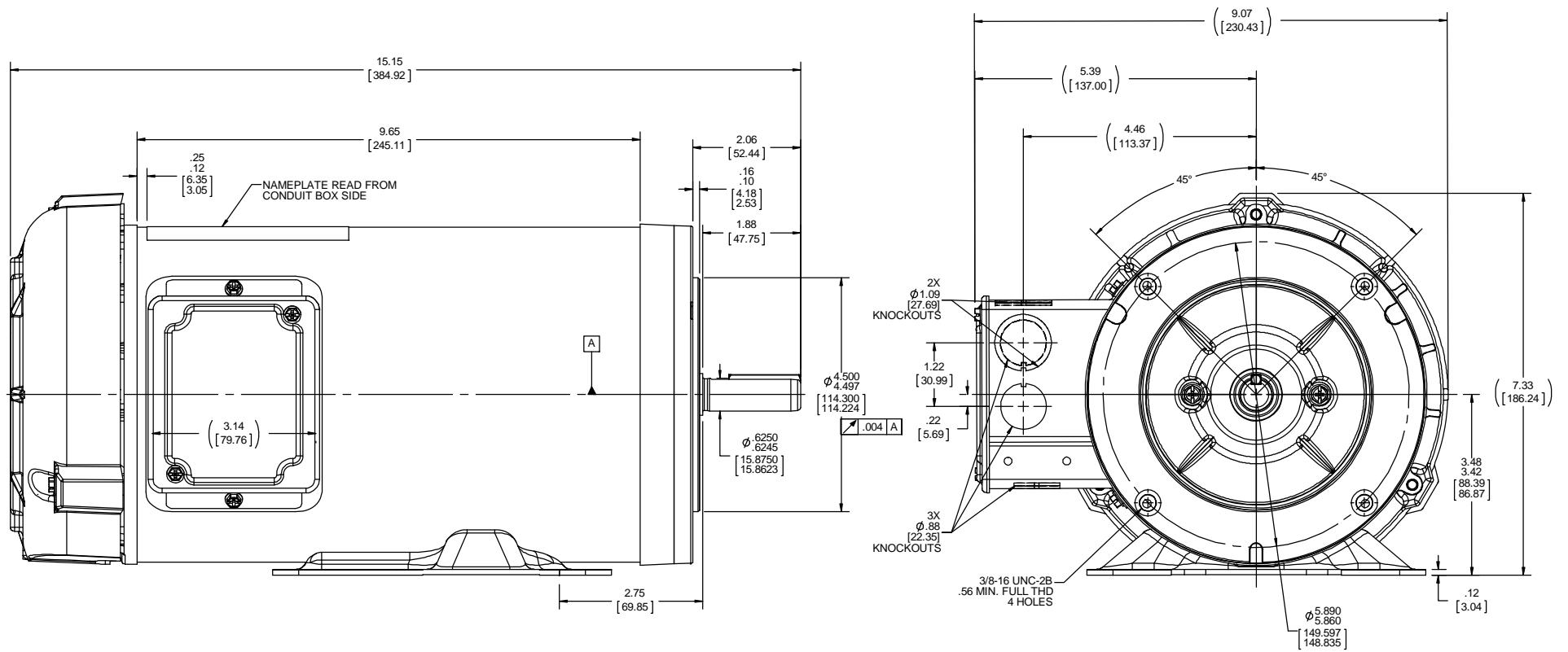
Nameplate Specifications

Output HP	2.0 Hp	Output KW	1.5 kW
Frequency	60 Hz	Voltage	230/460 V
Current	6.0-5.8/2.9 A	Speed	1725 rpm
Service Factor	1.15	Phase	3
Duty	Continuous	Insulation Class	B
Frame	56HC	Enclosure	Totally Enclosed Fan Cooled
Thermal Protection	None	Ambient Temperature	40 °C
UL	Recognized	CSA	Y
CE	Y		

Technical Specifications

Electrical Type	Three Phase	Starting Method	Across The Line
Poles	4	Rotation	Reversible
Mounting	Rigid base	Drive End Bearing	Ball
Opp Drive End Bearing	Ball	Frame Material	Rolled Steel
Shaft Type	NEMA 56	Overall Length	15.15 in
Frame Length	9.65 in	Shaft Diameter	0.625 in
Shaft Extension	1.88 in		

This is an uncontrolled document once printed or downloaded and is subject to change without notice. Date Created:30/10/2019



DRAWING REVISION D	REVISION BY KB	DATE 10/24/18	TOLERANCES UNLESS OTHERWISE SPECIFIED: DEC. INCH mm ANGLE	DRAWN BY F. RAMIREZ	Regal Beloit America, Inc.
ECO ECO-0155306	APPROVED BY SN	DATE 10/24/18	.X ±0.1 [±2.5] ±0.5° .XX ±0.02 [±0.51] .XXX ±0.005 [±0.127] .XXXX ±0.0005 [±0.0127]	DATE 03-30-2016	
ECO DESCRIPTION UPDATED MOTOR ASSEMBLY			REMOVE BURRS & BREAK SHARP EDGES: .003/.015 [076/381] X 45° CORNER FILLETS: R.02 [.51]	APPROVED BY	DESCRIPTION OUTLINE
<small>COPYRIGHT REGAL BELOIT AMERICA, INC. ALL RIGHTS RESERVED. PROPRIETARY AND CONFIDENTIAL INFORMATION. THIS DOCUMENT IS THE PROPERTY OF REGAL BELOIT AMERICA, INC. FORMER AND CONTAINING OWNERS PROPRIETARY INFORMATION. ANY PERSON, CORPORATION OR OTHER FIRM RECEIVING IT IS DEEMED BY RECEIVING IT, TO AGREE THAT IT, AND/OR ANY PART OF IT, SHALL NOT BE DISCLOSED TO ANY PERSON, CORPORATION OR OTHER ENTITY, DUPLICATED, AND/OR USED, EXCEPT AS EXPRESSLY APPROVED IN WRITING IN ADVANCE BY OWNER. THIS DOCUMENT SHALL BE RETURNED TO OWNER UPON REQUEST. IT MAY BE SUBJECT TO CERTAIN RESTRICTIONS UNDER APPLICABLE EXPORT CONTROL LAWS AND REGULATIONS.</small>			MACHINED SURFACES: 125 / 3.2 INCH / mmv	DATE	MATERIAL
			THIRD ANGLE PROJECTION	REFERENCE	PROCESS/FINISH
			SIZE	DRAWING NUMBER	SHEET
			C	OL56100003-003	1 OF 1