

PRODUCT INFORMATION PACKET



Model No: H024ES
Catalog No: H024ES
1/3 HP General Purpose Motor, 3 phase, 1200 RPM, 230/460 V, 56C Frame, ODP
Three Phase ODP Motors



Regal and Century are trademarks of Regal Beloit Corporation or one of its affiliated companies.
©2019 Regal Beloit Corporation, All Rights Reserved. MC017097E

REGAL



Nameplate Specifications

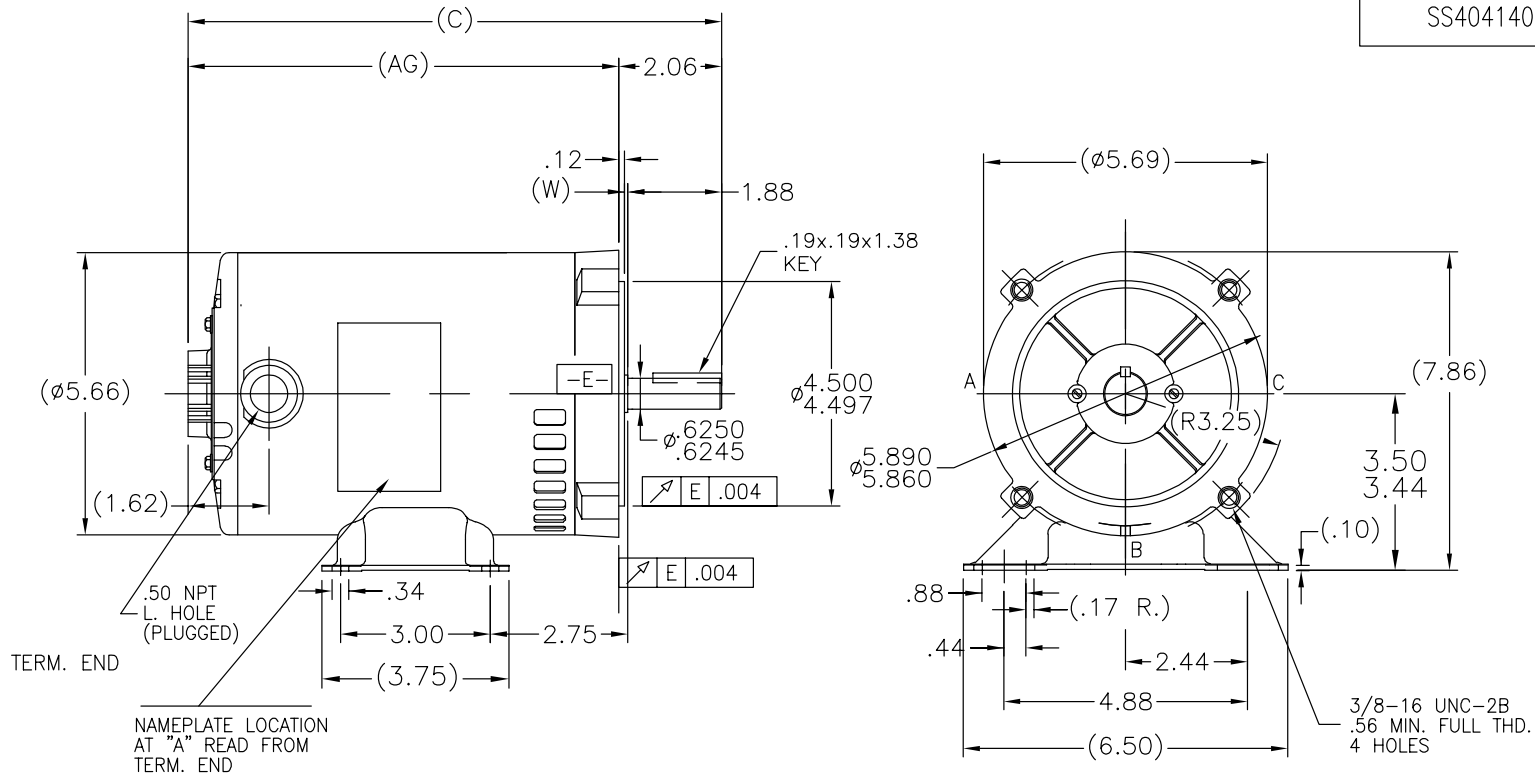
Output HP	1/3 Hp	Output KW	0.25 kW
Frequency	60 Hz	Voltage	230/460 V
Current	1.4/7 A	Speed	1140 rpm
Service Factor	1.35	Phase	3
Duty	Continuous	Insulation Class	B
Frame	56C	Enclosure	Drip Proof
Thermal Protection	None	Ambient Temperature	40 °C
UL	Recognized	CSA	N
CE	Y		

Technical Specifications

Electrical Type	Three Phase	Starting Method	Across The Line
Poles	6	Rotation	Reversible
Mounting	Rigid base	Drive End Bearing	Ball
Opp Drive End Bearing	Ball	Frame Material	Rolled Steel
Shaft Type	Keyed	Overall Length	12.44 in
Frame Length	8.50 in	Shaft Diameter	0.625 in
Shaft Extension	2.06 in		

This is an uncontrolled document once printed or downloaded and is subject to change without notice. Date Created:30/10/2019

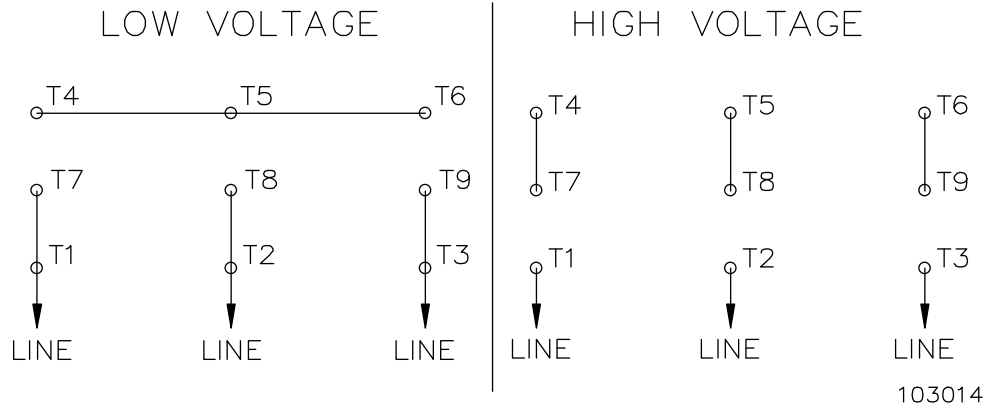
SS404140



DASH	C	AG		DASH	C	AG	
625	10.19	8.13		725	11.19	9.13	
650	10.44	8.38		750	11.44	9.38	
675	10.69	8.63		775	11.69	9.63	
700	10.94	8.88		800	11.94	9.88	
				850	12.44	10.38	

'W' = CLEARANCE ALLOWED FOR ALL VARIANCES
IN MANUFACTURING & ASSEMBLY

			TOLERANCES UNLESS SPECIFIED		REGAL™ Regal Beloit America, Inc.	DRAWN	PVR	01/02/15			
			DEC.	INCHES		CHK	SM	01/02/15			
			.X	±.1	TITLE	APPD					
			.XX	±.03		SCALE	3=8				
			.XXX	±.005		REF	SS404135				
1	ADDED DASH# 850	SAJ 1/19/15	PI	.XXXX	±.0005	MAT'L.					
NO.	REVISION	BY & DATE	CHK	ANG	±7'30"	FINISH					
THIS DRAWING IN DESIGN AND DETAIL IS OUR PROPERTY AND MUST NOT BE USED EXCEPT IN CONNECTION WITH OUR WORK ALL RIGHTS OF DESIGN AND INVENTION ARE RESERVED THIS IS AN ELECTRONICALLY GENERATED DOCUMENT - DO NOT SCALE THIS PRINT			RFP	CAD FILE		SS404140	SIZE	DRAWING NO.	PAGE	1 OF 1	REV.
			DIST	WP			A	SS404140			1



TO REVERSE ROTATION, INTERCHANGE ANY TWO LINE LEADS

PLATE: 41365

SLOT: 22

		TOLERANCES UNLESS SPECIFIED				DRAWN TOM 08-14-1989	
		DEC.	INCHES			CHK	ML 08-14-1989
			.X	±.1		APPD	GK 08-14-1989
4	ADDED REVERSAL NOTE	SVL 10-14-2013	.XX	±.02	TITLE CONNECTION DIGRAM	SCALE	1=1
3	REDRAWN IN AUTOCAD	TAT 09-16-2004	ML .XXX	±.005		REF	
2	REDRAWN - NEW FORMAT	TOM 08-14-1989	.XXXX	±.0005	MAT'L.	FMF	
NO.	REVISION	BY & DATE	CHK	ANG	±7'30"	FINISH	PREV
THIS DRAWING IN DESIGN AND DETAIL IS OUR PROPERTY AND MUST NOT BE USED EXCEPT IN CONNECTION WITH OUR WORK ALL RIGHTS OF DESIGN AND INVENTION ARE RESERVED THIS IS AN ELECTRONICALLY GENERATED DOCUMENT - DO NOT SCALE THIS PRINT			RFP	CAD FILE 103014		SIZE	DRAWING NO. PAGE OF REV.
			DIST	WP		A	103014 4