

# PRODUCT INFORMATION PACKET



Model No: GF2034D

Catalog No: GF2034D

1/3 HP Fan and Blower HVAC/R Motor, 1 phase, 1800 RPM, 115/230 V, 48 Frame, OPEN  
Self Cooled Motors



Regal and Century are trademarks of Regal Beloit Corporation or one of its affiliated companies.

©2019 Regal Beloit Corporation, All Rights Reserved. MC017097E

REGAL



**Nameplate Specifications**

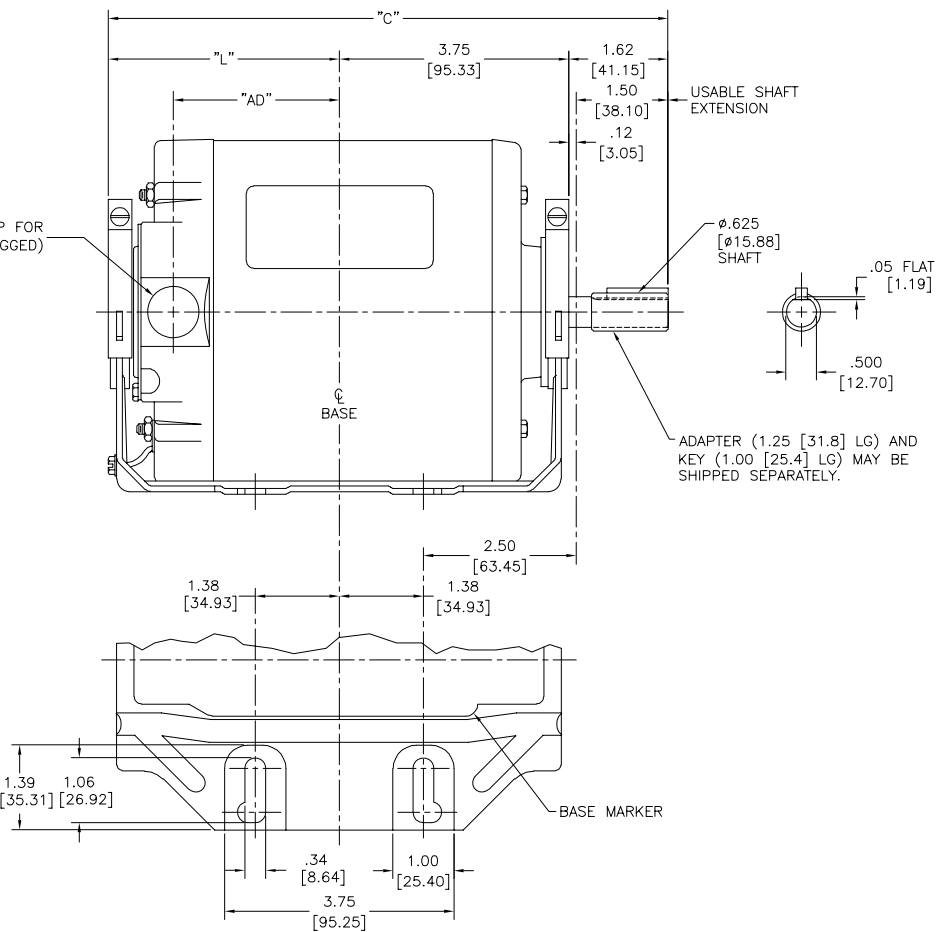
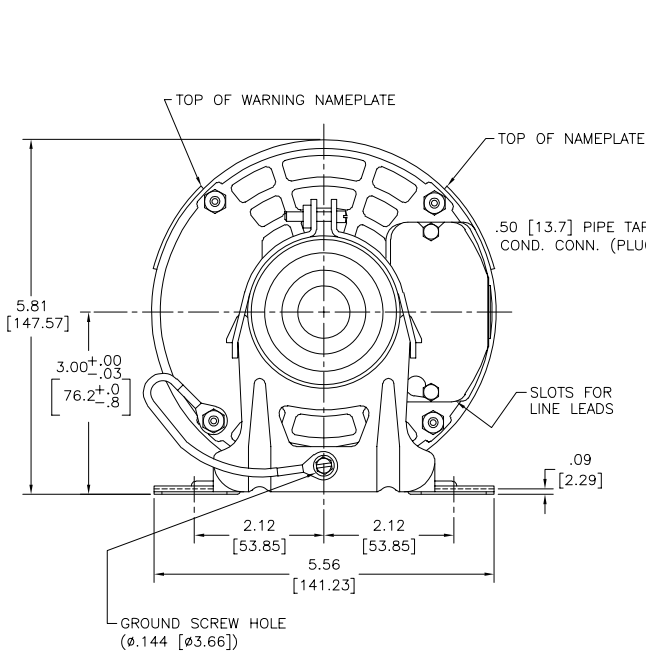
Output HP	<b>1/3 Hp</b>	Output KW	<b>0.25 kW</b>
Frequency	<b>60 Hz</b>	Voltage	<b>115/230 V</b>
Current	<b>6.0/3.0 A</b>	Speed	<b>1725 rpm</b>
Service Factor	<b>1.35</b>	Phase	<b>1</b>
Duty	<b>Continuous</b>	Insulation Class	<b>B</b>
Frame	<b>48</b>	Enclosure	<b>Open Enclosed</b>
Thermal Protection	<b>Automatic</b>	Ambient Temperature	<b>40 °C</b>
UL	<b>No</b>	CSA	<b>Y</b>
CE	<b>N</b>		

**Technical Specifications**

Electrical Type	<b>Split Phase</b>	Starting Method	<b>Across The Line</b>
Poles	<b>4</b>	Rotation	<b>Reversible</b>
Mounting	<b>Resilient Base</b>	Drive End Bearing	<b>Sleeve</b>
Opp Drive End Bearing	<b>Sleeve</b>	Frame Material	<b>Rolled Steel</b>
Shaft Type	<b>Keyed</b>	Overall Length	<b>8.90 in</b>
Frame Length	<b>4.94 in</b>	Shaft Diameter	<b>0.625 in</b>
Shaft Extension	<b>1.62 in</b>		

This is an uncontrolled document once printed or downloaded and is subject to change without notice. Date Created:30/10/2019

REV	ECO	REV BY	DATE	APPD	DATE
M	0026351	R.LIAN	05-25-2012	B.SHEN	05-25-2012



4708EM	S48F05A01	D48	9.90	[251.5]	4.53	[115.4]	3.47	[88.1]
4706EM	S48F04A01	B48	9.40	[238.8]	4.03	[102.4]	2.97	[75.4]
4701EM	S48F03A01	A48	9.15	[232.4]	3.78	[96.0]	2.72	[69.1]
-----	-----	48	8.90	[226.1]	3.53	[89.7]	2.47	[62.7]
-----	-----	D48	9.90	[251.5]	4.53	[115.4]	3.47	[88.1]
-----	-----	B48	9.40	[238.8]	4.03	[102.4]	2.97	[75.4]
-----	-----	A48	9.15	[232.4]	3.78	[96.0]	2.72	[69.1]
CUSTOMER MODEL	MODEL NUMBER	FRAME	ENGLISH	METRIC	ENGLISH	METRIC	ENGLISH	METRIC
			"C"		"L"		"AD"	

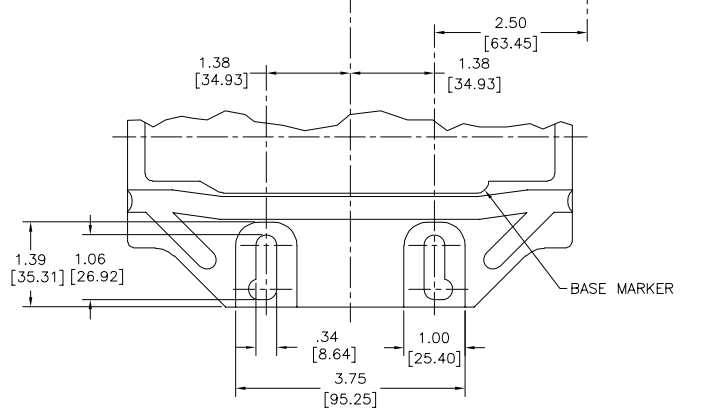
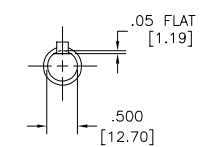
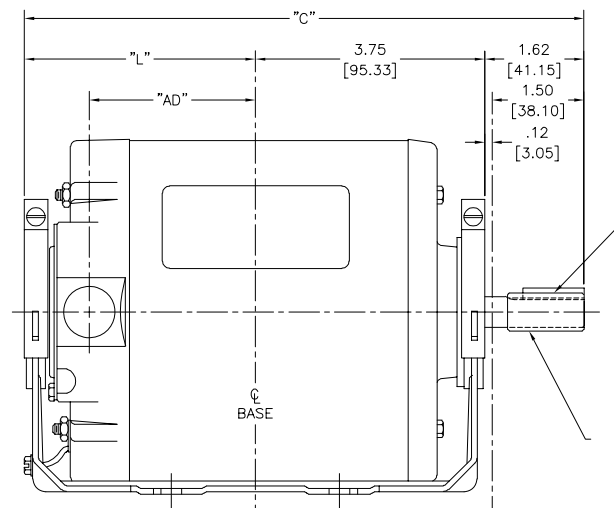
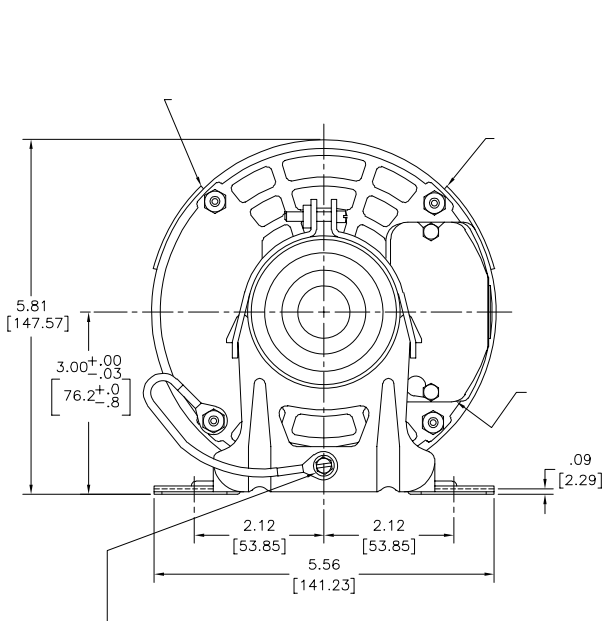
GEOMETRIC CHARACTERISTICS & SYMBOLS  
 ▽ FLATNESS  
 - STRAIGHTNESS  
 < ANGLARITY  
 ⊥ PERPENDICULARITY (SQUARENESS)  
 // PARALLELISM  
 ○ ROUNDNESS (CIRCULARITY)  
 ⌀ CYLINDRICITY  
 ~ PROFILE OF ANY SURFACE  
 ~ PROFILE OF ANY LINE  
 † RUNOUT  
 \* TRUE POSITION  
 ⊙ CONCENTRICITY  
 = SYMMETRY  
 ASME Y14.5M 1994

UNLESS OTHERWISE SPECIFIED  
 DIM. TOLERANCES ARE AS FOLLOWS:  
 INCH X XX XXX XXXX  
 mm ±.1 ±.02 ±.005 ±.0005  
 mm ±0.5 ±0.13 ±0.013  
 ANG. ±.50 DEG  
 REMOVE BURRS & BREAK SHARP EDGES:  
 INCH .003-.015 mm 0.1-.04  
 CORNER FILLETS TO:  
 INCH .020 mm 0.5  
 MACHINE SURFACES:  
 INCH 125 mm 3.2  
 METRIC DIMS. SHOWN IN [BRACKETS]

DR BY:	DHH	06-24-1974
APPD:	BH	06-27-1974
THIRD ANGLE PROJECTION	EDS DATE 11-11-2011 FORMAT REV H	
CONFIDENTIAL: THIS DRAWING AND ITS INFORMATION ARE THE EXCLUSIVE AND CONFIDENTIAL PROPERTY OF REGAL-BELOIT CORPORATION AND ARE NOT TO BE DISCLOSED, DUPLICATED, DISTRIBUTED OR OTHERWISE USED WITHOUT THE WRITTEN CONSENT OF REGAL-BELOIT CORPORATION. -ALL RIGHTS RESERVED.		

<b>REGAL</b> REGAL-BELOIT CORPORATION	
DESCRIPTION OUTLINE	
SIZE C	DWG NO 1011B50
SCALE NONE	SHEET 1

REVISION:	ECO	REVISADO POR:	FECHA:	APROBADO POR:	FECHA:
M	0026351	R.LIAN	05-25-2012	B.SHEN	05-25-2012



4708EM	S48F05A01	D48	9.90	[251.5]	4.53	[115.4]	3.47	[88.1]
4706EM	S48F04A01	B48	9.40	[238.8]	4.03	[102.4]	2.97	[75.4]
4701EM	S48F03A01	A48	9.15	[232.4]	3.78	[96.0]	2.72	[69.1]
-----	-----	48	8.90	[226.1]	3.53	[89.7]	2.47	[62.7]
-----	-----	D48	9.90	[251.5]	4.53	[115.4]	3.47	[88.1]
-----	-----	B48	9.40	[238.8]	4.03	[102.4]	2.97	[75.4]
-----	-----	A48	9.15	[232.4]	3.78	[96.0]	2.72	[69.1]

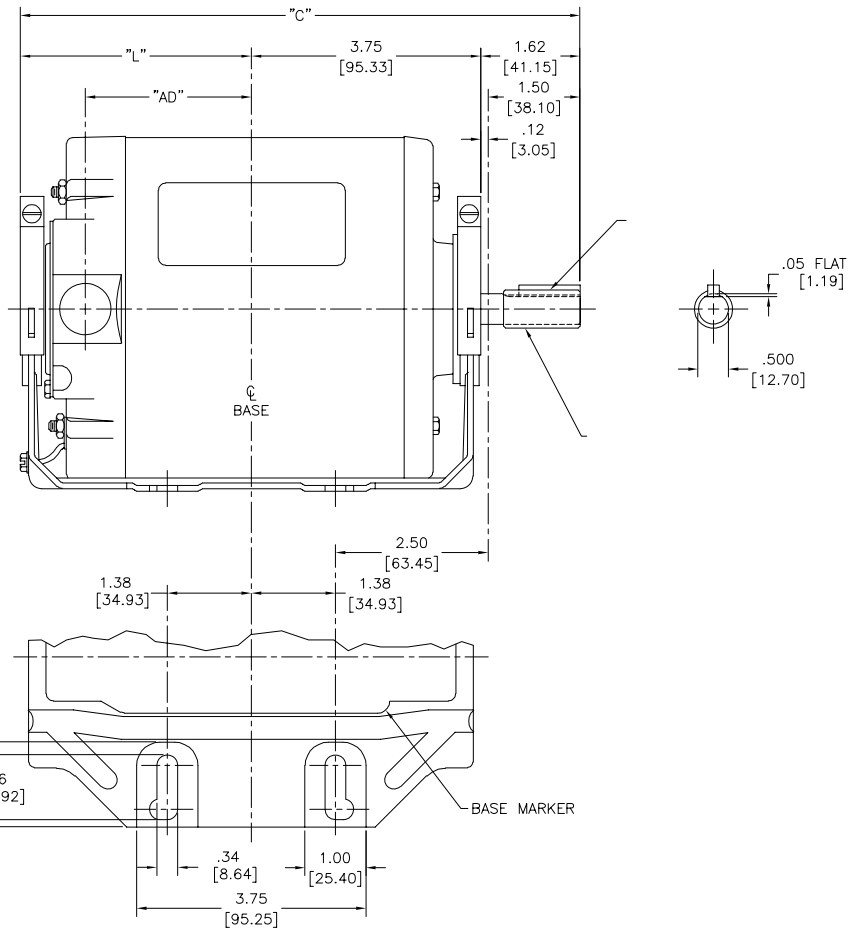
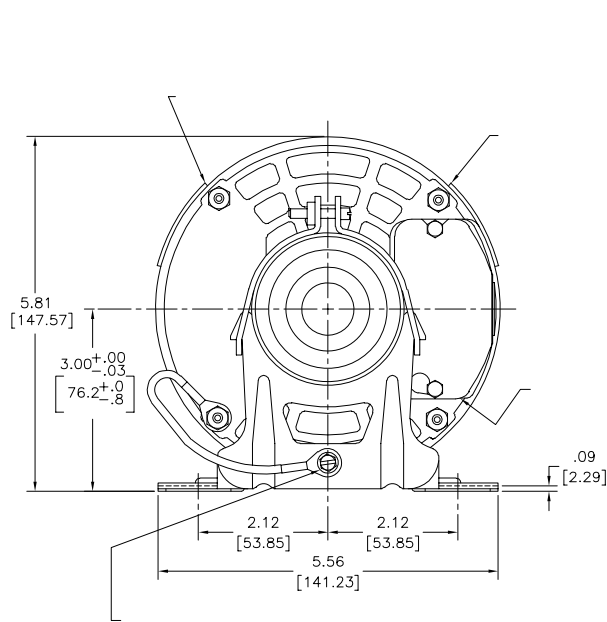
CARACTERISTICAS DE GEOMETRIA Y SIMBOLOS  
 ▽ PLANICIDAD  
 - RECTITUD  
 < ANGULARIDAD  
 ⊥ PERPENDICULARIDAD (A ESCUADRA)  
 // PARALELISMO  
 R REDONDEZ (CIRCULARIDAD)  
 A CILINDRICIDAD  
 ⊖ PERFIL DE CUALQUIER SUPERFICIE  
 ⊖ PERFIL DE CUALQUIER LINEA  
 † VARIACION  
 ⊕ POSICION REAL  
 ⊙ CONCENRICIDAD  
 ≡ SIMETRIA

A MENOS QUE SE ESPECIFIQUE DE OTRA MANERA, LAS TOLERANCIAS DE LAS DIMS: SON LAS SIGUIENTES:  
 X XX XXX XXXX  
 PULG ±.1 ±.02 ±.005 ±.0005  
 mm ±0.5 ±0.13 ±0.013  
 ANG. ±50 GRADOS  
 ELIMINAR REBABAS Y ORILLAS FILOSAS DEL BORDE.  
 PULG .003-.015 mm 0.1-.04  
 FILETEAR ESQUINA: PULG .020 mm 0.5  
 MAQUINAR SUPERFICIES  
 PULG .125 mm .32

DIBUJADO POR: DHH 06-24-1974  
 APROBADO POR: BH 06-27-1974  
 TERCER ANGULO DE PROYECCION  
 CONFIDENCIAL: ESTE DIBUJO Y SU INFORMACION SON PROPIEDAD DE USO EXCLUSIVO Y CONFIDENCIAL DE REGAL-BELOIT CORPORATION. Y NO DEBERAN SER REVELADOS, DUPLICADOS, DISTRIBUIDOS O USARSE DE OTRA MANERA SIN EL CONSENTIMIENTO ESCRITO DE REGAL-BELOIT CORPORATION. -TODOS LOS DERECHOS RESERVADOS.

**REGAL REGAL-BELOIT CORPORATION**  
 DESCRIPCION: OUTLINE  
 TAMAÑO: C NUMERO DE DIBUJO: 1011B50  
 ESCALA: NONE HOJA: 1

版本	ECO	编制	日期	批准	日期
M	0026351	R.LIAN	05-25-2012	B.SHEN	05-25-2012



4708EM	S48F05A01	D48	9.90	[251.5]	4.53	[115.4]	3.47	[88.1]
4706EM	S48F04A01	B48	9.40	[238.8]	4.03	[102.4]	2.97	[75.4]
4701EM	S48F03A01	A48	9.15	[232.4]	3.78	[96.0]	2.72	[69.1]
-----	-----	48	8.90	[226.1]	3.53	[89.7]	2.47	[62.7]
-----	-----	D48	9.90	[251.5]	4.53	[115.4]	3.47	[88.1]
-----	-----	B48	9.40	[238.8]	4.03	[102.4]	2.97	[75.4]
-----	-----	A48	9.15	[232.4]	3.78	[96.0]	2.72	[69.1]
				"C"		"L"		"AD"

形位公差	除另有注明
□ 平面度	尺寸公差如下:
— 直线度	英寸 X XX XXX XXXX
∠ 倾斜度	毫米 ±.1 ±.02 ±.005 ±.0005
⊥ 垂直度	英寸 ±0.5 ±0.13 ±0.013
∥ 平行度	角度 ±.50 度
○ 圆度	清理毛刺和尖棱
⊙ 圆柱度	英寸 .003-.015 毫米 0.1-0.4
⊖ 面轮廓度	内圆角
⌒ 线轮廓度	英寸 .020 毫米 0.5
↻ 圆跳动	表面粗糙度
⊕ 位置度	英制 125 米制 3.2
↔ 对称度	米制尺寸显示在 [ ]

ASME Y14.5M 1994

绘图:	DHH	06-24-1974
批准:	BH	06-27-1974
第三角投影	图框格式发布日期 11-11-2011	图框格式版本 H
机密: 本图纸及相关信息所有权归REGAL-BELOIT CORPORATION. 未经REGAL-BELOIT CORPORATION书面授权, 不得泄露、复制、传播或作其他用途。--版权所有		

<b>REGAL</b>	<b>REGAL-BELOIT CORPORATION</b>
名称	OUTLINE
图幅	C
图号	1011B50
比例	NONE
页号	1