

PRODUCT INFORMATION PACKET



Model No: F681V1
Catalog No: F681V1

3/4 HP Fan and Blower HVAC/R Motor, 1 phase, 1800 RPM, 115/230 V, 56 Frame, ODP
Self Cooled Motors



Regal and Century are trademarks of Regal Beloit Corporation or one of its affiliated companies.
©2019 Regal Beloit Corporation, All Rights Reserved. MC017097E

The REGAL logo consists of the word 'REGAL' in a bold, white, sans-serif font, set against a dark gray rectangular background with a slight shadow effect.

REGAL



Nameplate Specifications

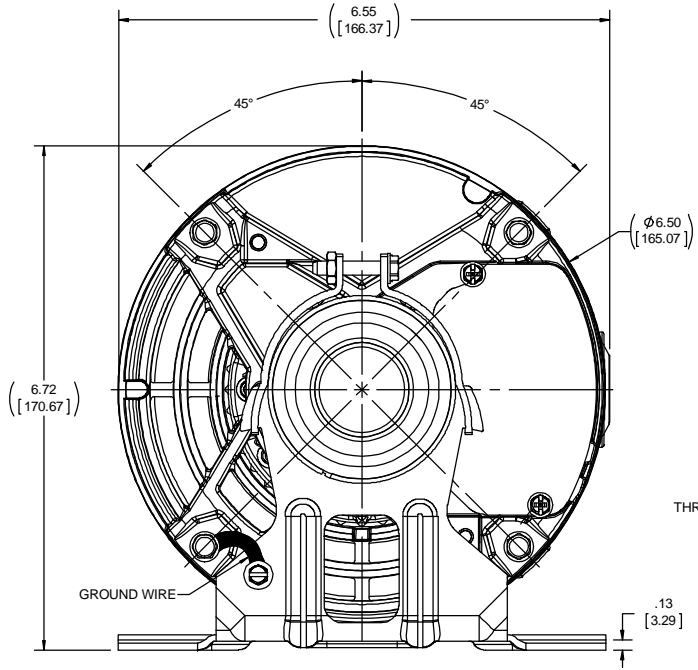
Output HP	3/4 Hp	Output KW	0.56 kW
Frequency	60 Hz	Voltage	115/230 V
Current	9.6/4.8 A	Speed	1725/1425 rpm
Service Factor	1.25	Phase	1
Duty	Continuous	Insulation Class	B
Frame	56	Enclosure	Drip Proof
Thermal Protection	Thermally Protected	Ambient Temperature	40 °C
UL	Recognized	CSA	Y
CE	Y		

Technical Specifications

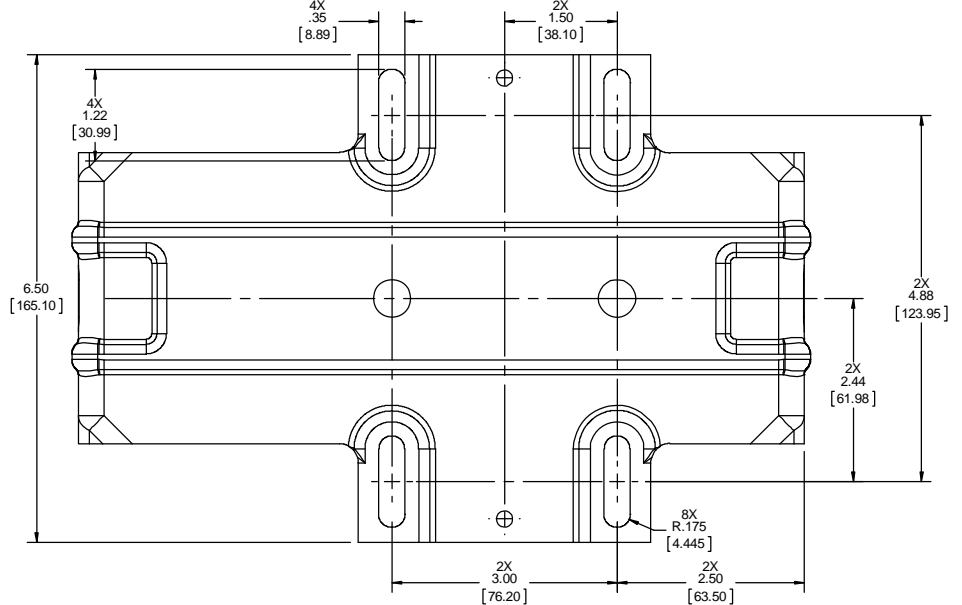
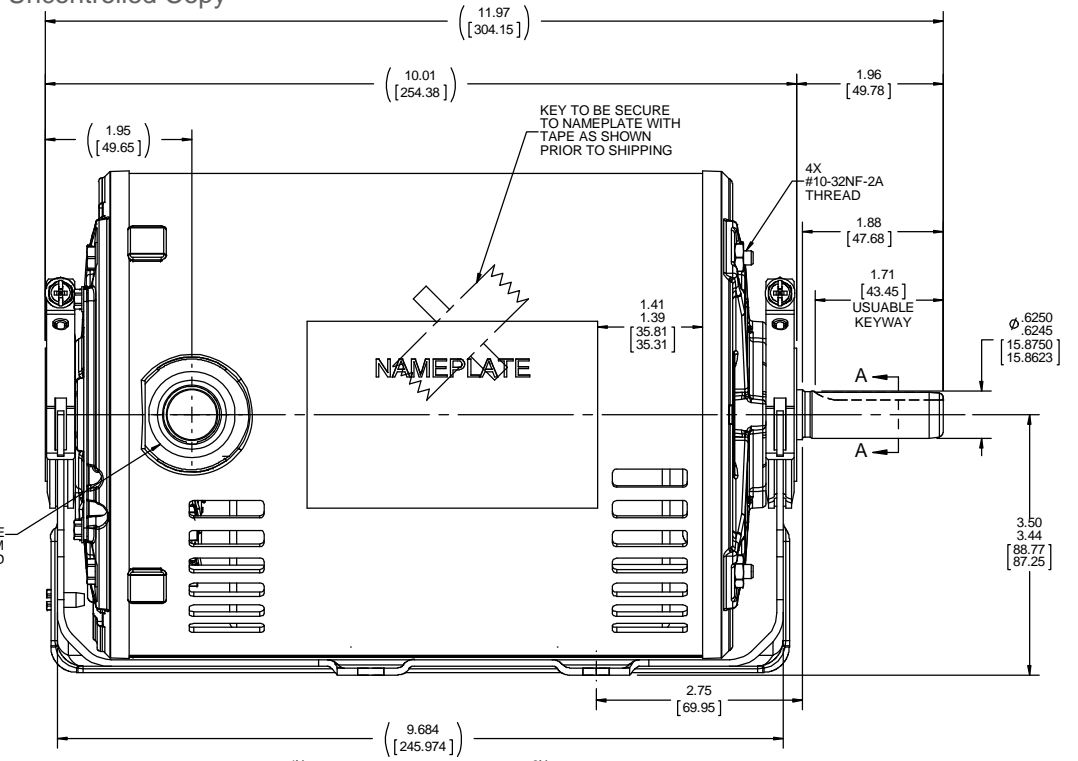
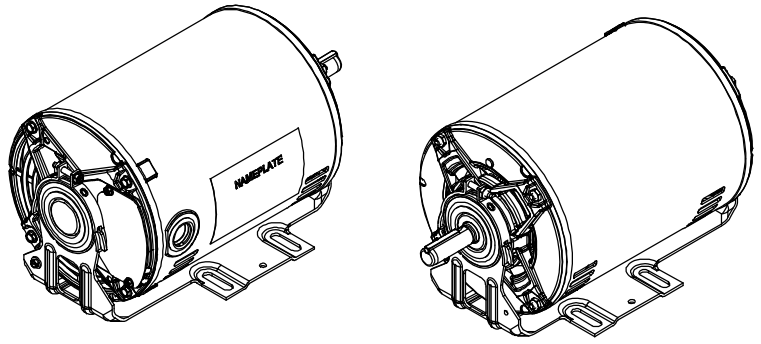
Electrical Type	Split Phase	Starting Method	Across The Line
Poles	4	Rotation	Counterclockwise
Mounting	Resilient Base	Drive End Bearing	Ball
Opp Drive End Bearing	Ball	Frame Material	Rolled Steel
Shaft Type	NEMA 56	Overall Length	12.04 in
Frame Length	5.50 in	Shaft Diameter	0.625 in
Shaft Extension	1.95 in		

This is an uncontrolled document once printed or downloaded and is subject to change without notice. Date Created:30/10/2019

Uncontrolled Copy



SECTION A-A



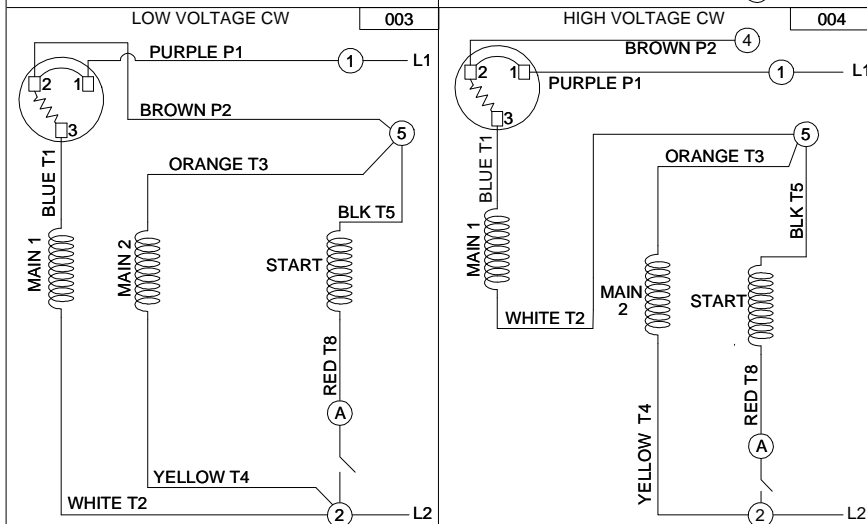
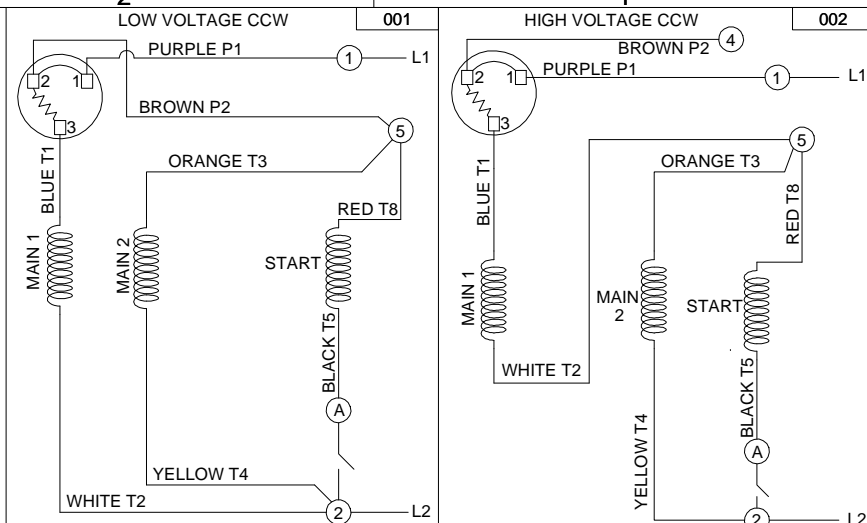
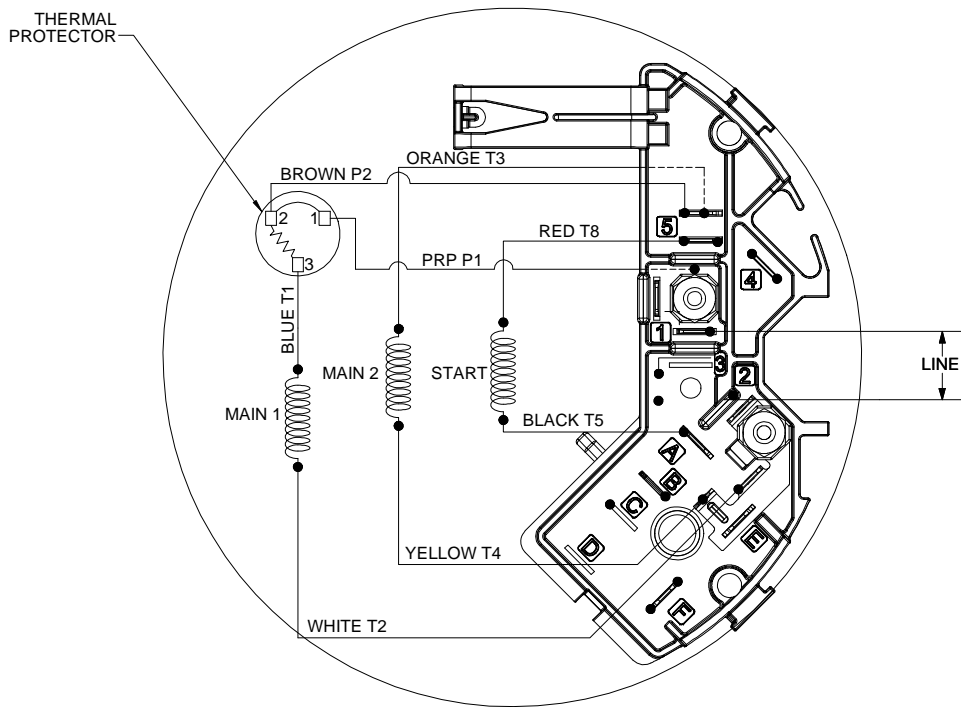
DRAWING REVISION B	REVISION BY SHESHI	DATE 01/10/2019	TOLERANCES UNLESS OTHERWISE SPECIFIED: DEC. INCH mm ANGLE	DRAWN BY J.RUIZ	Regal Beloit America, Inc.
ECO-0159763	APPROVED BY D.SURYAWANSHI	DATE 01/10/2019	.X ±0.1 [2.5] .XX ±0.03 [0.76] .XXX ±0.005 [0.127] .XXXX ±0.0005 [±0.0127]	DATE 06-10-2016	
ECO DESCRIPTION UPDATED MOTOR ASSY			REMOVE BURRS & BREAK SHARP EDGES: .0031 [0.078] X 45° CORNER FILLETS: R.02 [51]	APPROVED BY J.ORTEGA	DESCRIPTION OUTLINE 56FR,DP,1-PHASE
<small>COPYRIGHT REGAL BELOIT AMERICA, INC. ALL RIGHTS RESERVED. PROPRIETARY AND CONFIDENTIAL INFORMATION. THIS DOCUMENT IS THE PROPERTY OF REGAL BELOIT AMERICA, INC. OWNERS AND CONTAINS OWNERS PROPRIETARY INFORMATION. ANY PERSON, CORPORATION OR OTHER FIRM RECEIVING IT IS DEEMED BY RECEIVING IT, TO AGREE THAT IT, AND/OR ANY PART OF IT, SHALL NOT BE DISCLOSED TO ANY PERSON, CORPORATION OR OTHER ENTITY, DUPLICATED, AND/OR USED, EXCEPT AS EXPRESSLY APPROVED IN WRITING IN ADVANCE BY OWNER. THIS DOCUMENT SHALL BE RETURNED TO OWNER UPON REQUEST. IT MAY BE SUBJECT TO CERTAIN RESTRICTIONS UNDER APPLICABLE EXPORT CONTROL LAWS AND REGULATIONS.</small>			MACHINED SURFACES: .125 / 3.2 INCH/ mm SHOWN IN [BRACKETS]	DATE 06-10-2016	MATERIAL
				REFERENCE F8B1	PROCESS/FINISH
				THIRD ANGLE PROJECTION	SIZE DRAWING NUMBER C OL56100106-001
					SHEET 1 OF 1

B

B

A

A



- NOTES:
1. FOR HI VOLTAGE REMOVE BROWN P2 FROM TERMINAL #4 AND PLACE ON TERMINAL #5. REMOVE WHITE T2 FROM TERMINAL #2 AND PLACE ON TERMINAL #5.
 2. TO REVERSE ROTATION, INTERCHANGE RED T8 AND BLACK T5.
 3. TERMINAL BOARD ASSY: 10003285-001-001.
 4. CONN DIAGRAM-NAMEPLATE DD10111-001.

DRAWING REVISION B	REVISION BY D.SURYAWANSHI	DATE 06/29/2018
ECO ECO-0147976	APPROVED BY CD	DATE 06/29/2018
ECO DESCRIPTION POST 2 WAS E AND UPDAED NOTE 3.		
<small> COPYRIGHT REGAL BELOIT AMERICA, INC. ALL RIGHTS RESERVED. PROPRIETARY AND CONFIDENTIAL INFORMATION - THIS DOCUMENT IS THE PROPERTY OF REGAL BELOIT AMERICA, INC. (OWNER) AND CONTAINS OWNER'S PROPRIETARY INFORMATION. ANY PERSON, CORPORATION OR OTHER FIRM RECEIVING IT IS DEEMED, BY RECEIVING IT, TO AGREE THAT IT, AND/OR ANY PART OF IT, SHALL NOT BE DISCLOSED TO ANY PERSON, CORPORATION OR OTHER ENTITY, DUPLICATED, AND/OR USED, EXCEPT AS EXPRESSLY APPROVED IN WRITING IN ADVANCE BY OWNER. THIS DOCUMENT SHALL BE RETURNED TO OWNER UPON REQUEST. IT MAY BE SUBJECT TO CERTAIN RESTRICTIONS UNDER APPLICABLE EXPORT CONTROL LAWS AND REGULATIONS. </small>		

TOLERANCES UNLESS OTHERWISE SPECIFIED:			
DEC.	INCH	mm	ANGLE
.X	±0.1	[+2.5]	±0.5°
.XX	±0.01	[+0.25]	
.XXX	±0.005	[+0.127]	
.XXXX	±0.0005	[+0.0127]	
REMOVE BURRS & BREAK SHARP EDGES: .003/.015 [076/.381] X 45°			
CORNER FILLETS: R.02 [51]			
MACHINED SURFACES: 125/3.2			
mm SHOWN IN [BRACKETS]			

DRAWN BY G. RODRIGUEZ	DATE 02-13-2018
APPROVED BY R. GRAJEDA	DATE 02-13-2018
REFERENCE	
THIRD ANGLE PROJECTION	

Regal Beloit America, Inc.	
DESCRIPTION CONN DIAGRAM-EXTERNAL	
MATERIAL	PROCESS/FINISH
SIZE B	DRAWING NUMBER CDS113
	SHEET 1 OF 1