

PRODUCT INFORMATION PACKET



Model No: F502V1
Catalog No: F502V1
.5 HP Belt Drive Fan Motor, 1 phase, 1800 RPM, 115/230 V, 56 Frame, TEAO
Belt Drive Fan Motors



Regal and Century are trademarks of Regal Beloit Corporation or one of its affiliated companies.
©2019 Regal Beloit Corporation, All Rights Reserved. MC017097E





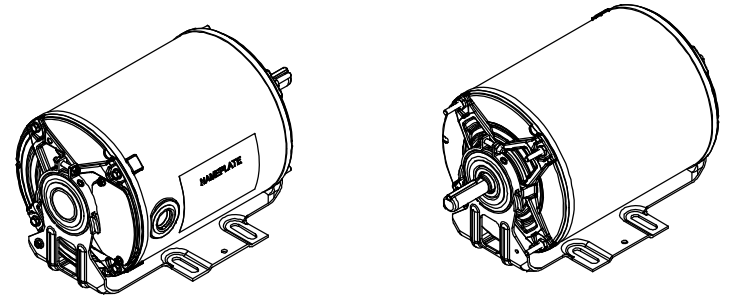
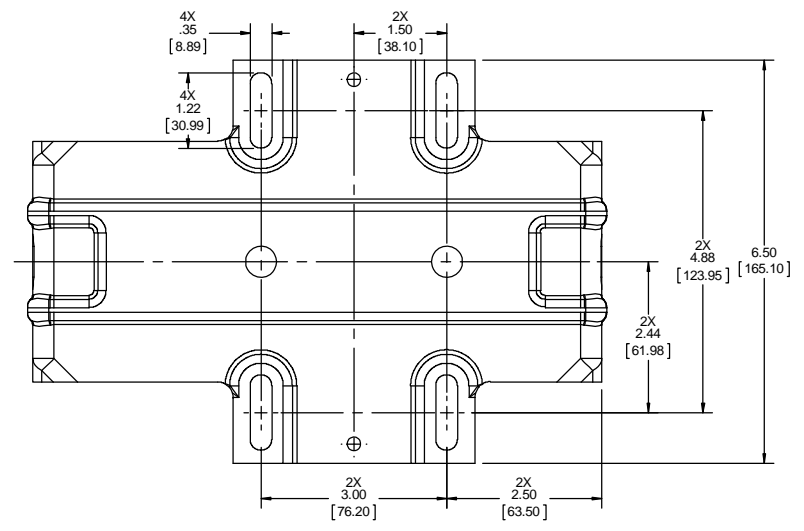
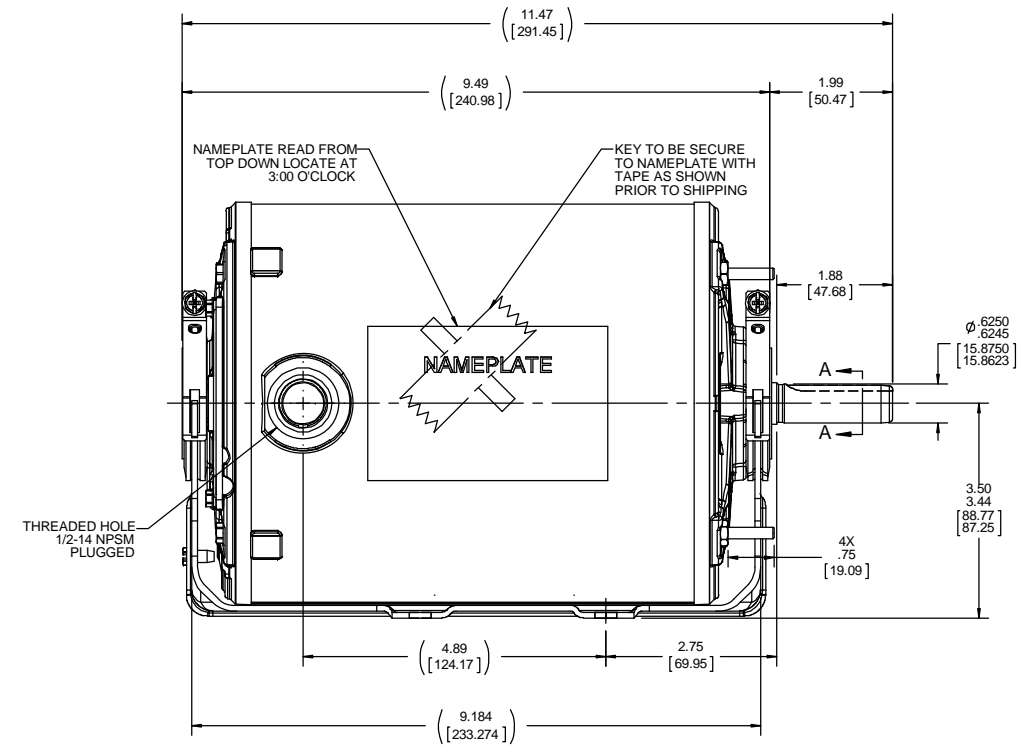
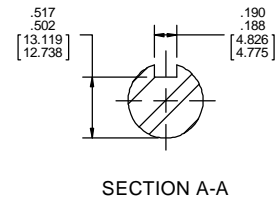
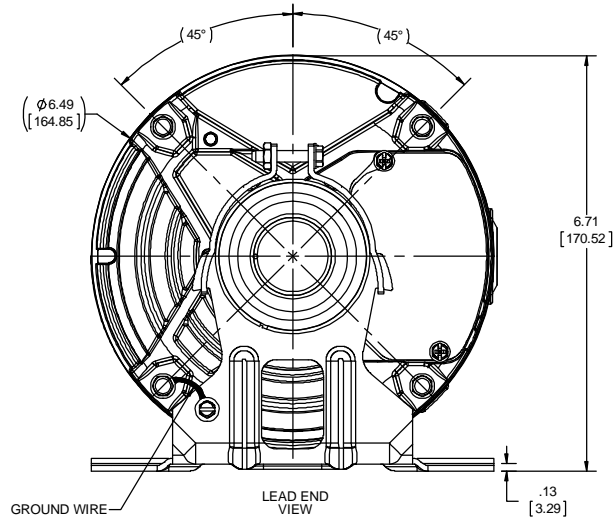
Nameplate Specifications

Output HP	.5 Hp	Output KW	0.37 kW
Frequency	60 Hz	Voltage	115/230 V
Current	7.2/3.6 A	Speed	1725 rpm
Service Factor	1	Phase	1
Duty	Continuous	Insulation Class	B
Frame	56	Enclosure	Totally Enclosed Air Over
Thermal Protection	Thermally Protected	Ambient Temperature	40 °C
UL	Recognized	CSA	Y
CE	N		

Technical Specifications

Electrical Type	Split Phase	Starting Method	Across The Line
Poles	4	Rotation	Selective Counterclockwise
Mounting	Resilient Base	Drive End Bearing	Ball
Opp Drive End Bearing	Ball	Frame Material	Rolled Steel
Shaft Type	NEMA 56	Overall Length	11.47 in
Frame Length	7.15 in	Shaft Diameter	0.625 in
Shaft Extension	1.88 in		

This is an uncontrolled document once printed or downloaded and is subject to change without notice. Date Created:30/10/2019



DRAWING REVISION A		REVISION BY	DATE	TOLERANCES UNLESS OTHERWISE SPECIFIED:			DRAWN BY D. SURYAWANSHI	Regal Beloit America, Inc.	
ECO-0147976	APPROVED BY	DATE	DEC.	INCH	mm	ANGLE	DATE 07/04/2018		
NEW DRAWING RELEASE				.X	\pm 0.1	[\pm 2.5]	APPROVED BY SM	DESCRIPTION OUTLINE	
COPYRIGHT REGAL BELOIT AMERICA, INC. ALL RIGHTS RESERVED. PROPRIETARY AND CONFIDENTIAL INFORMATION. THIS DOCUMENT IS THE PROPERTY OF REGAL BELOIT AMERICA, INC. FORMERLY AND CONTAINING OWNERS PROPRIETARY INFORMATION. ANY PERSON, CORPORATION OR OTHER FIRM RECEIVING IT IS DEEMED TO HAVE AGREED TO AGREE THAT IT, AND/OR ANY PART OF IT, SHALL NOT BE DISCLOSED TO ANY PERSON, CORPORATION OR OTHER ENTITY, DUPLICATED, AND/OR USED, EXCEPT AS EXPRESSLY APPROVED IN WRITING IN ADVANCE BY OWNER. THIS DOCUMENT SHALL BE RETURNED TO OWNER UPON REQUEST. IT MAY BE SUBJECT TO CERTAIN RESTRICTIONS UNDER APPLICABLE EXPORT CONTROL LAWS AND REGULATIONS.				.XXX	\pm 0.005	[\pm 0.127]	DATE 07/04/2018	PROCESS/FINISH	
				.XXXX	\pm 0.0005	[\pm 0.0127]	REFERENCE OLM180504	SIZE C	
				REMOVE BURRS & BREAK SHARP EDGES: .0031 [0.076] X 45° CORNER FILLETS: R. 02 [51]			THIRD ANGLE PROJECTION	DRAWING NUMBER OL56100497-001	SHEET 1 OF 1
				MACHINED SURFACES: 125/32 INCH/mil					