

PRODUCT INFORMATION PACKET



Model No: F439ES
Catalog No: F439ES
1/2 HP General Purpose Motor, 1 phase, 1800 RPM, 115 V, 48 Frame, ODP
Single Phase ODP Motors



Regal and Century are trademarks of Regal Beloit Corporation or one of its affiliated companies.
©2019 Regal Beloit Corporation, All Rights Reserved. MC017097E

REGAL



Nameplate Specifications

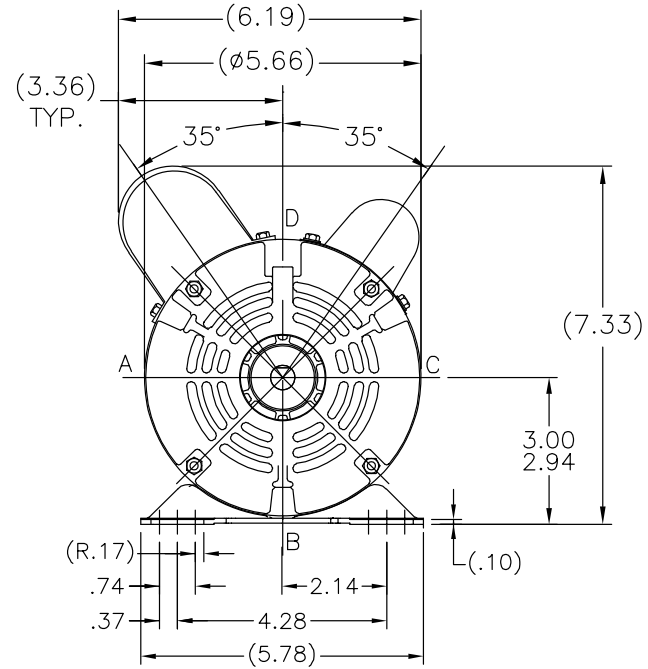
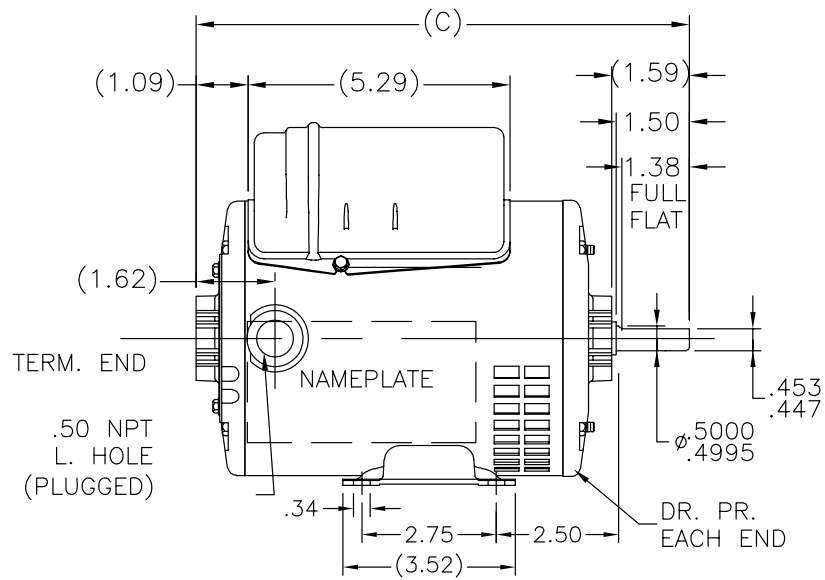
Output HP	1/2 Hp	Output KW	0.37 kW
Frequency	60 Hz	Voltage	115 V
Current	4.6 A	Speed	1725 rpm
Service Factor	1	Phase	1
Duty	Continuous	Insulation Class	B
Frame	48	Enclosure	Drip Proof
Thermal Protection	None	Ambient Temperature	40 °C
UL	Recognized	CSA	N
CE	Y		

Technical Specifications

Electrical Type	Shaded Pole	Starting Method	Across The Line
Poles	4	Rotation	Reversible Counterclockwise
Mounting	Rigid base	Drive End Bearing	Ball
Opp Drive End Bearing	Ball	Frame Material	Rolled Steel
Shaft Type	Flat	Overall Length	11.09 in
Frame Length	7.50 in	Shaft Diameter	0.500 in
Shaft Extension	1.59 in		

This is an uncontrolled document once printed or downloaded and is subject to change without notice. Date Created:30/10/2019

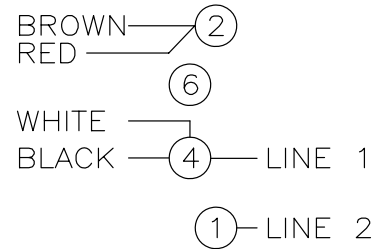
SS404146



DASH	FR	C	DASH	FR	C
625	48	9.84	725	48	10.84
650	48	10.09	750	48	11.09
675	48	10.34	775	48	11.34
700	48	10.59	800	48	11.59

NO.	REVISION	BY & DATE	TOLERANCES UNLESS SPECIFIED		REGAL™ Regal Beloit America, Inc.	DRAWN	PVR	01/16/15	
			DEC.	INCHES		CHK	AB	01/16/15	
			.X	±.1	TITLE OUTLINE 48 FRAME	APPD			
			.XX	±.03		SCALE	1:1		
			.XXX	±.005		REF	SS404113		
			.XXXX	±.0005		MAT'L.	FMF	F439ES	
			CHK	ANG	±7'30"	FINISH	PREV		
THIS DRAWING IN DESIGN AND DETAIL IS OUR PROPERTY AND MUST NOT BE USED EXCEPT IN CONNECTION WITH OUR WORK ALL RIGHTS OF DESIGN AND INVENTION ARE RESERVED THIS IS AN ELECTRONICALLY GENERATED DOCUMENT - DO NOT SCALE THIS PRINT			RFP	CAD FILE SS404146		SIZE	DRAWING NO.	PAGE 1 OF 1	REV.
			DIST	WP		A	SS404146		

951341E



ROTATION CCW—OPE TO REVERSE
 INTERCHANGE BLACK WITH RED LEADS

			TOLERANCES UNLESS SPECIFIED			DRAWN SAJ 12/29/14	
			DEC.	INCHES		CHK CH 12/29/14	
			.X	±.1		APPD	
			.XX	±.02	TITLE CONNECTION DIAGRAM	SCALE 1=1	
			.XXX	±.005		REF	
			.XXXX	±.0005	MAT'L.	FMF	
NO.	REVISION	BY & DATE	CHK	ANG	±7'30"	FINISH	PREV
THIS DRAWING IN DESIGN AND DETAIL IS OUR PROPERTY AND MUST NOT BE USED EXCEPT IN CONNECTION WITH OUR WORK ALL RIGHTS OF DESIGN AND INVENTION ARE RESERVED THIS IS AN ELECTRONICALLY GENERATED DOCUMENT – DO NOT SCALE THIS PRINT			RFP	CAD FILE 951341E		SIZE A	DRAWING NO. 951341E
			DIST				PAGE OF REV.